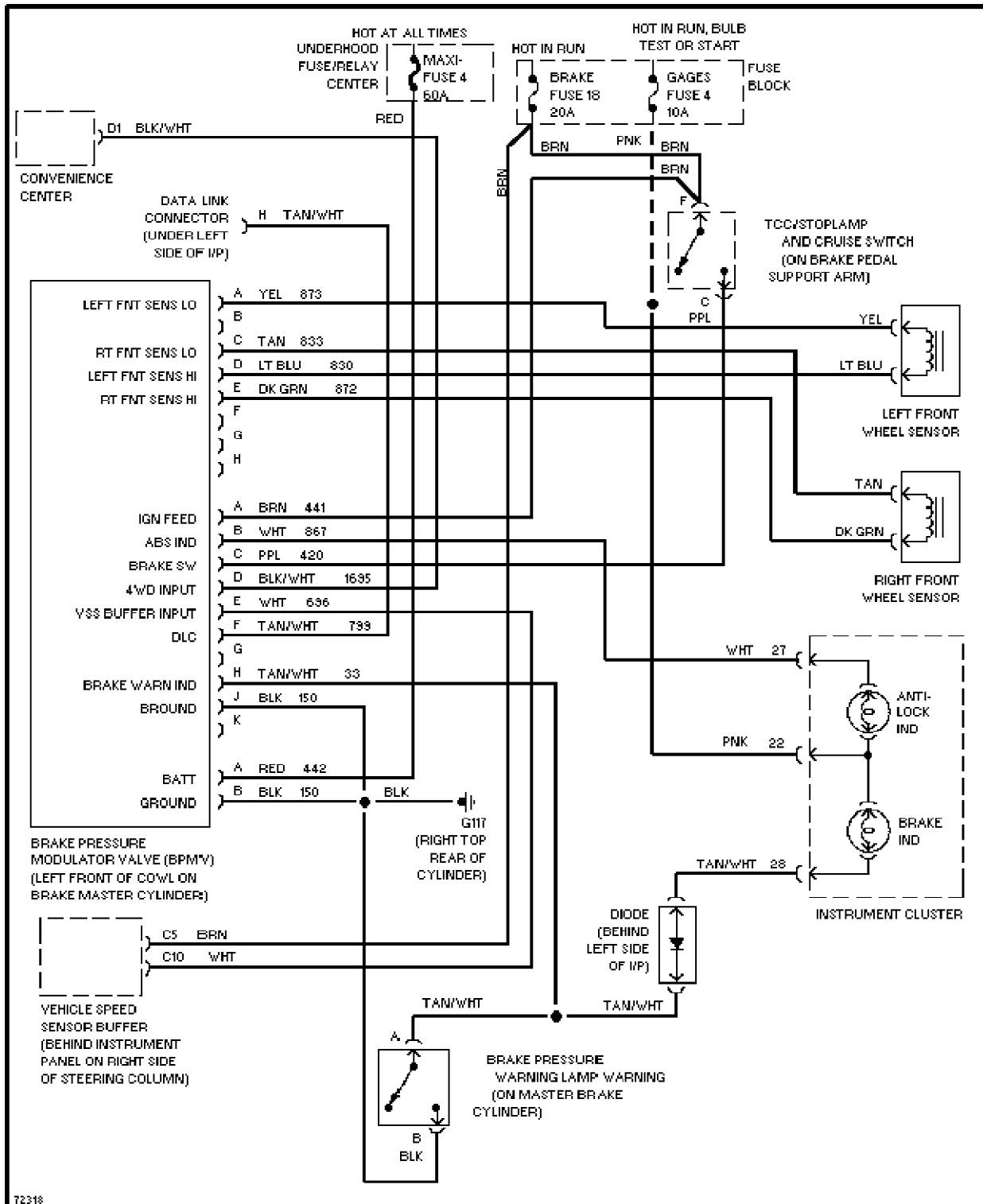


Heater Circuit

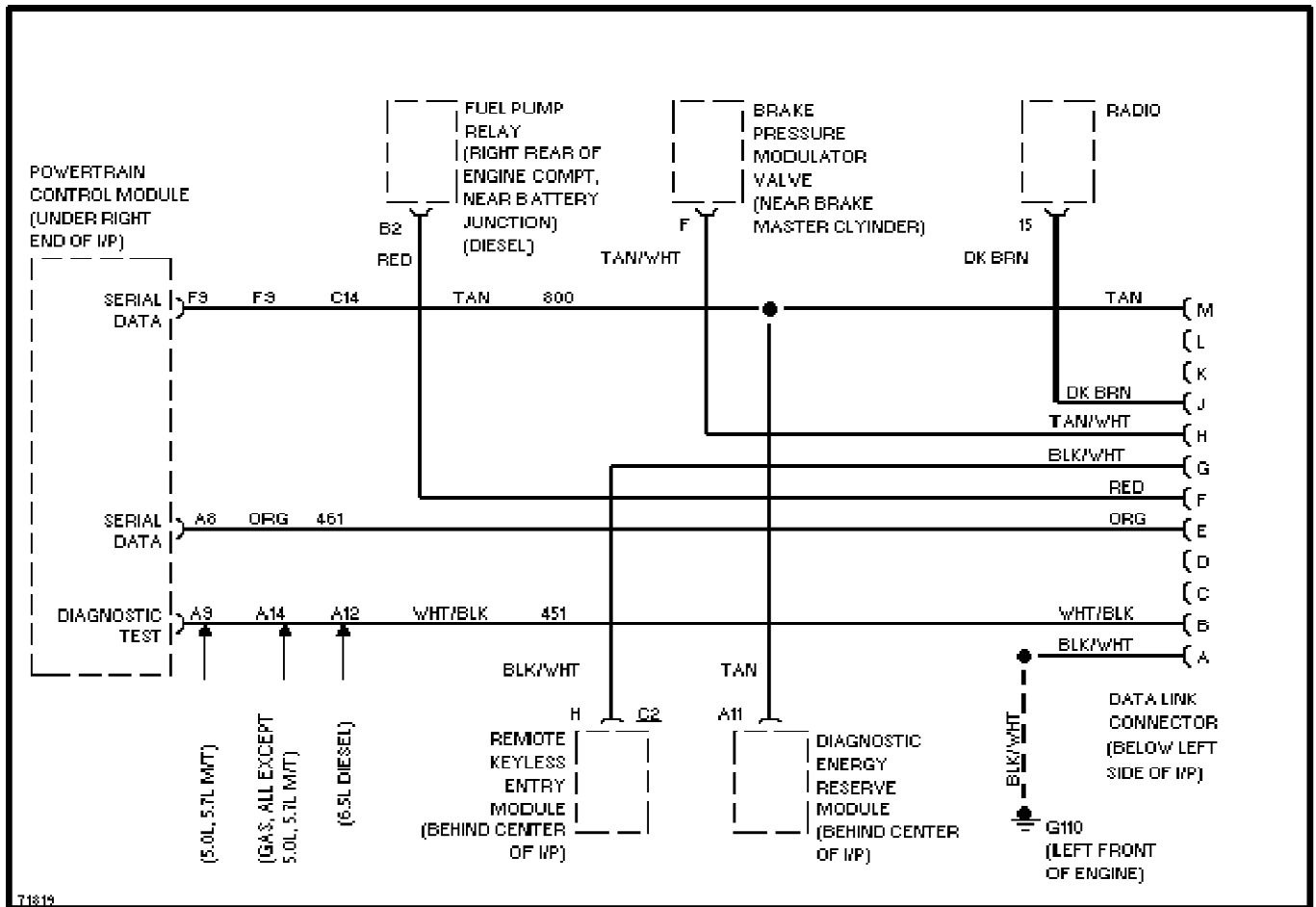
ANTI-LOCK BRAKES



72318

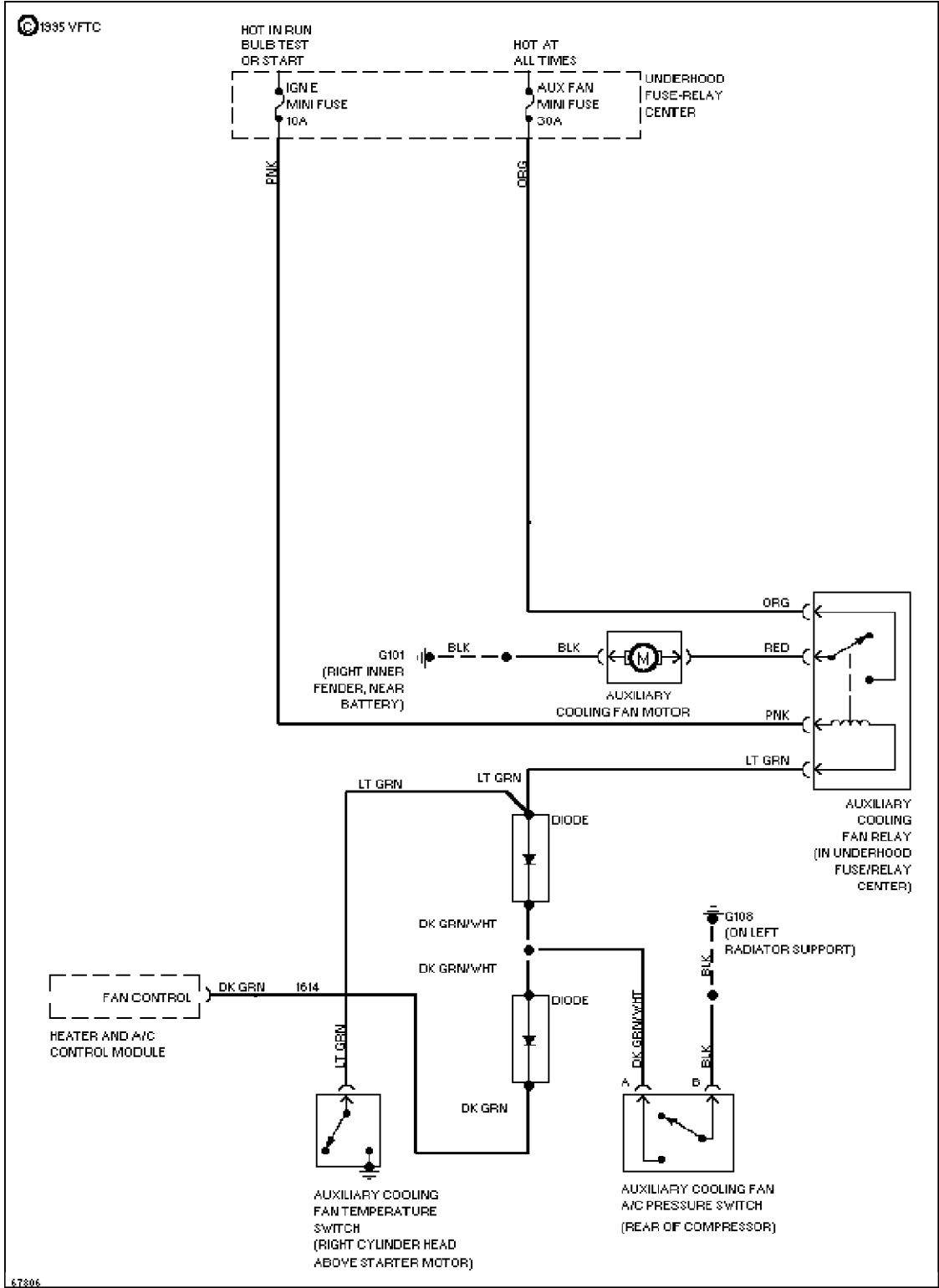
Anti-lock Brake Circuits

COMPUTER DATA LINES



Data Link Connector Circuit

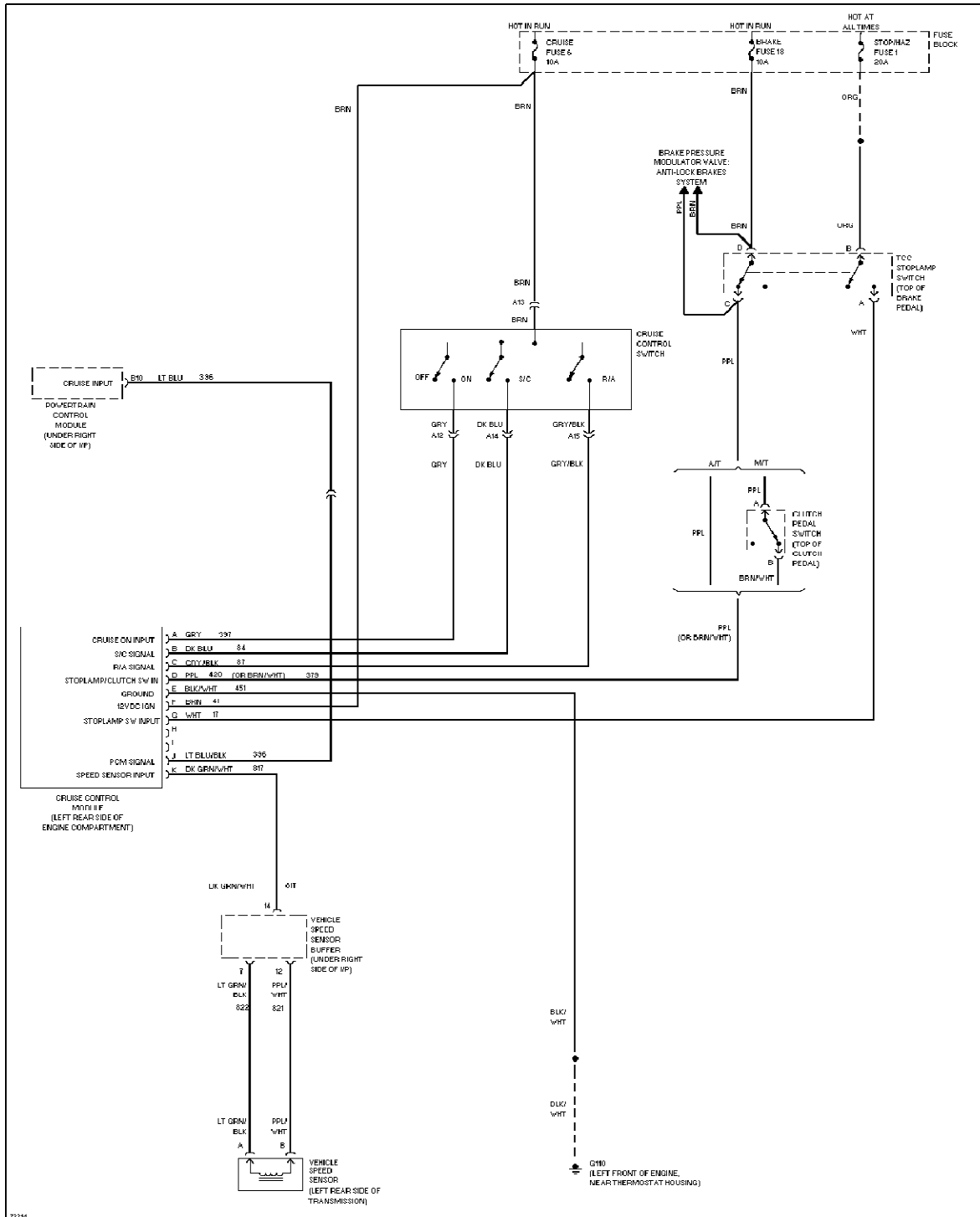
COOLING FAN



Cooling Fan Circuit

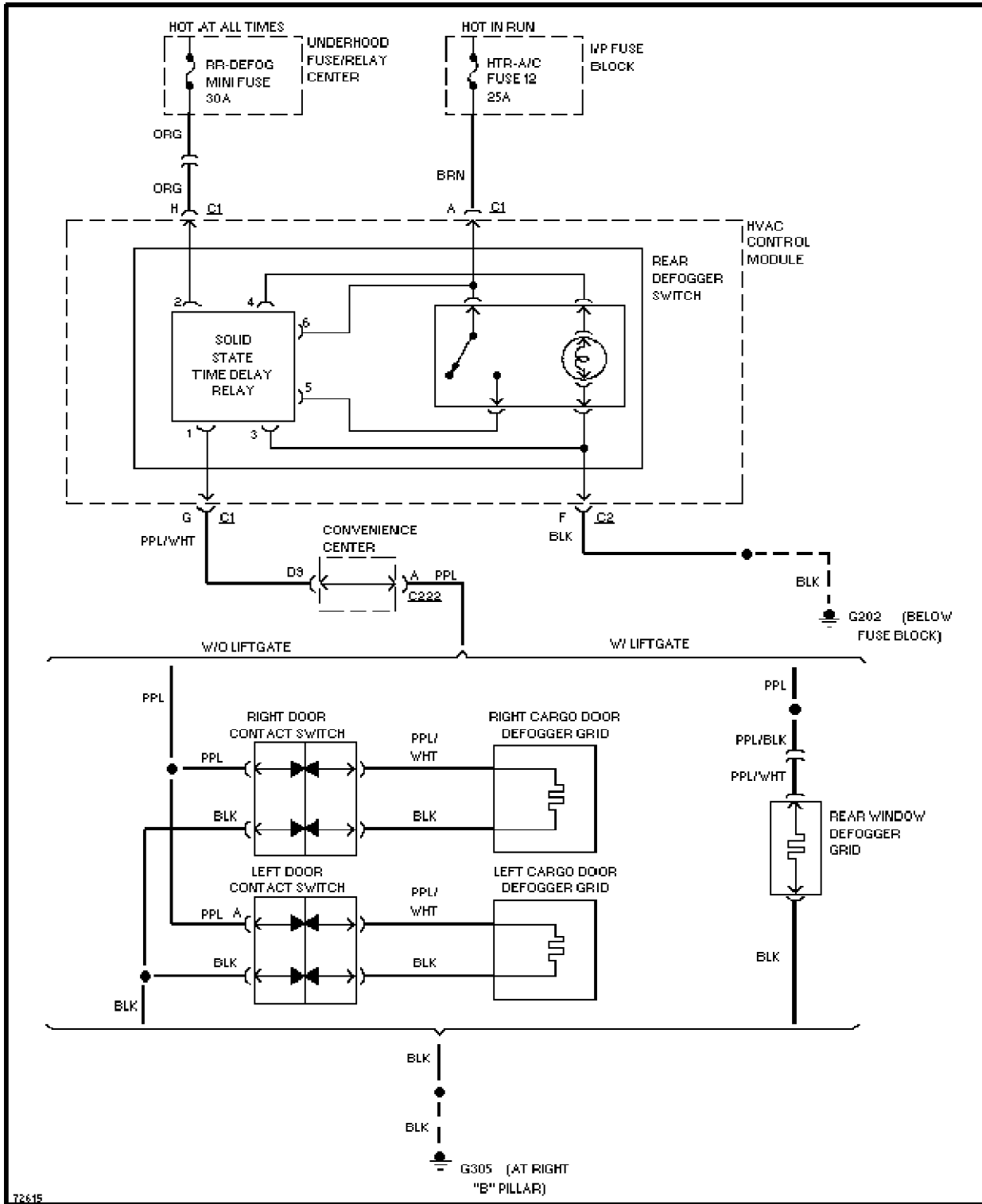
CRUISE CONTROL

5.7L



5.7L (VIN K), Cruise Control Circuit

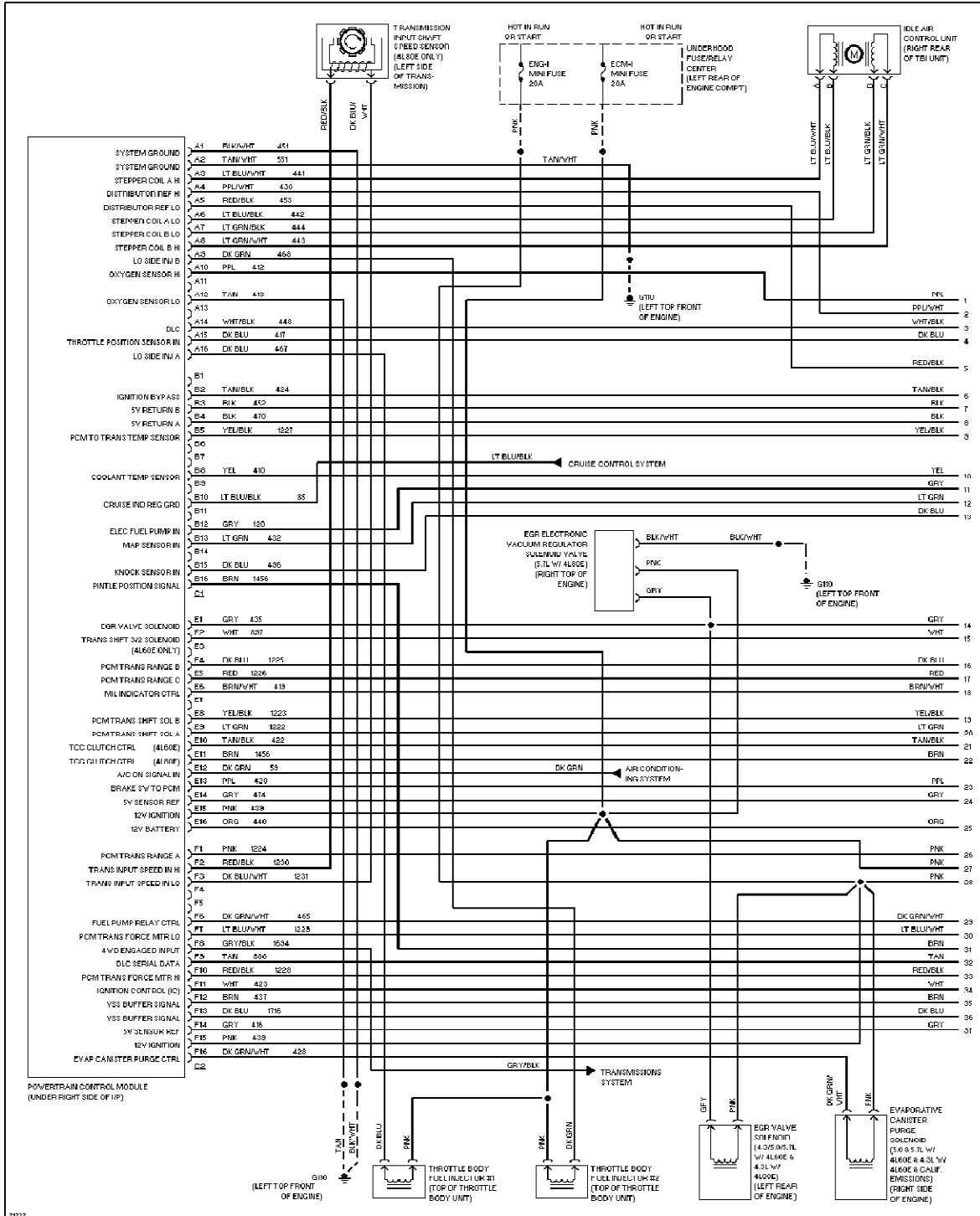
6.5L



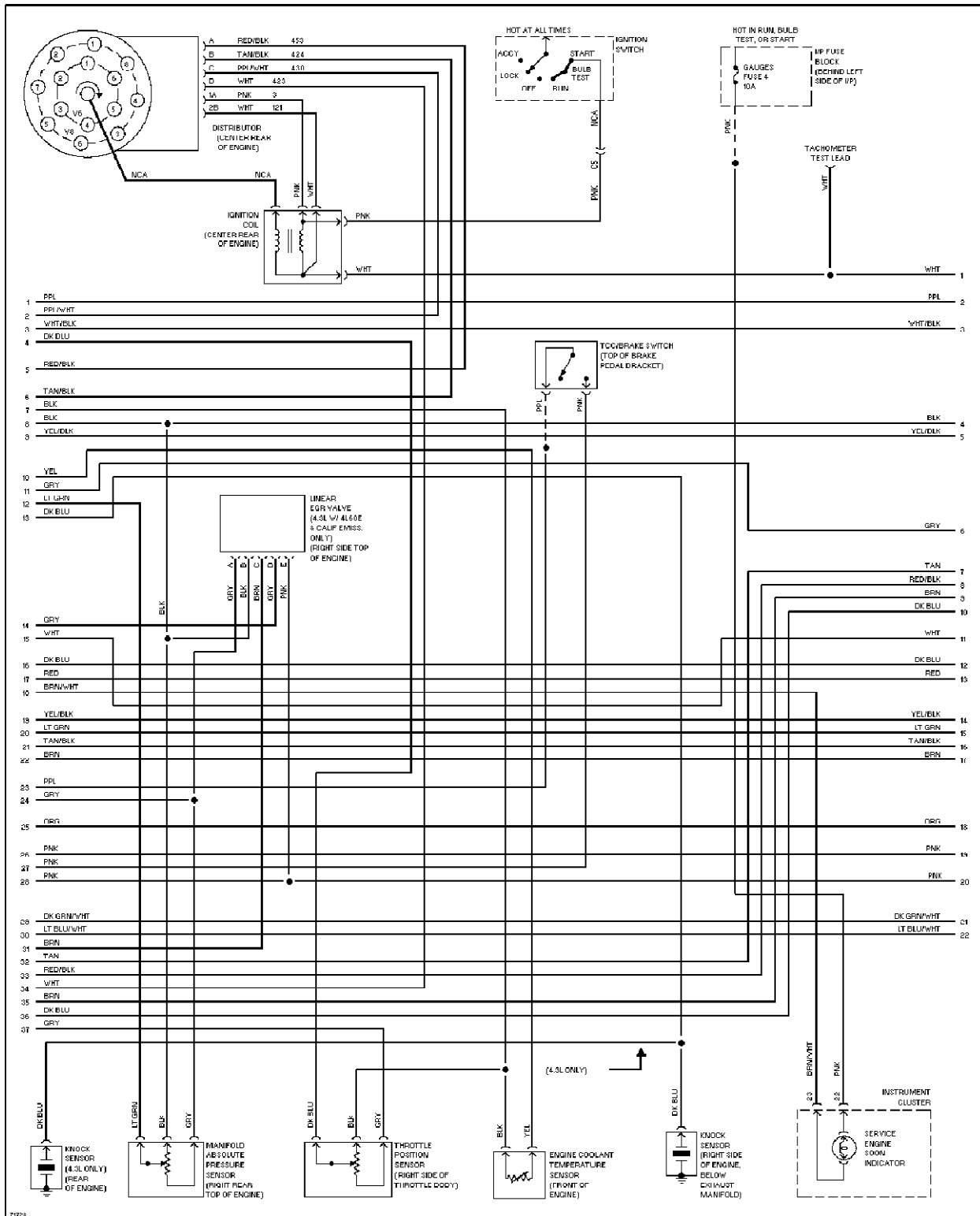
72615
Defogger Circuit

ENGINE PERFORMANCE

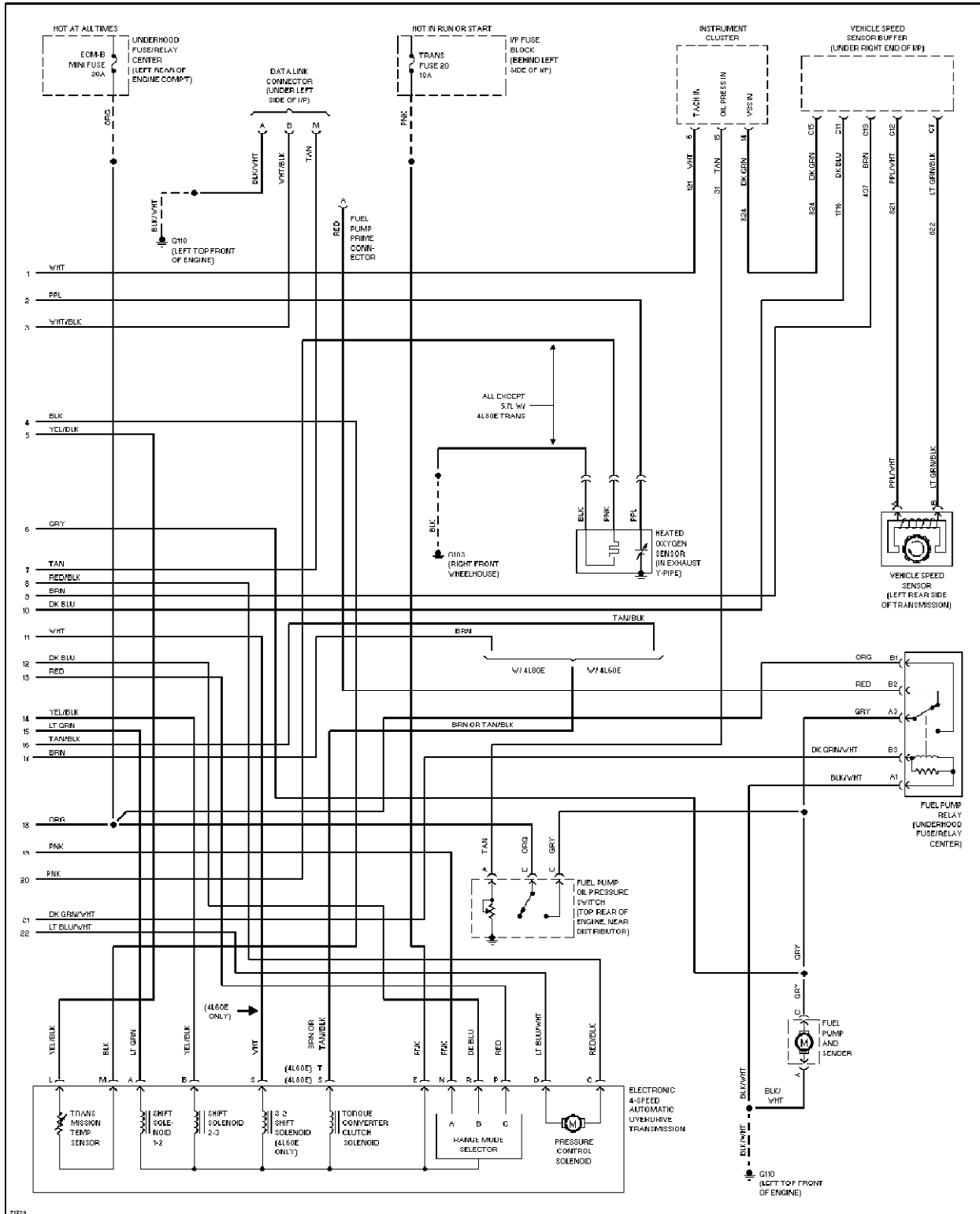
5.7L



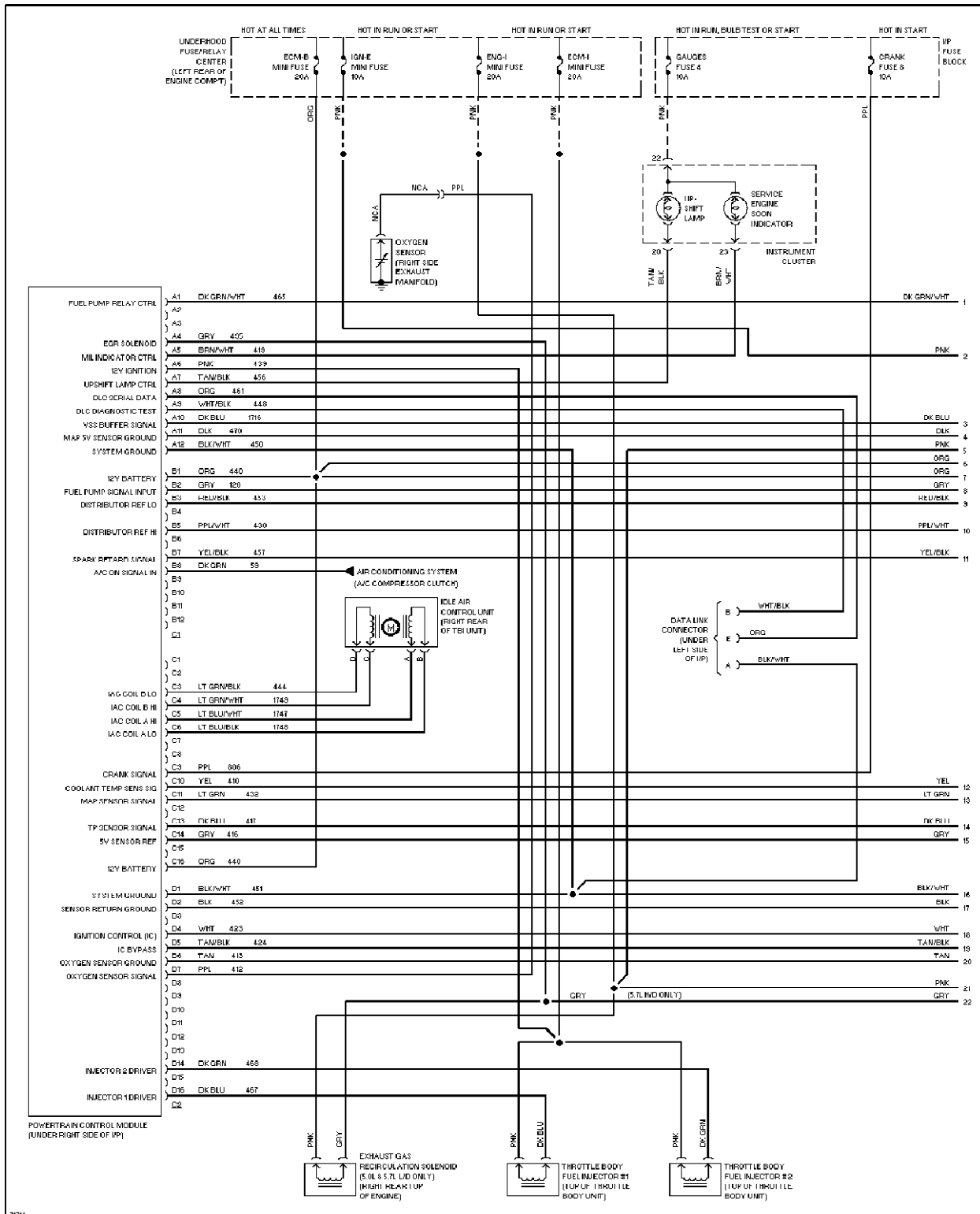
5.7L (VIN K), Engine Performance Circuits, A/T (1 of 3)



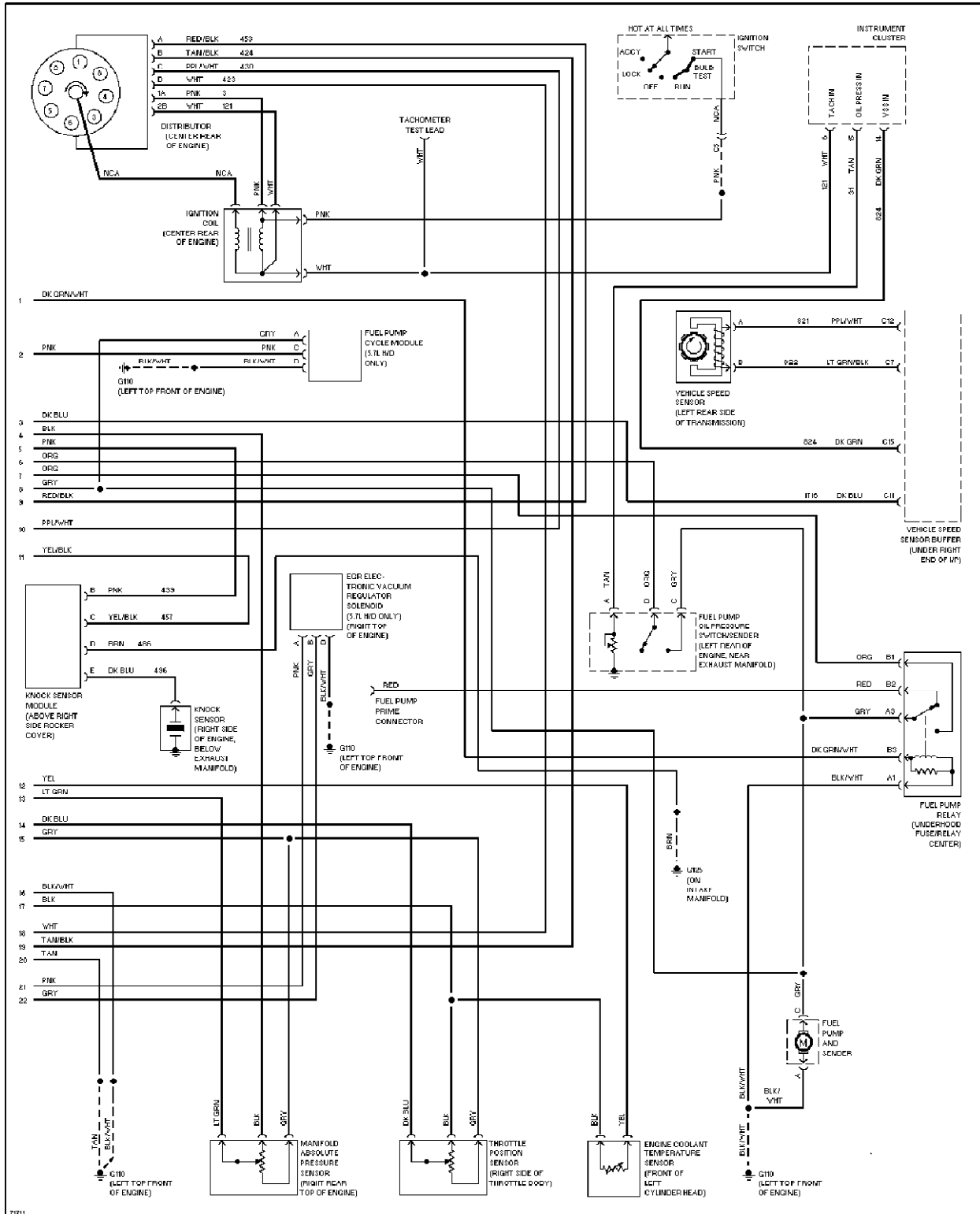
5.7L (VIN K), Engine Performance Circuits, A/T (2 of 3)



5.7L (VIN K), Engine Performance Circuits, A/T (3 of 3)

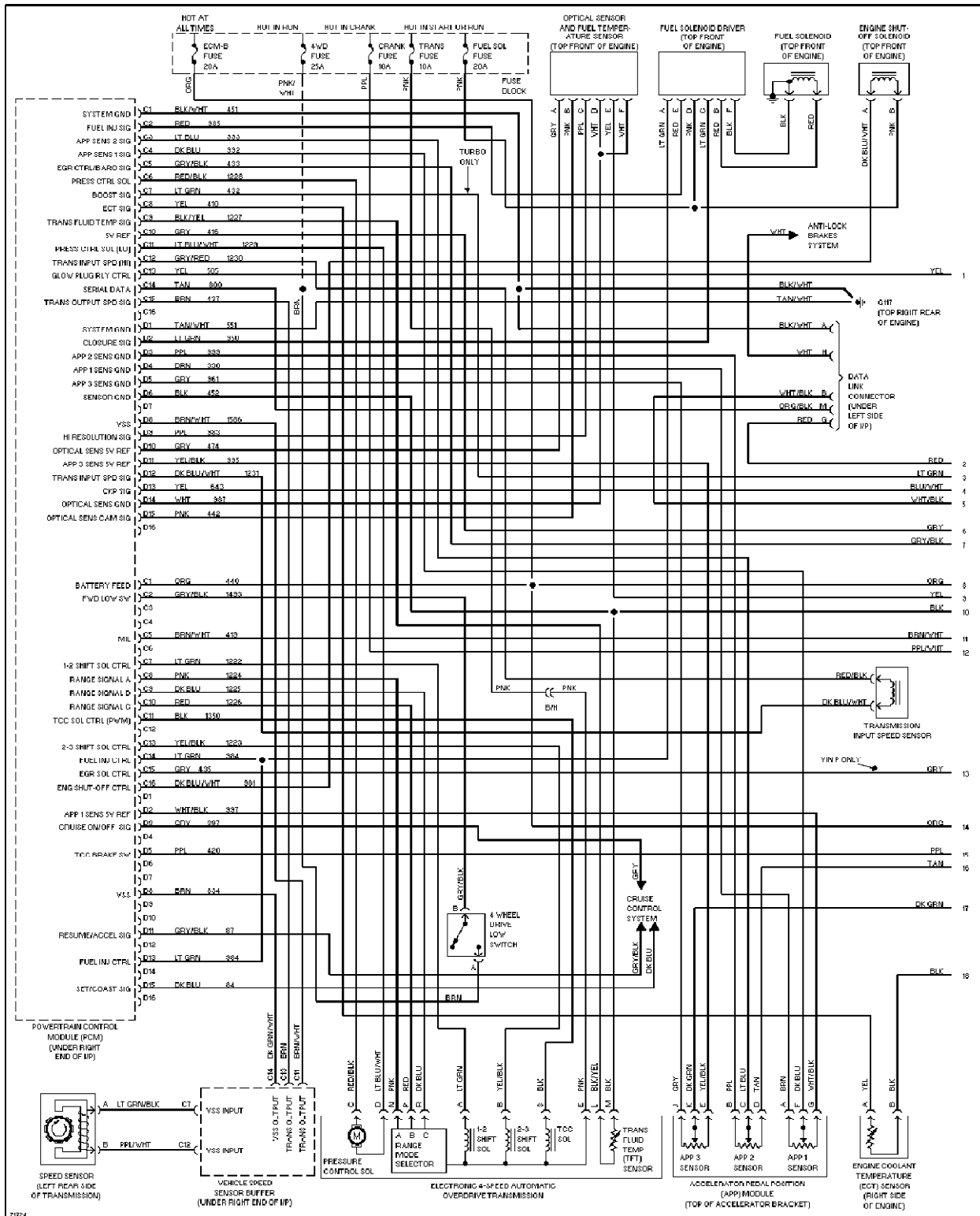


5.7L (VIN K), Engine Performance Circuits, M/T (1 of 2)

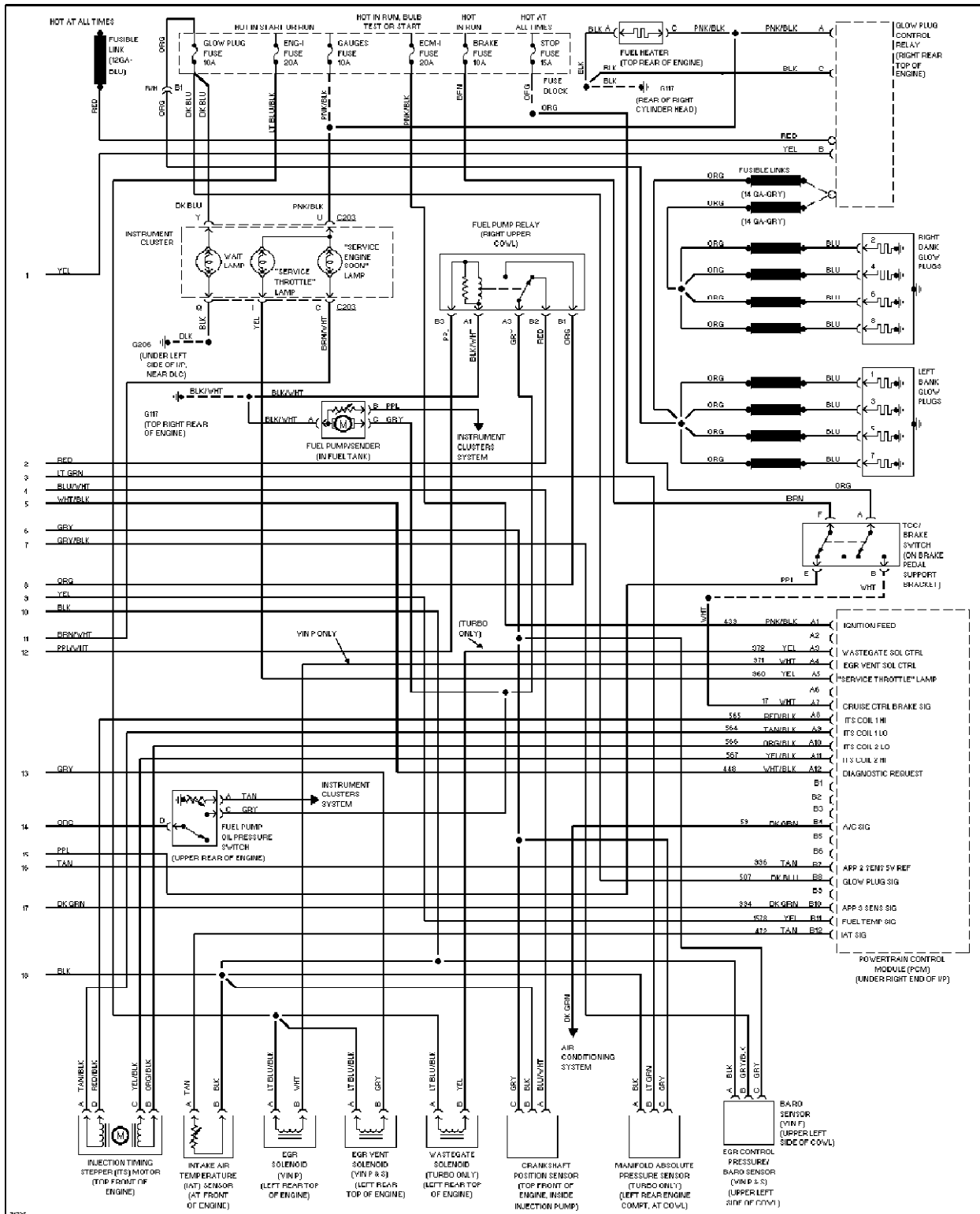


5.7L (VIN K), Engine Performance Circuits, M/T (2 of 2)

6.5L

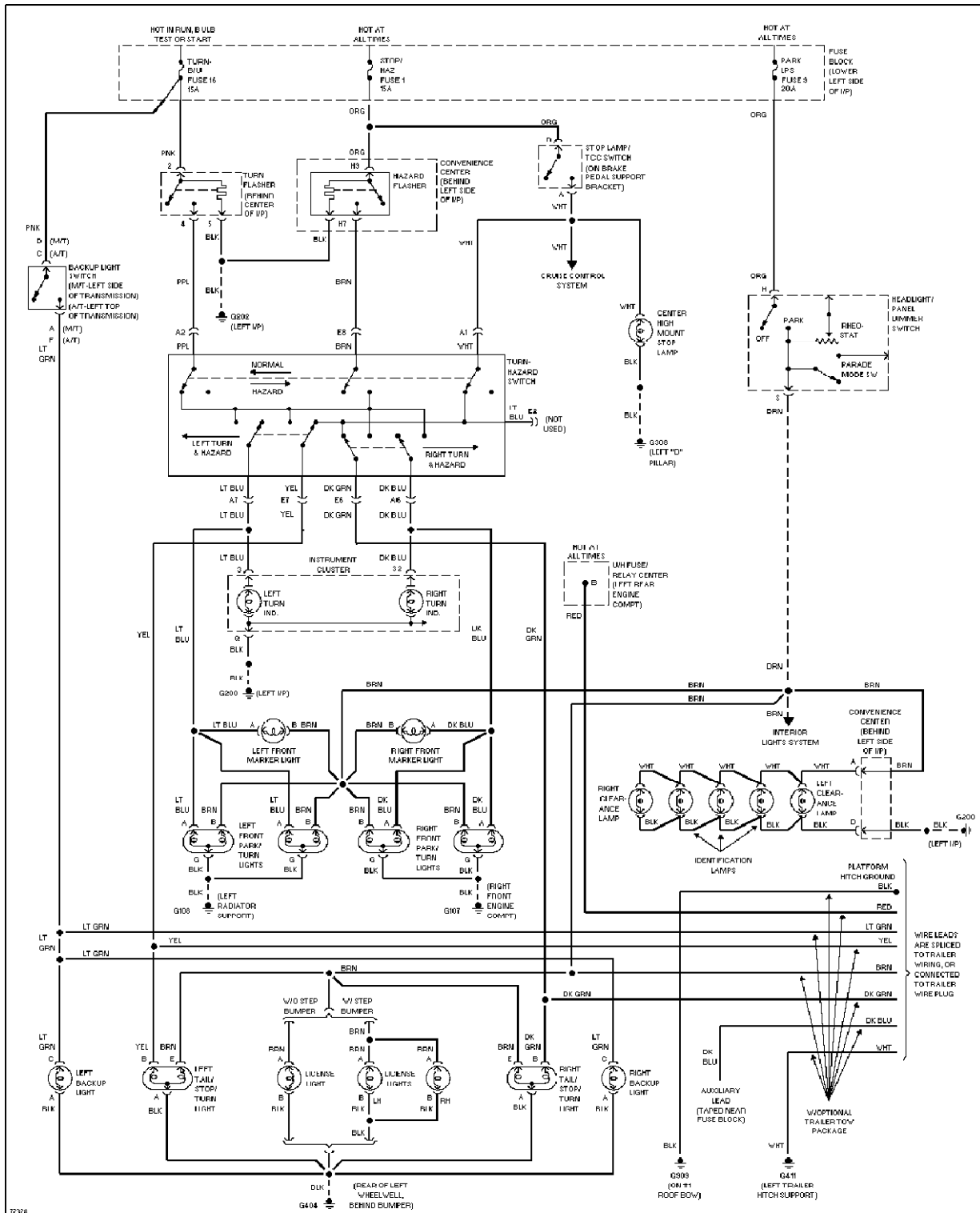


6.5L (VIN S), Engine Performance Circuits, 4L80-E A/T (1 of 2)



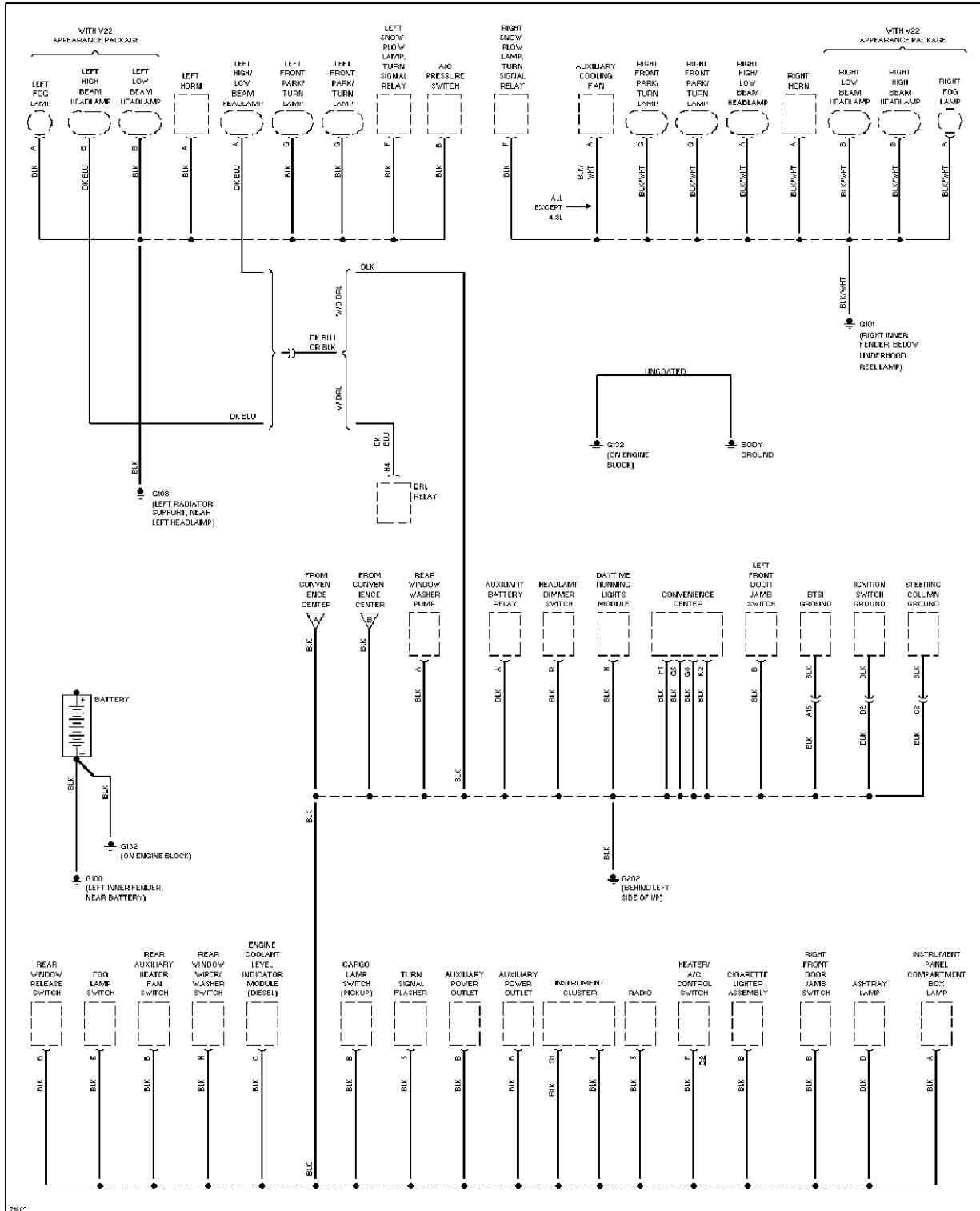
6.5L (VIN S), Engine Performance Circuits, 4L80-E A/T (2 of 2)

EXTERIOR LIGHTS

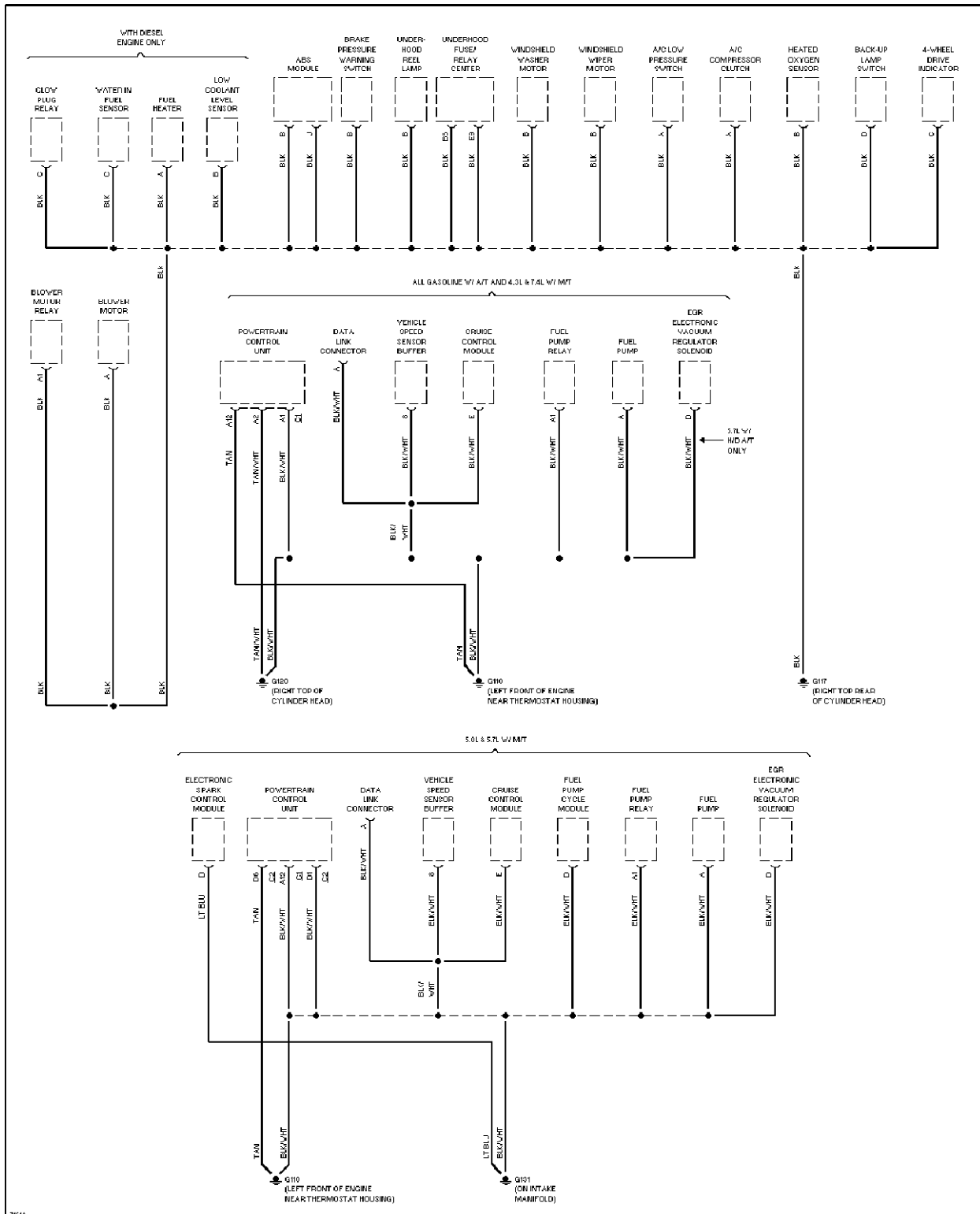


17228 Exterior Light Circuit

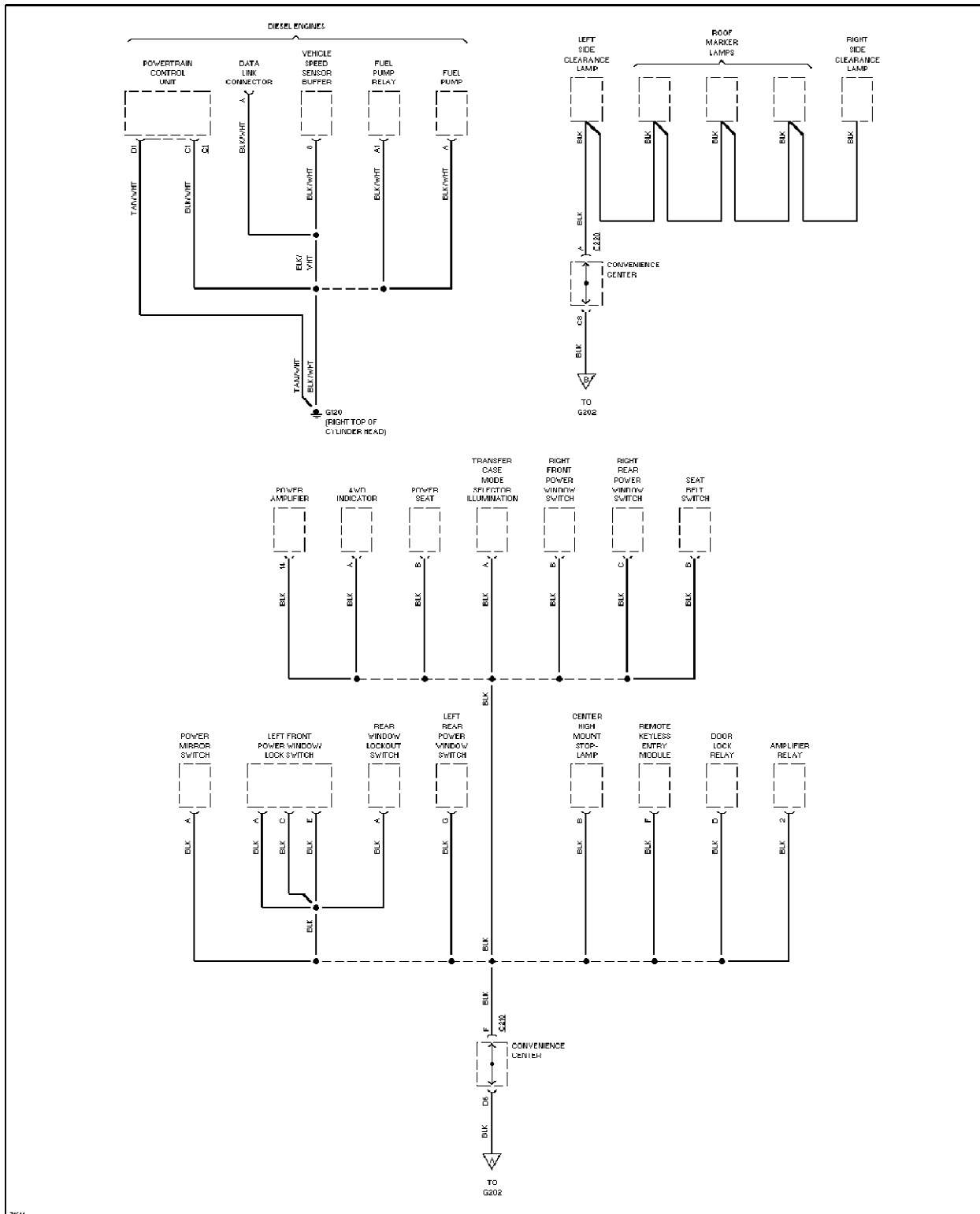
GROUND DISTRIBUTION



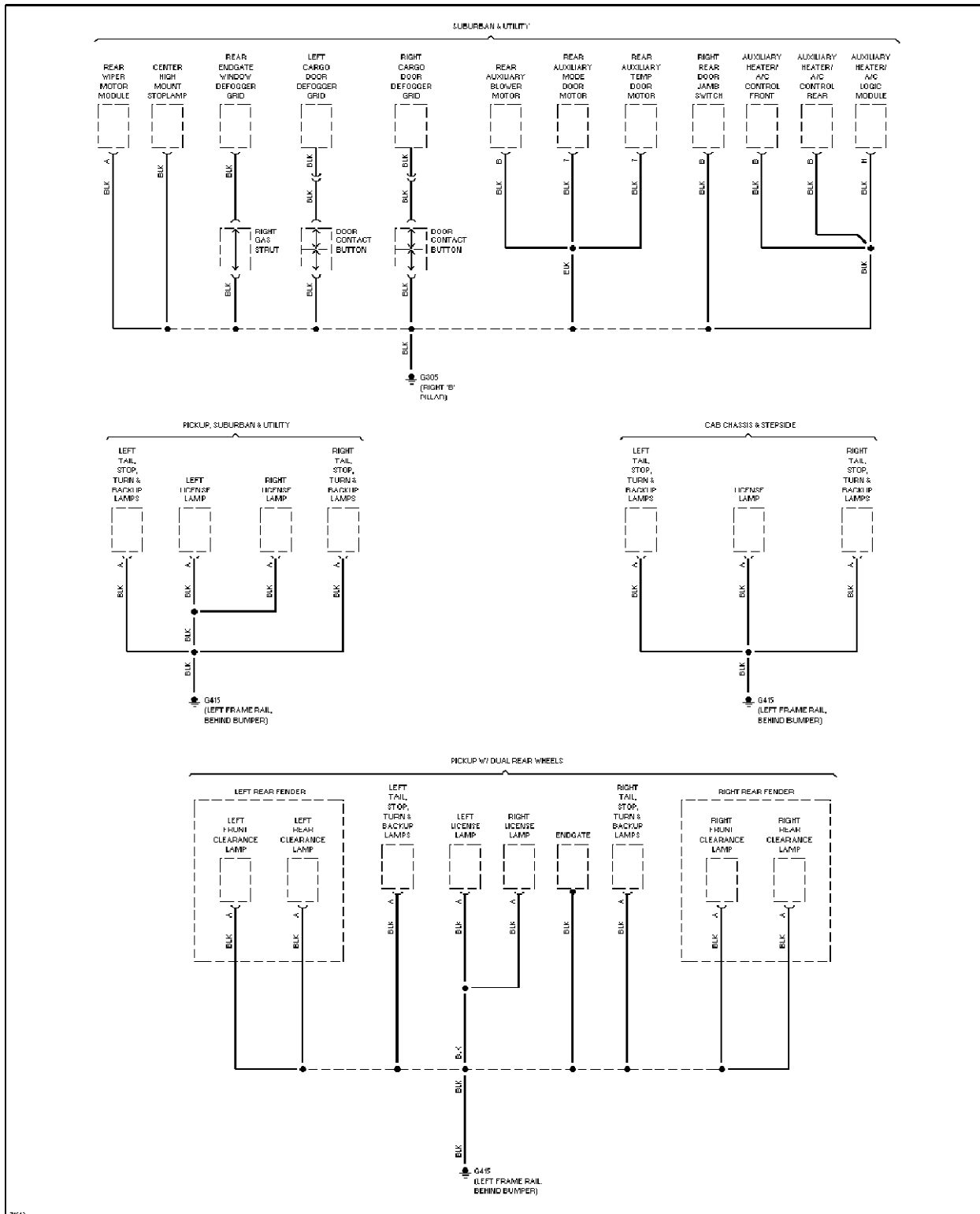
Ground Distribution Circuit (1 of 4)



Ground Distribution Circuit (2 of 4)

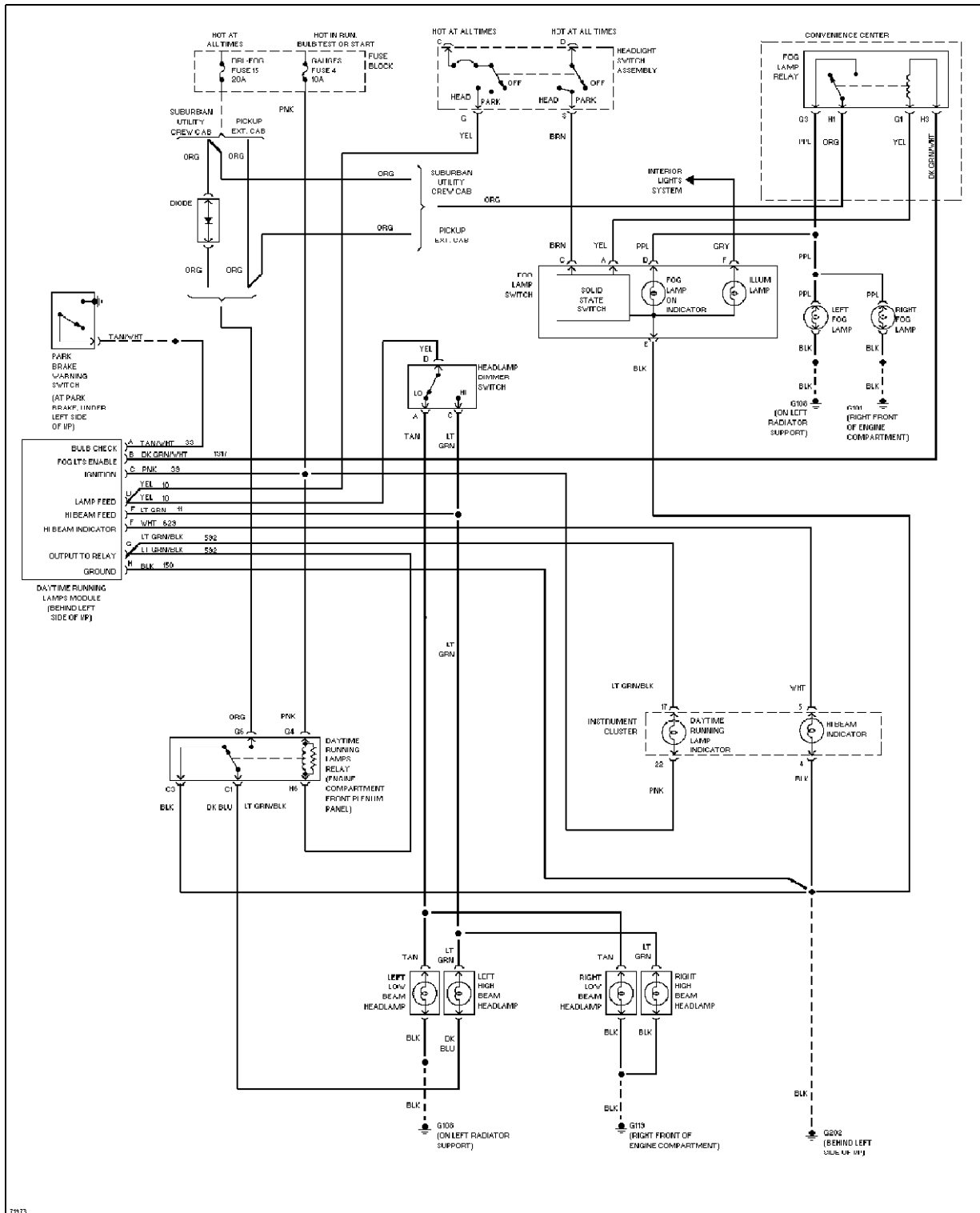


Ground Distribution Circuit (3 of 4)

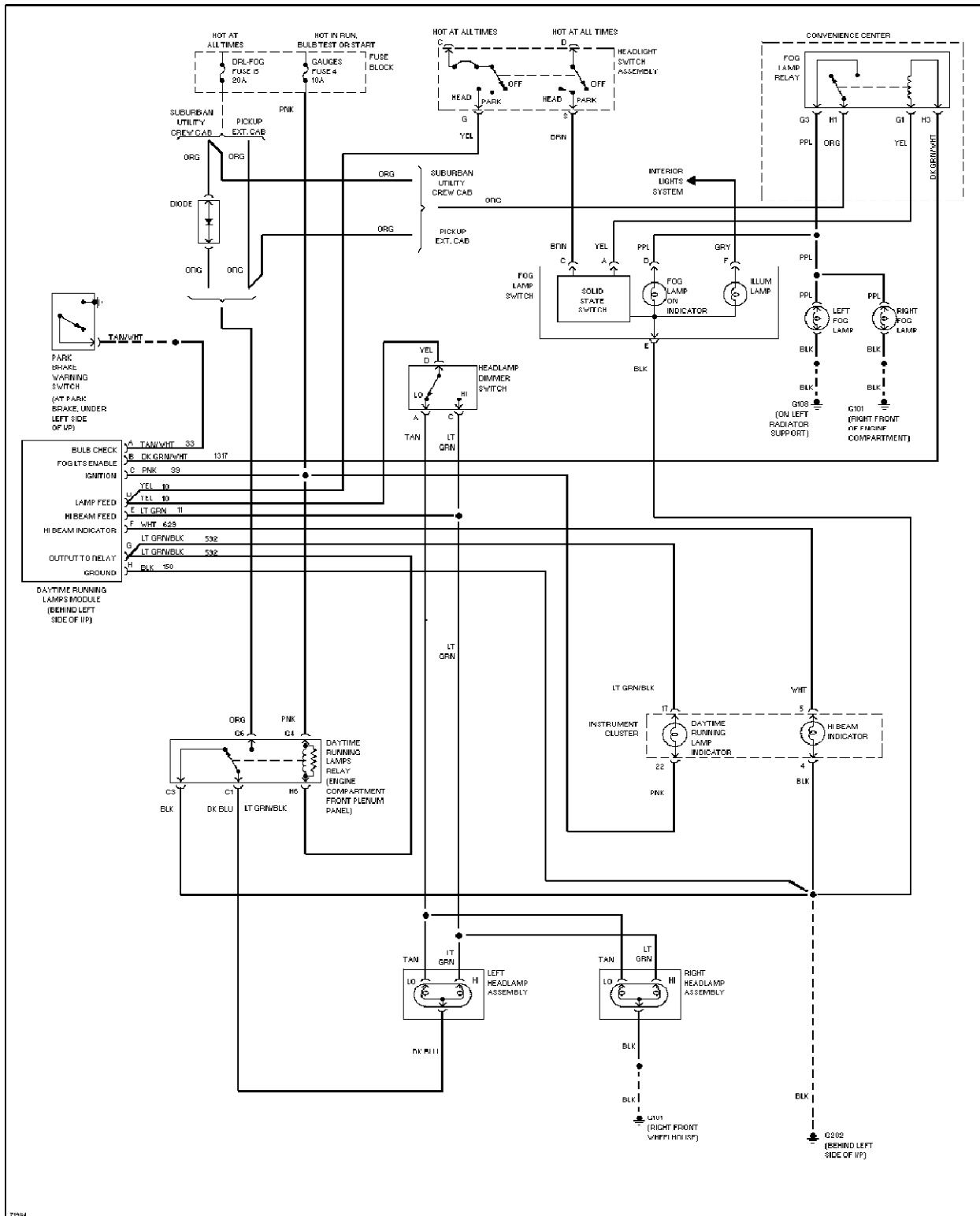


Ground Distribution Circuit (4 of 4)

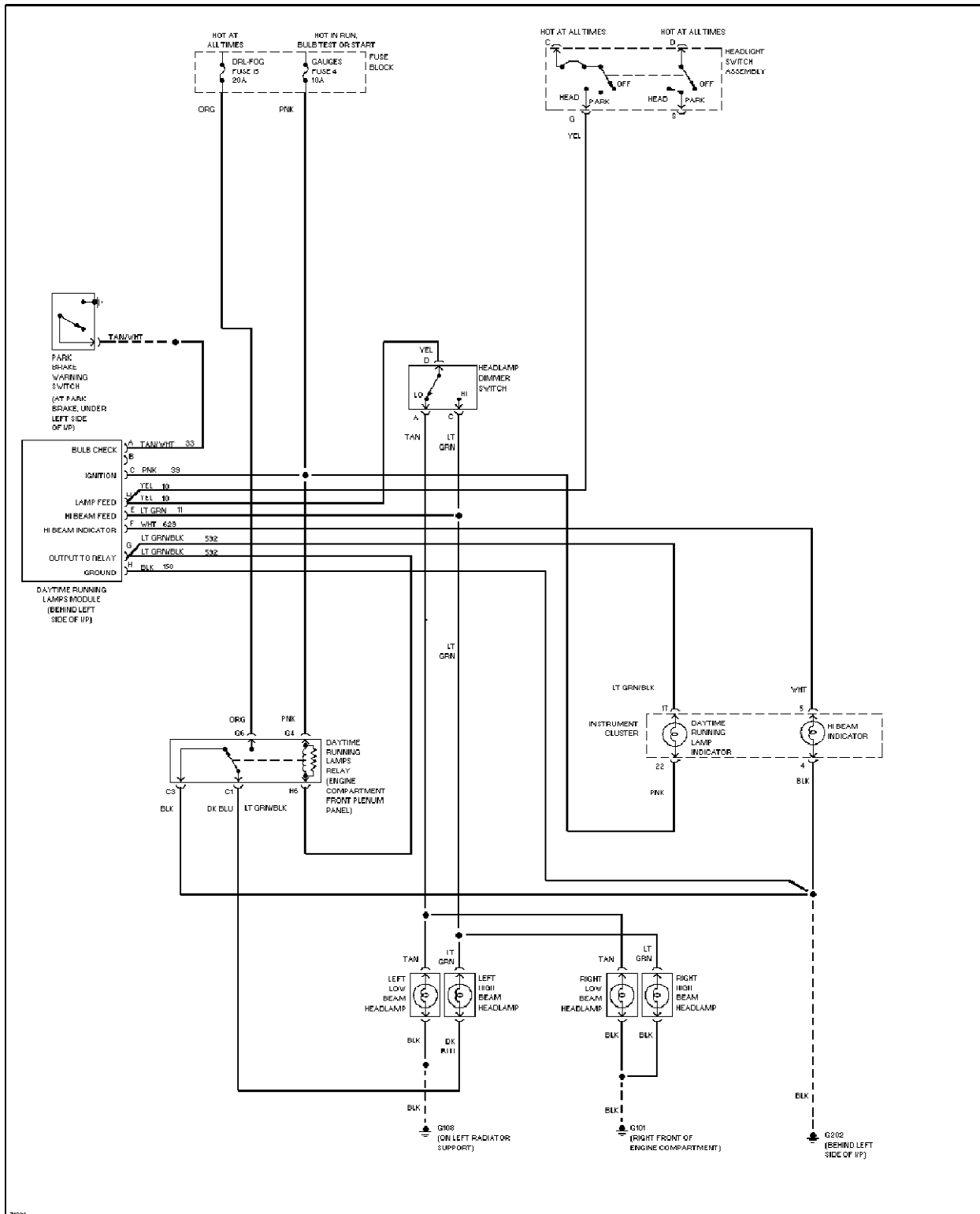
HEADLIGHTS



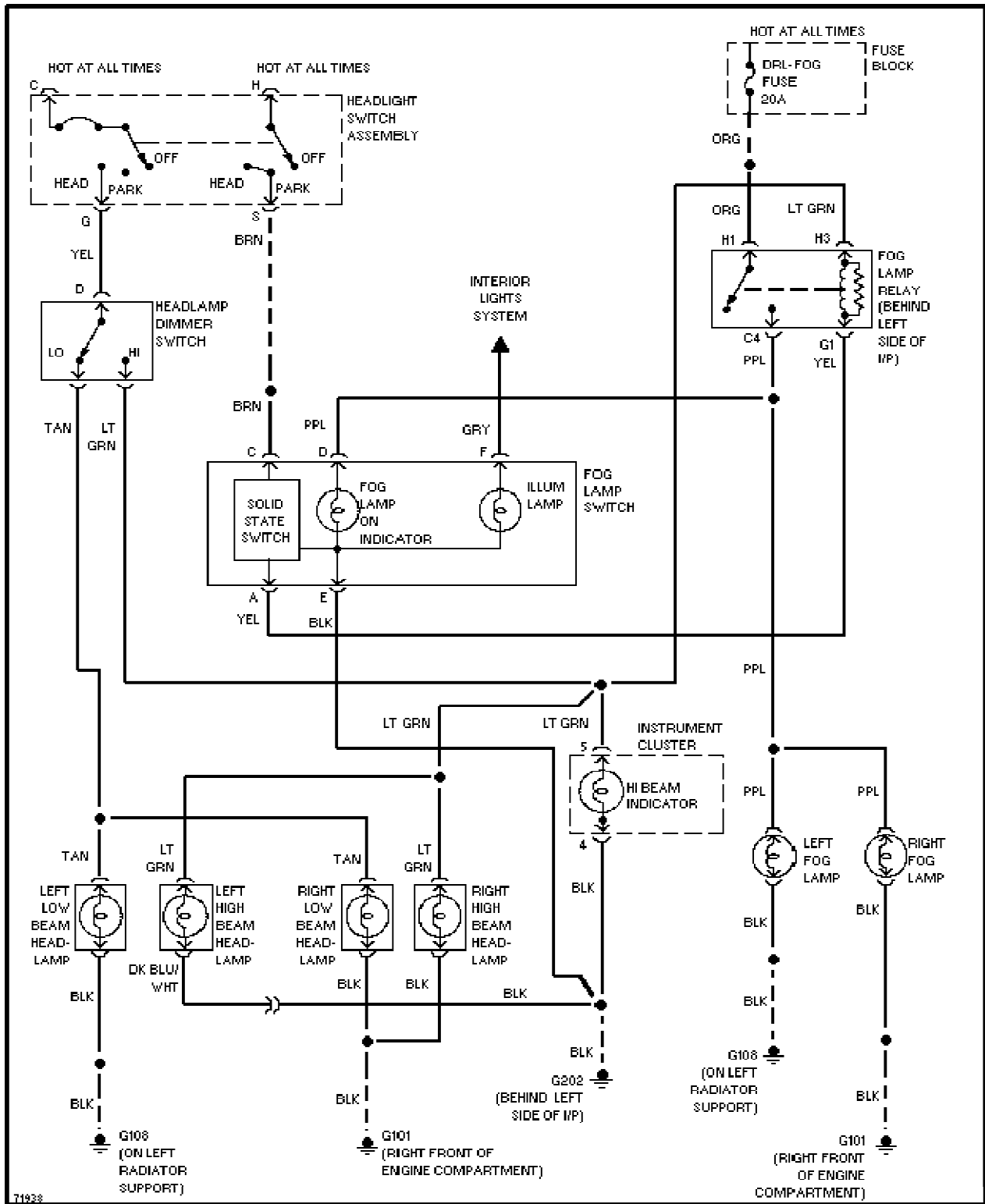
Fog Lamp Circuit, Composite W/ DRL



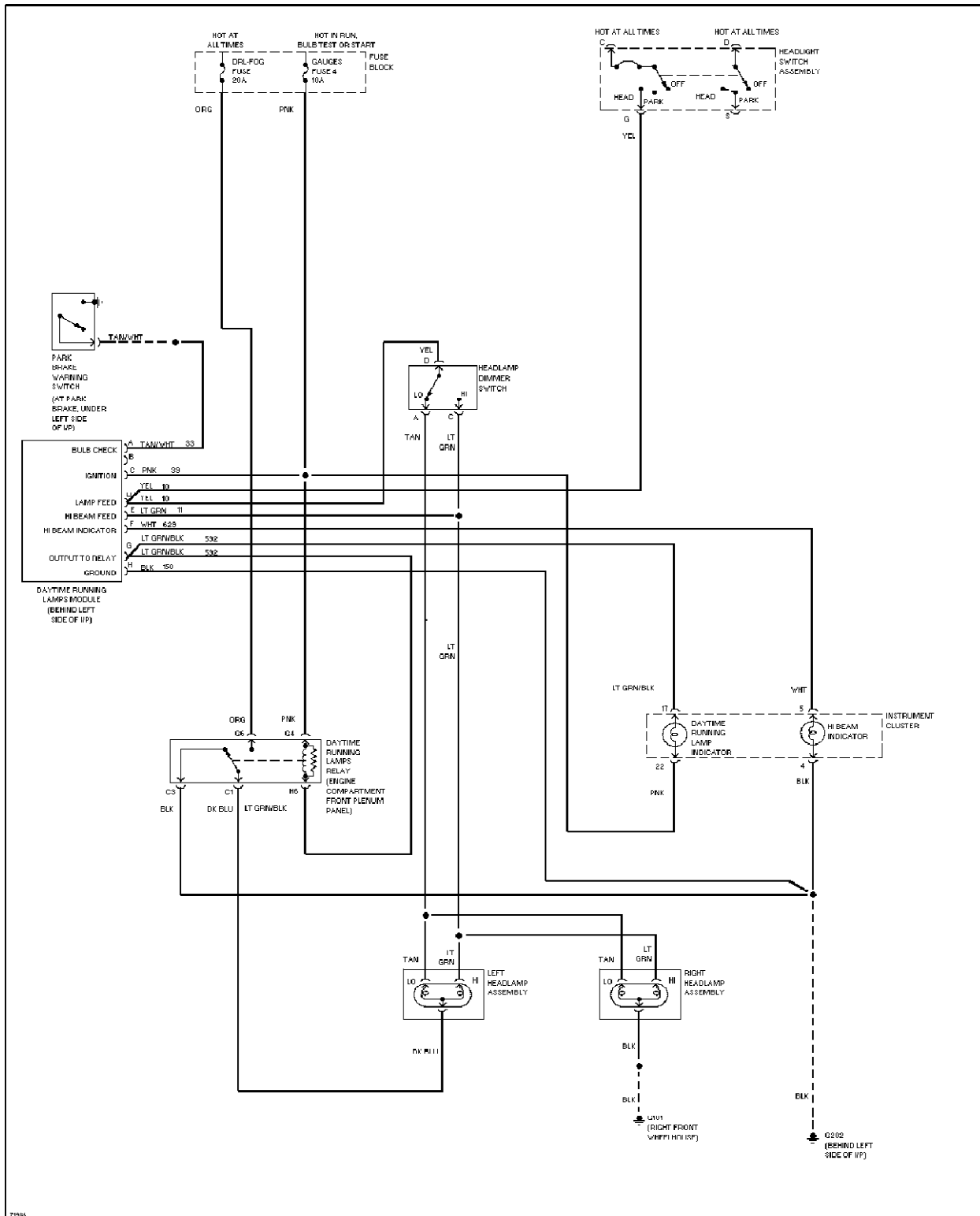
Fog Lamp Circuit, Sealed Beam W/ DRL



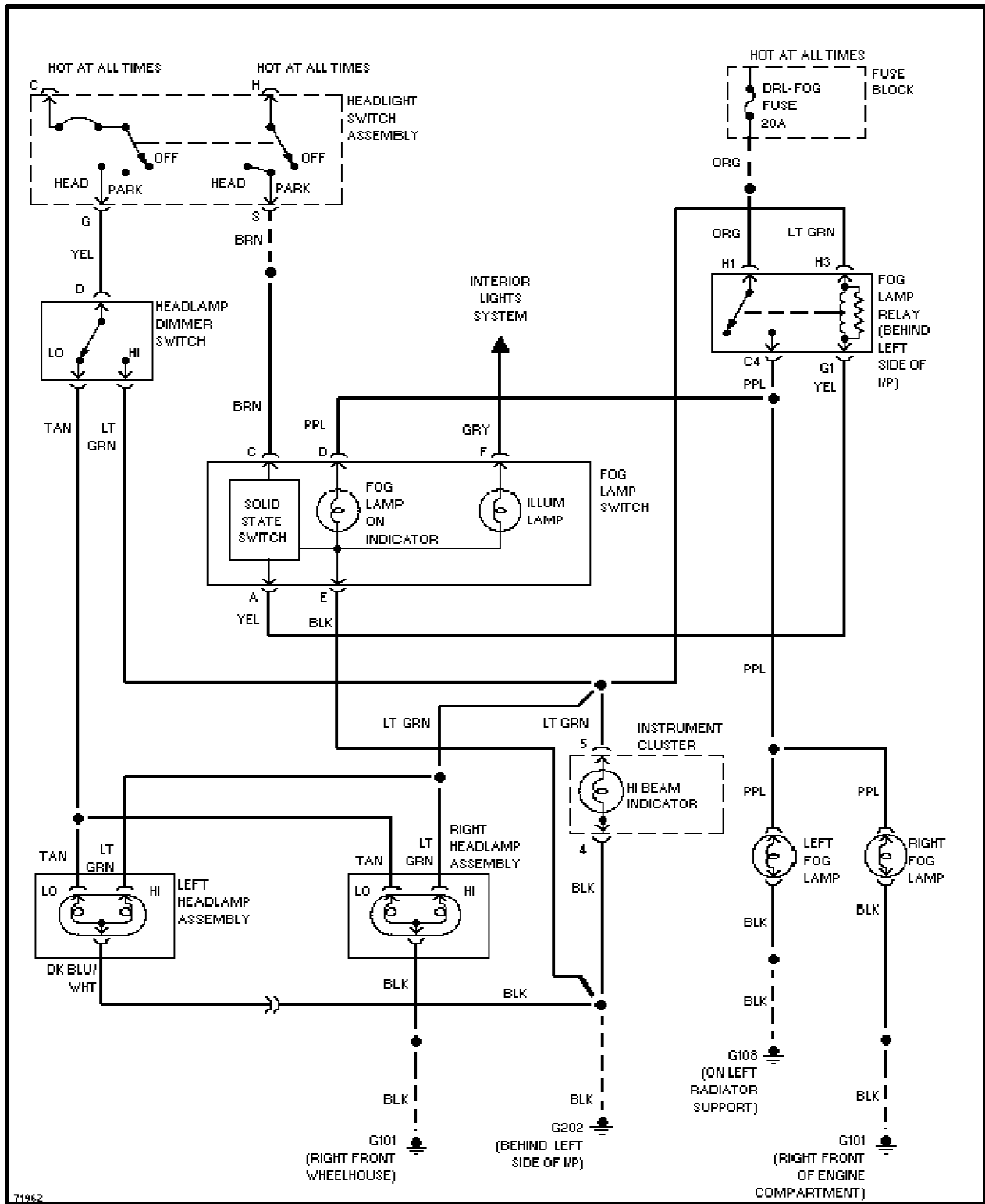
Headlight Circuit, Composite W/ DRL



71928
Headlight Circuit, Composite W/O DRL

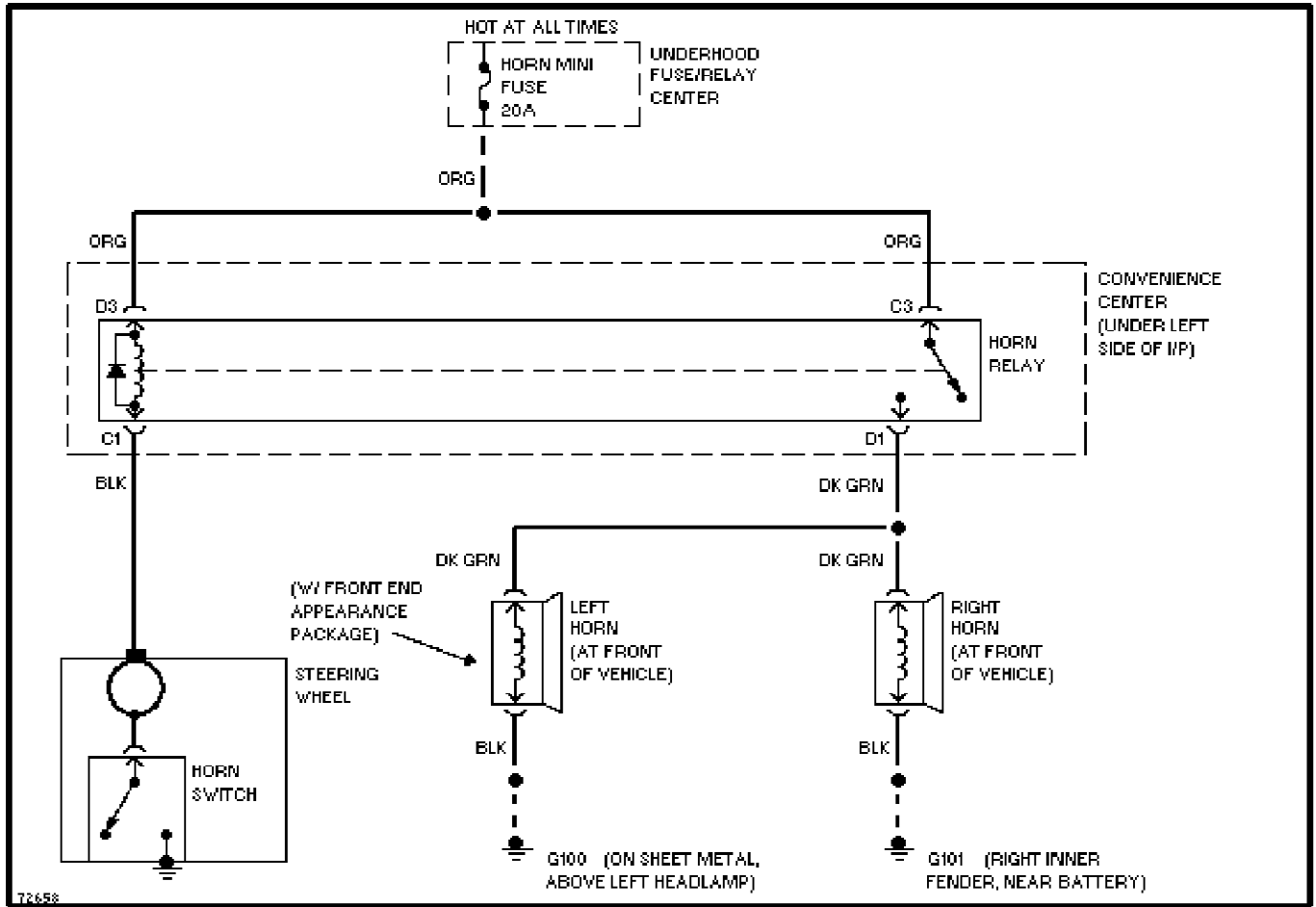


Headlight Circuit, Sealed Beam W/ DRL



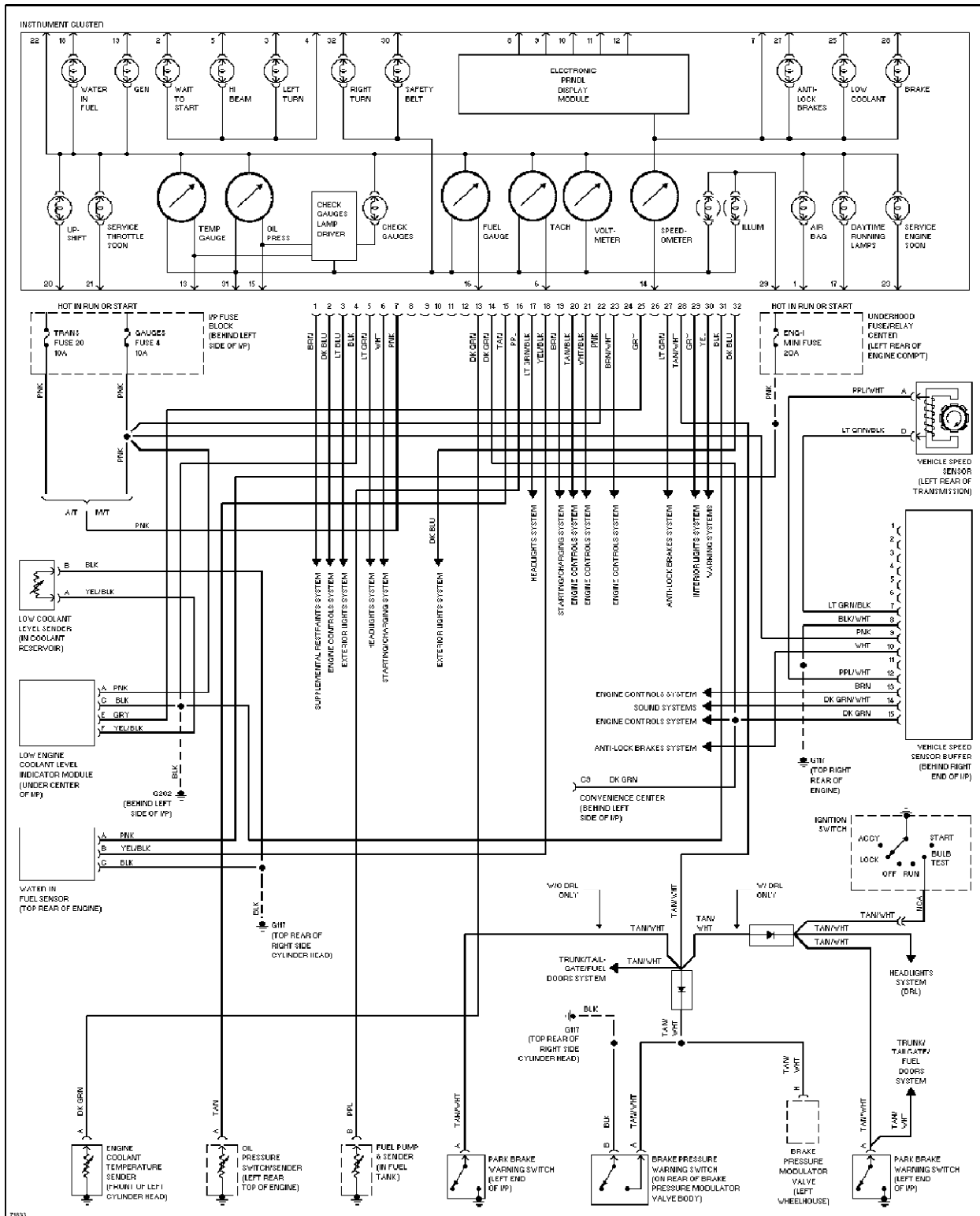
71862
Headlight Circuit, Sealed Beam W/O DRL

HORN

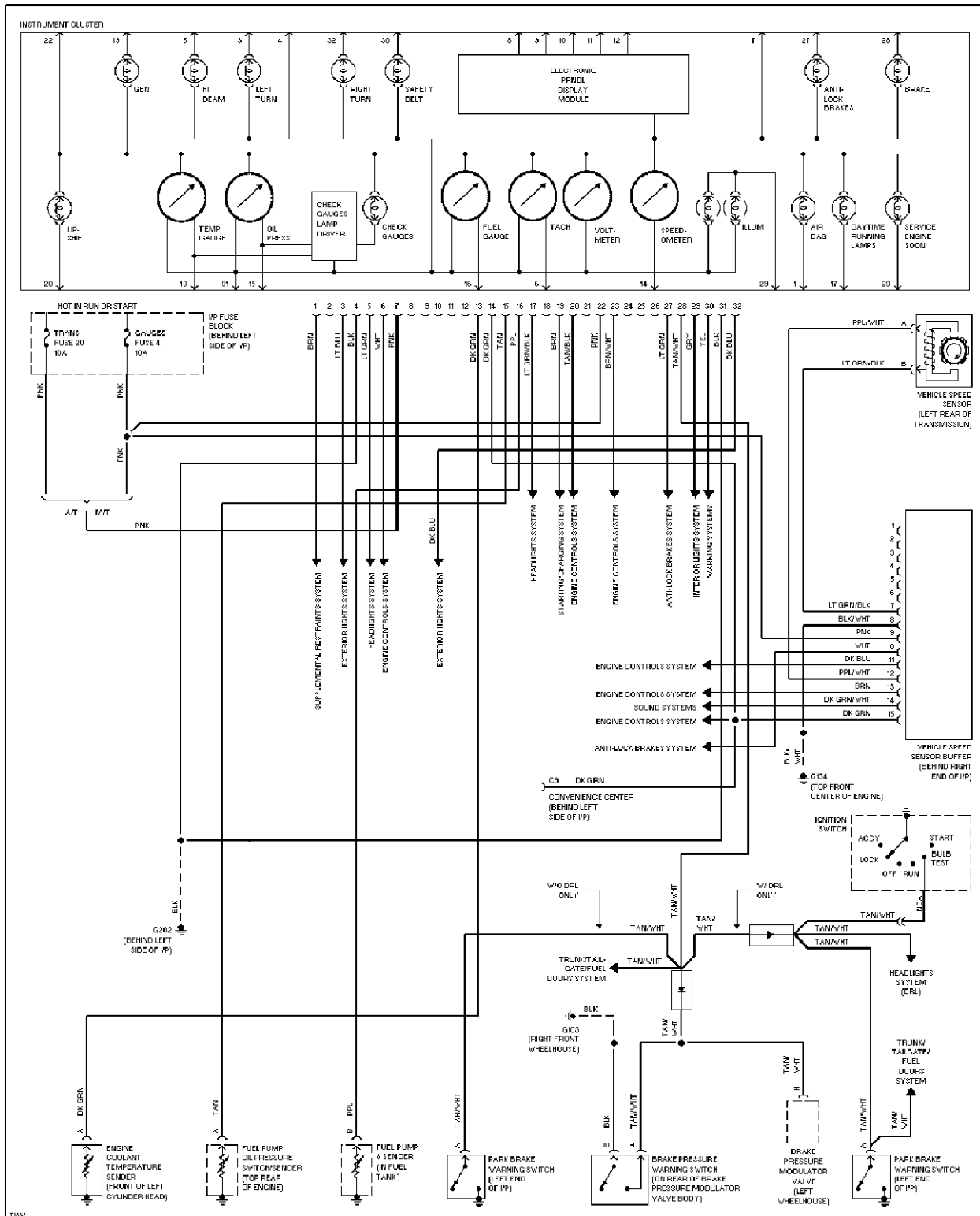


Horn Circuit

INSTRUMENT CLUSTER

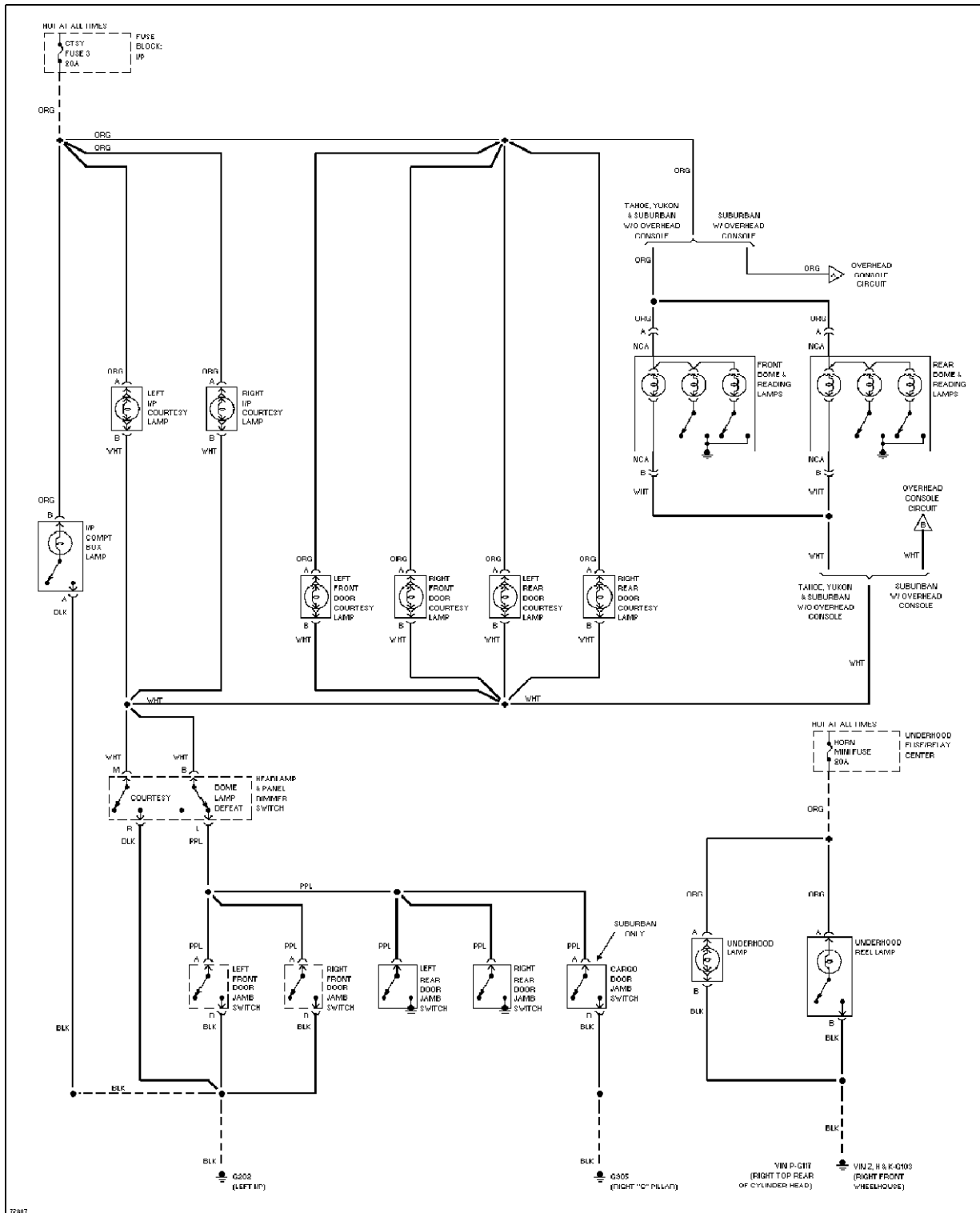


Instrument Cluster Circuit, Diesel

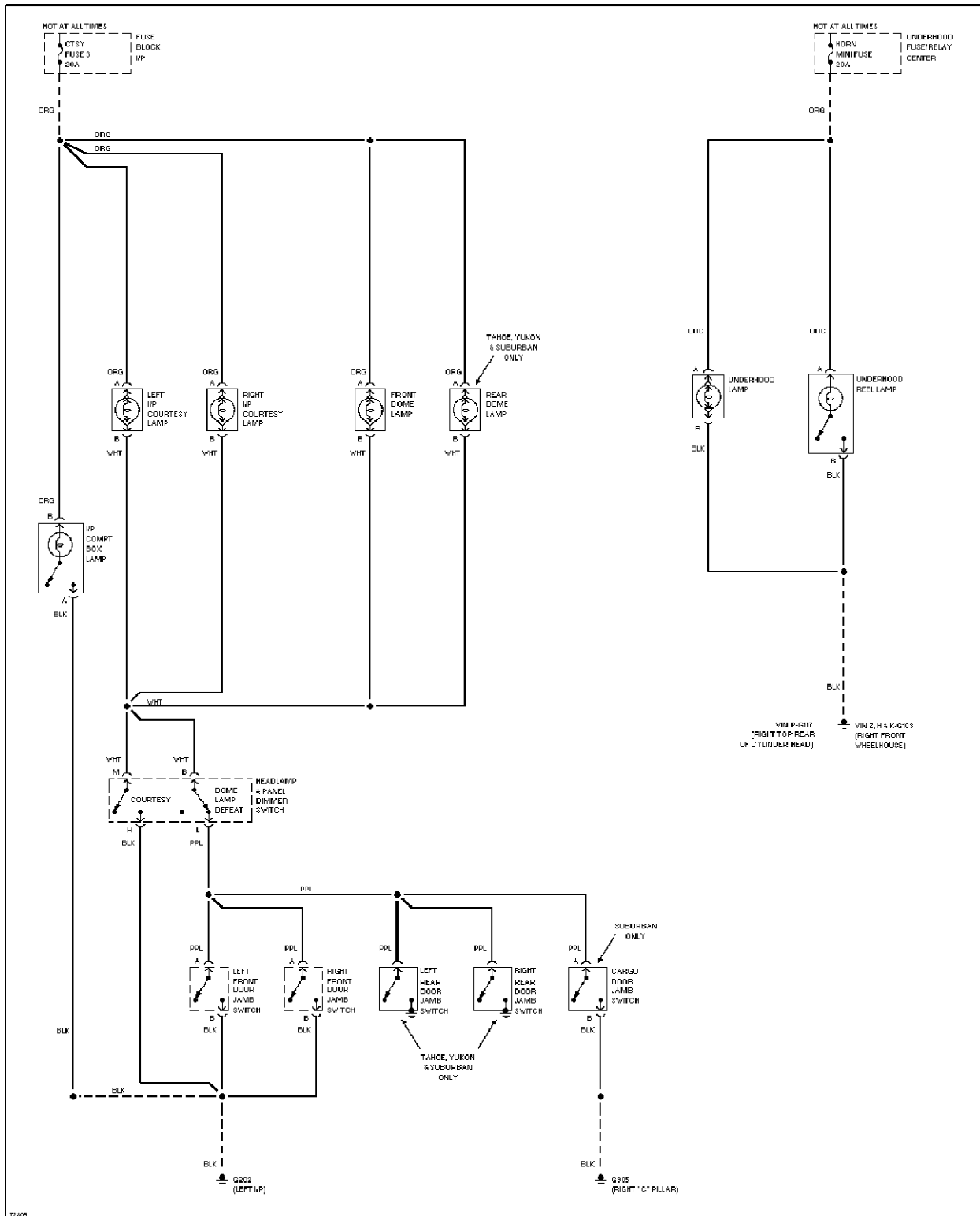


Instrument Cluster Circuit, Gasoline

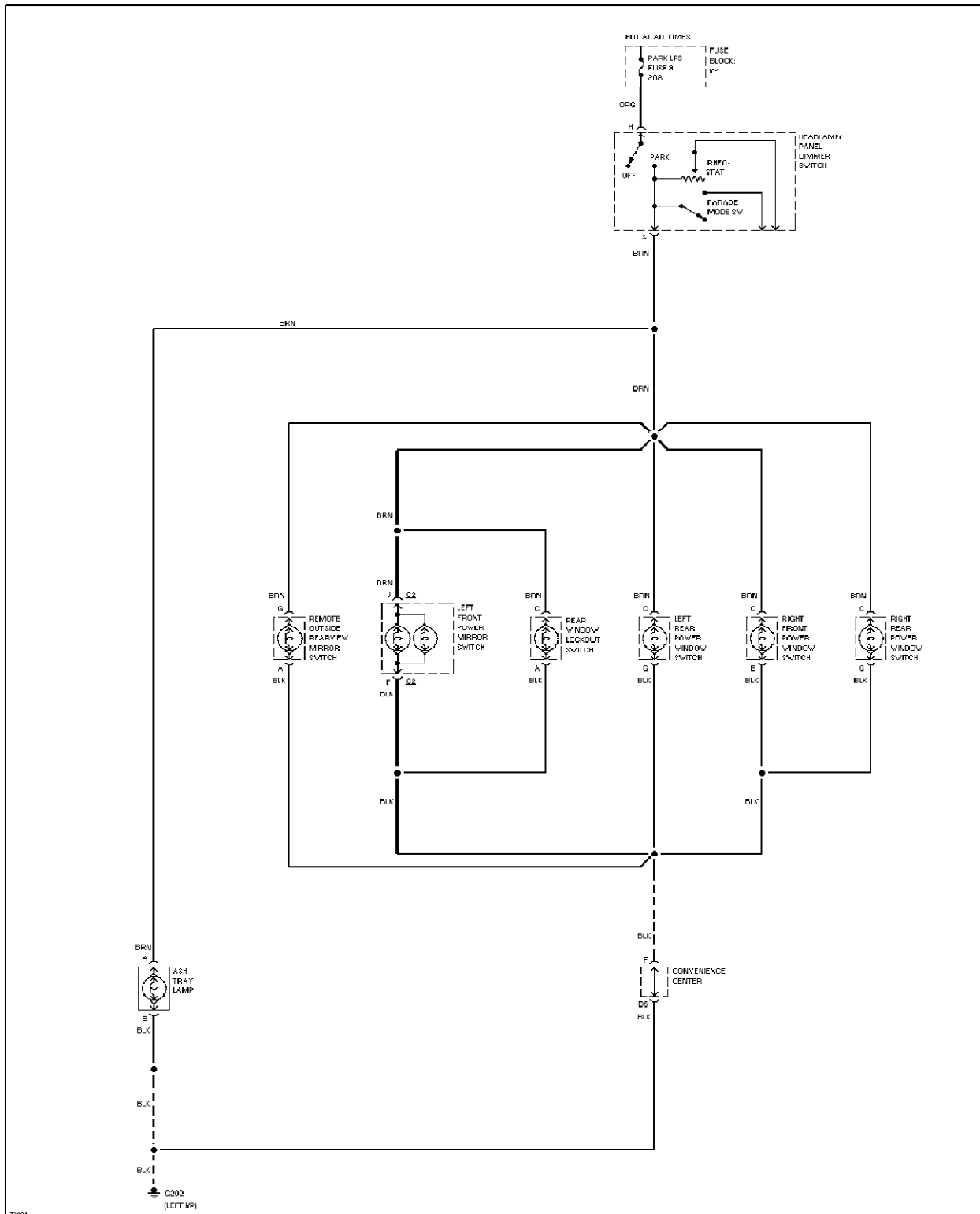
INTERIOR LIGHTS



Courtesy Lamps Circuit, W/ Auxiliary Lighting

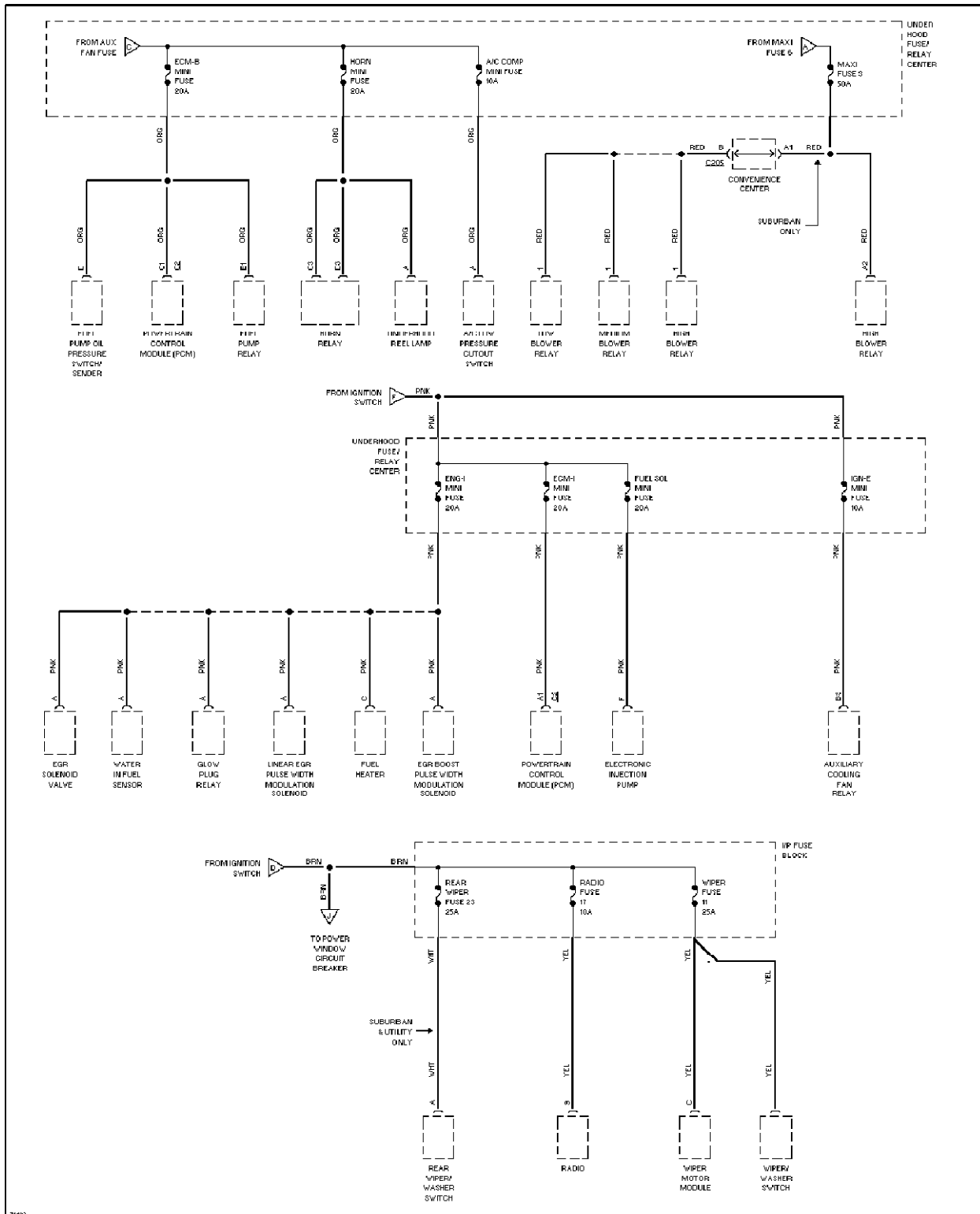


Courtesy Lamps Circuit, W/O Auxiliary Lighting

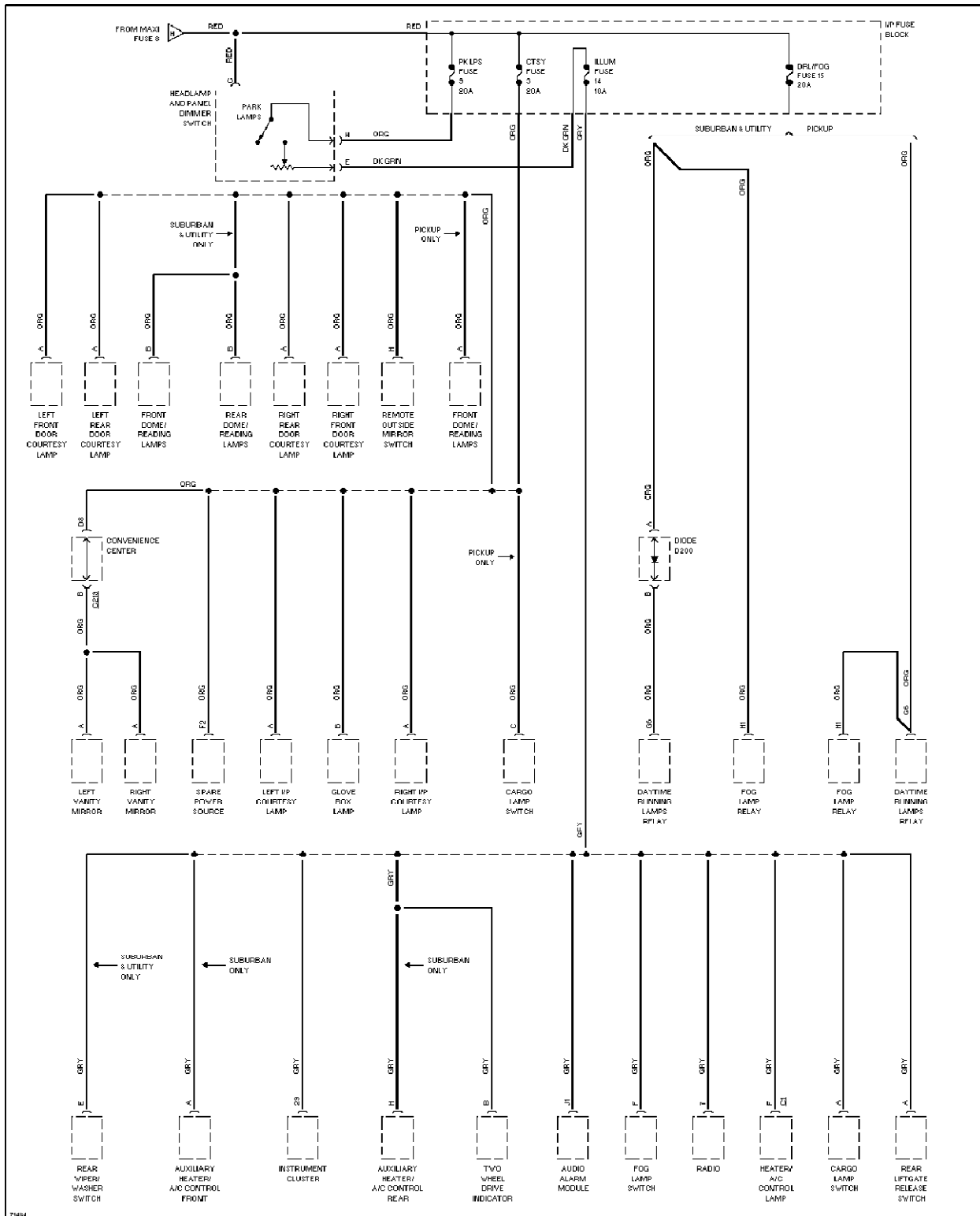


Instrument Illumination Circuit (2 of 2)

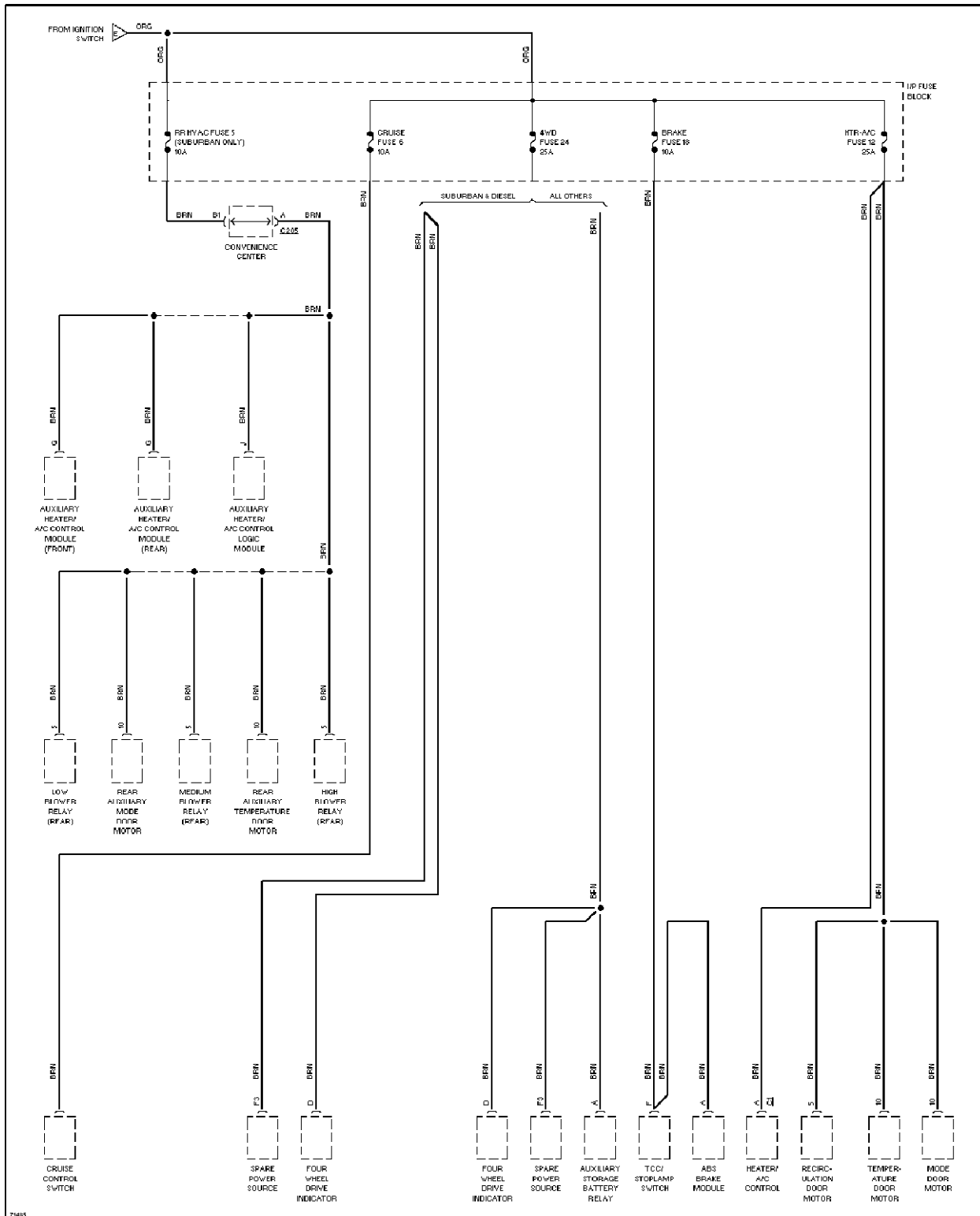
POWER DISTRIBUTION



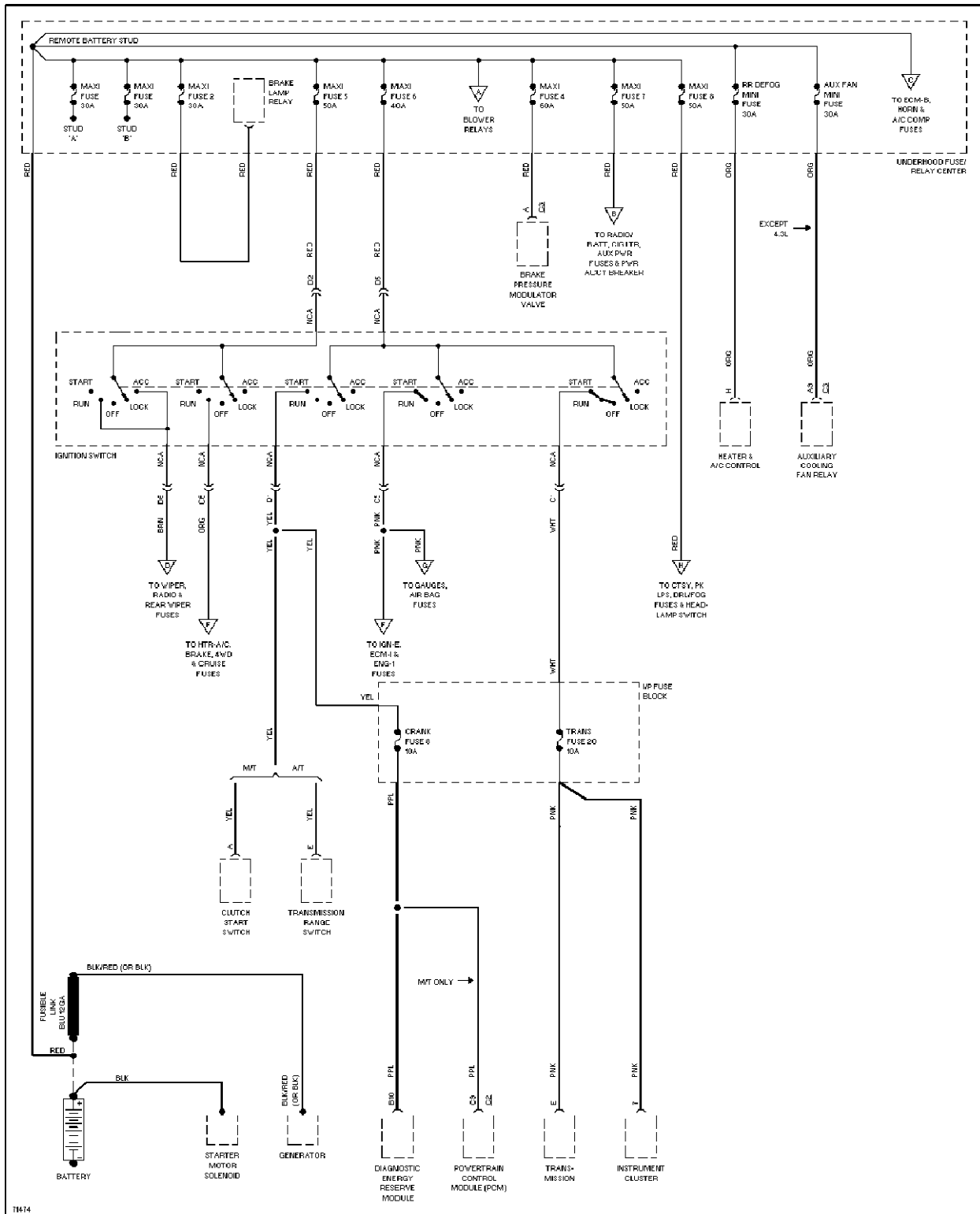
Power Distribution Circuit, Diesel (2 of 6)



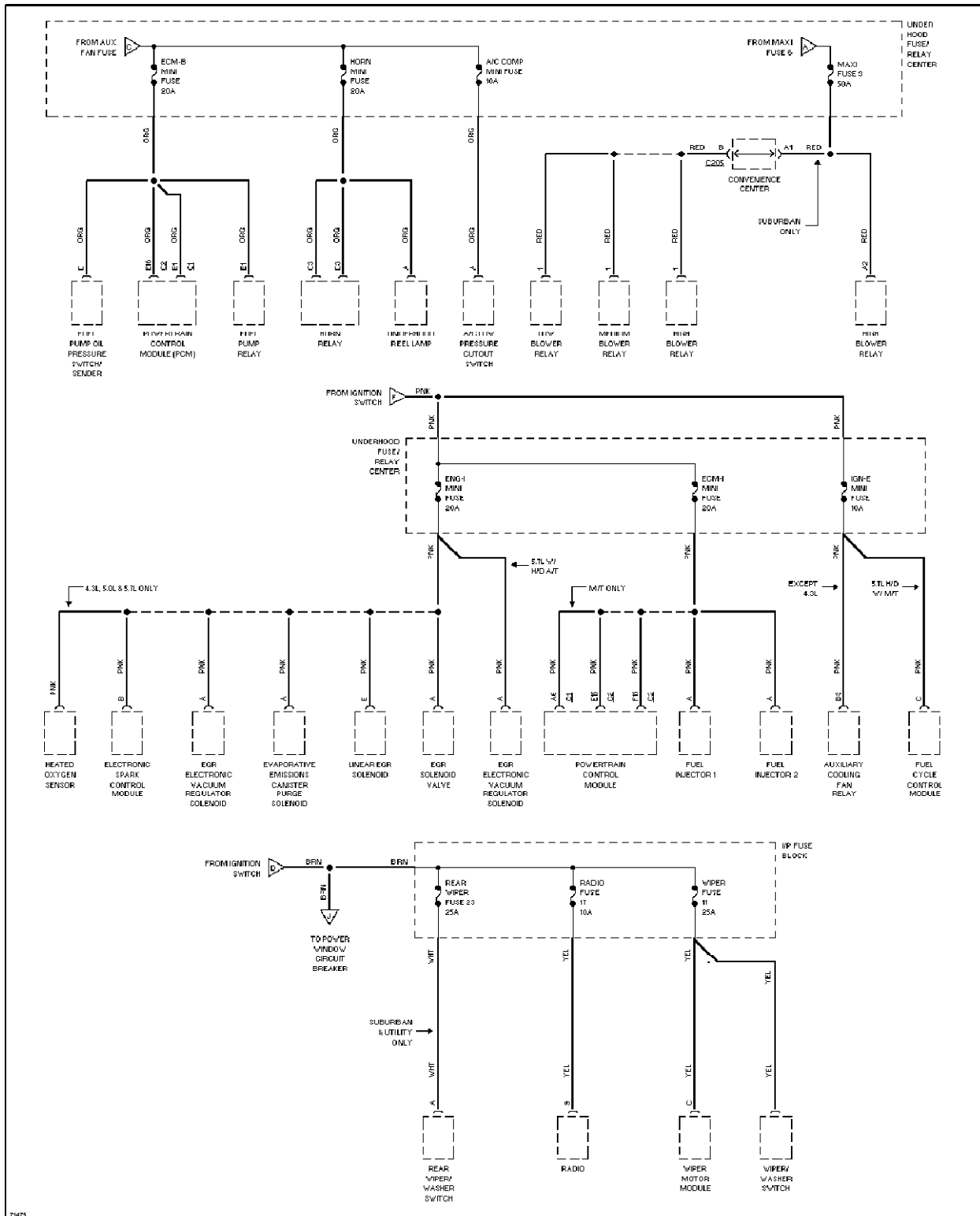
Power Distribution Circuit, Diesel (4 of 6)



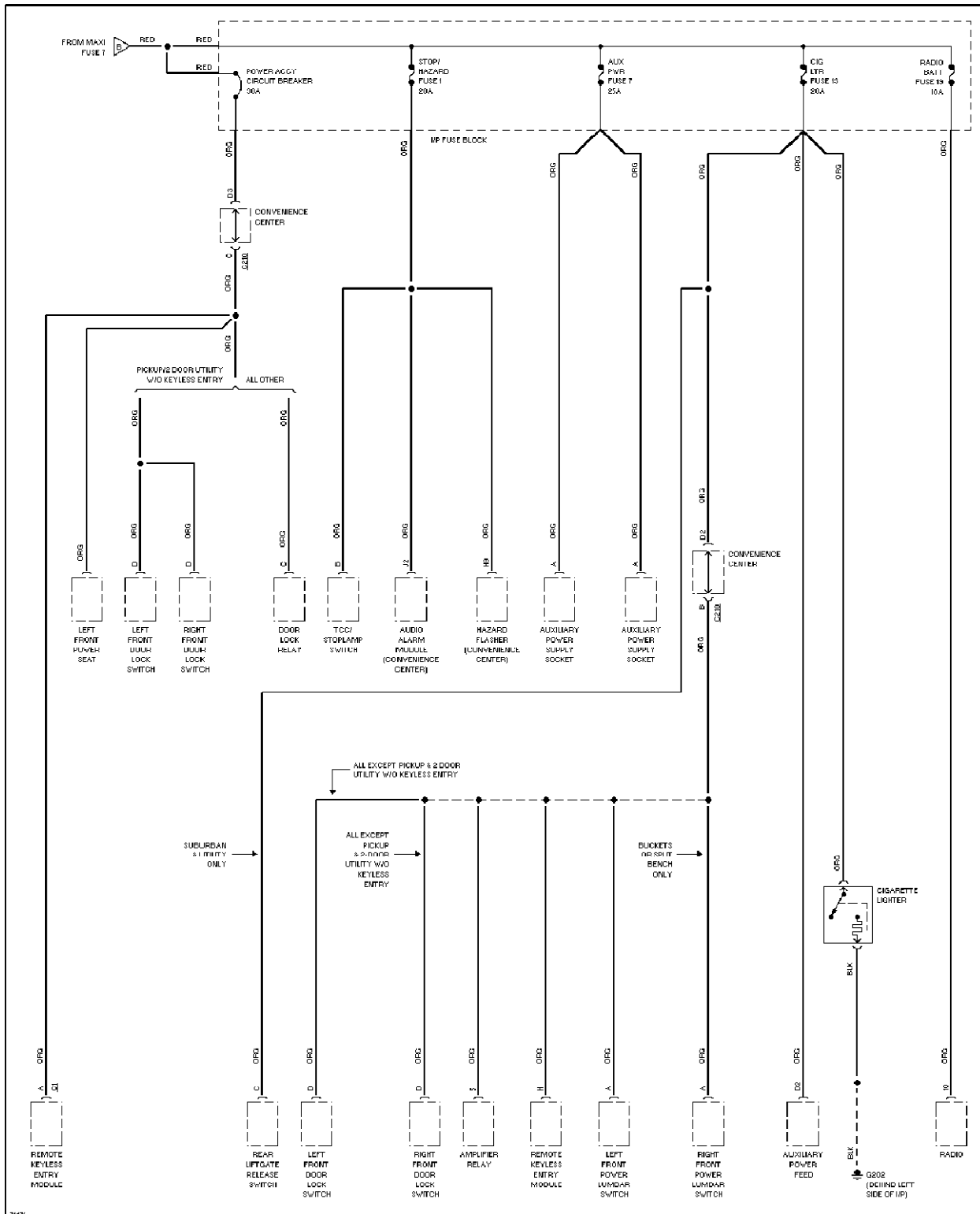
Power Distribution Circuit, Diesel (5 of 6)



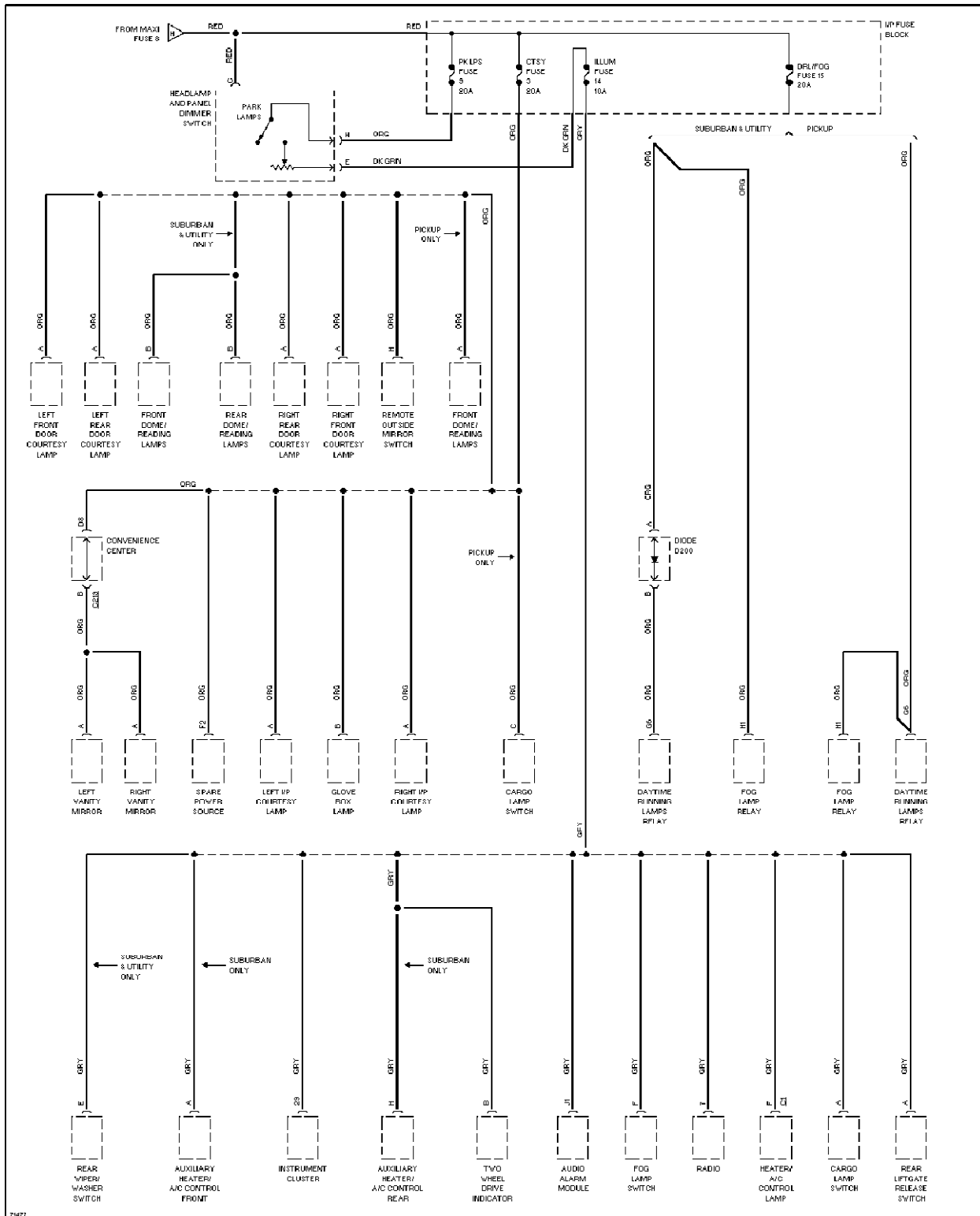
Power Distribution Circuit, Gasoline (1 of 6)



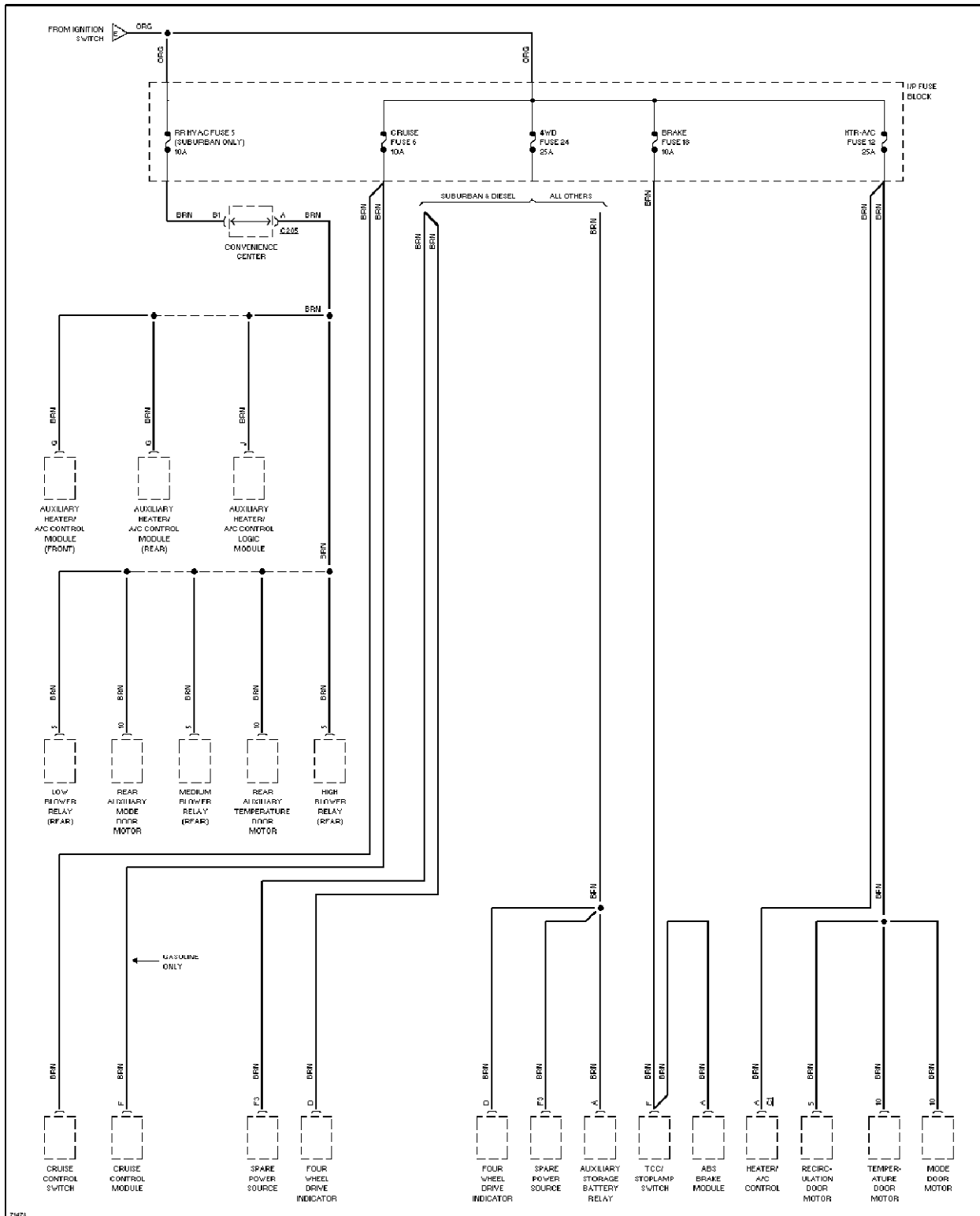
Power Distribution Circuit, Gasoline (2 of 6)



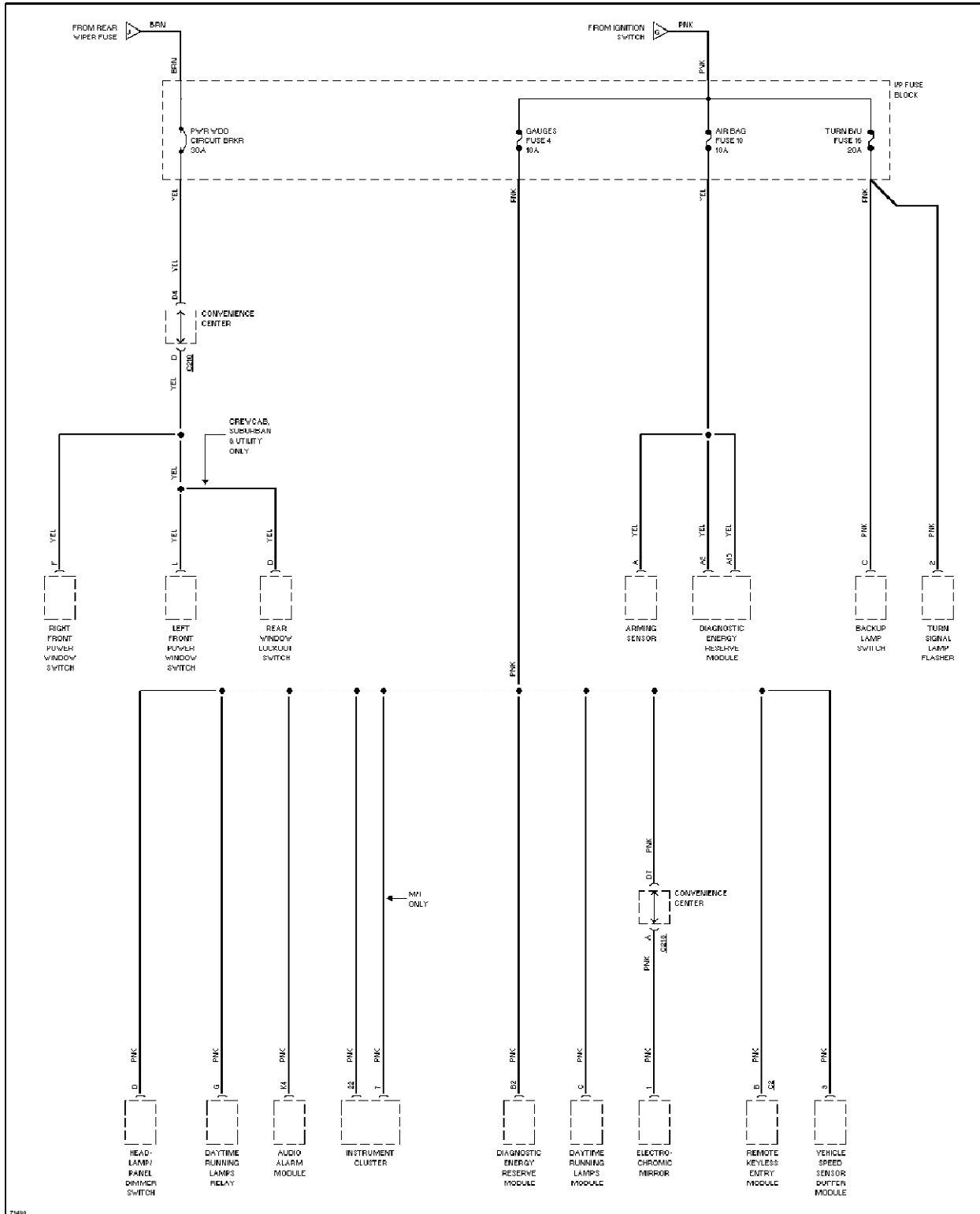
Power Distribution Circuit, Gasoline (3 of 6)



Power Distribution Circuit, Gasoline (4 of 6)

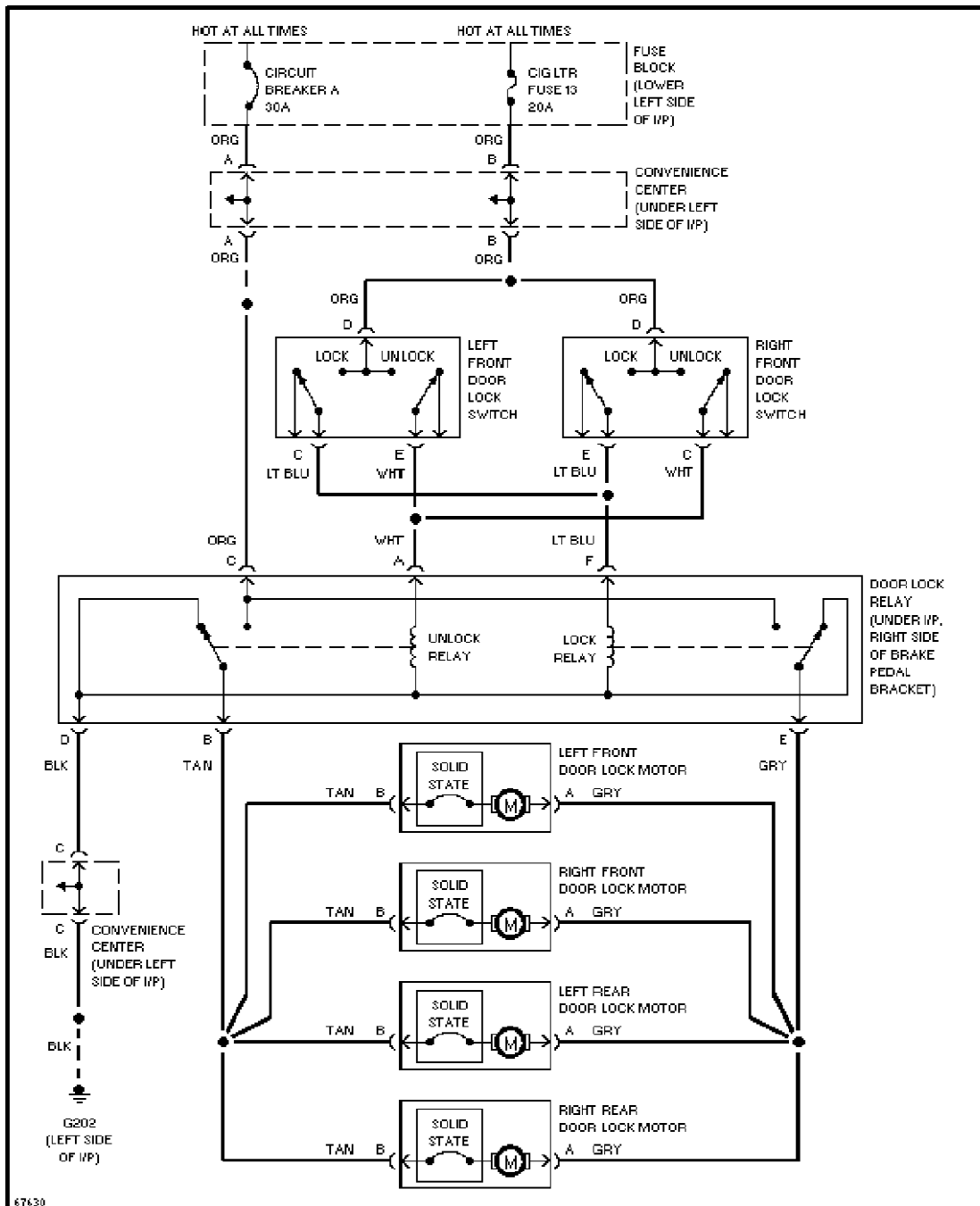


Power Distribution Circuit, Gasoline (5 of 6)

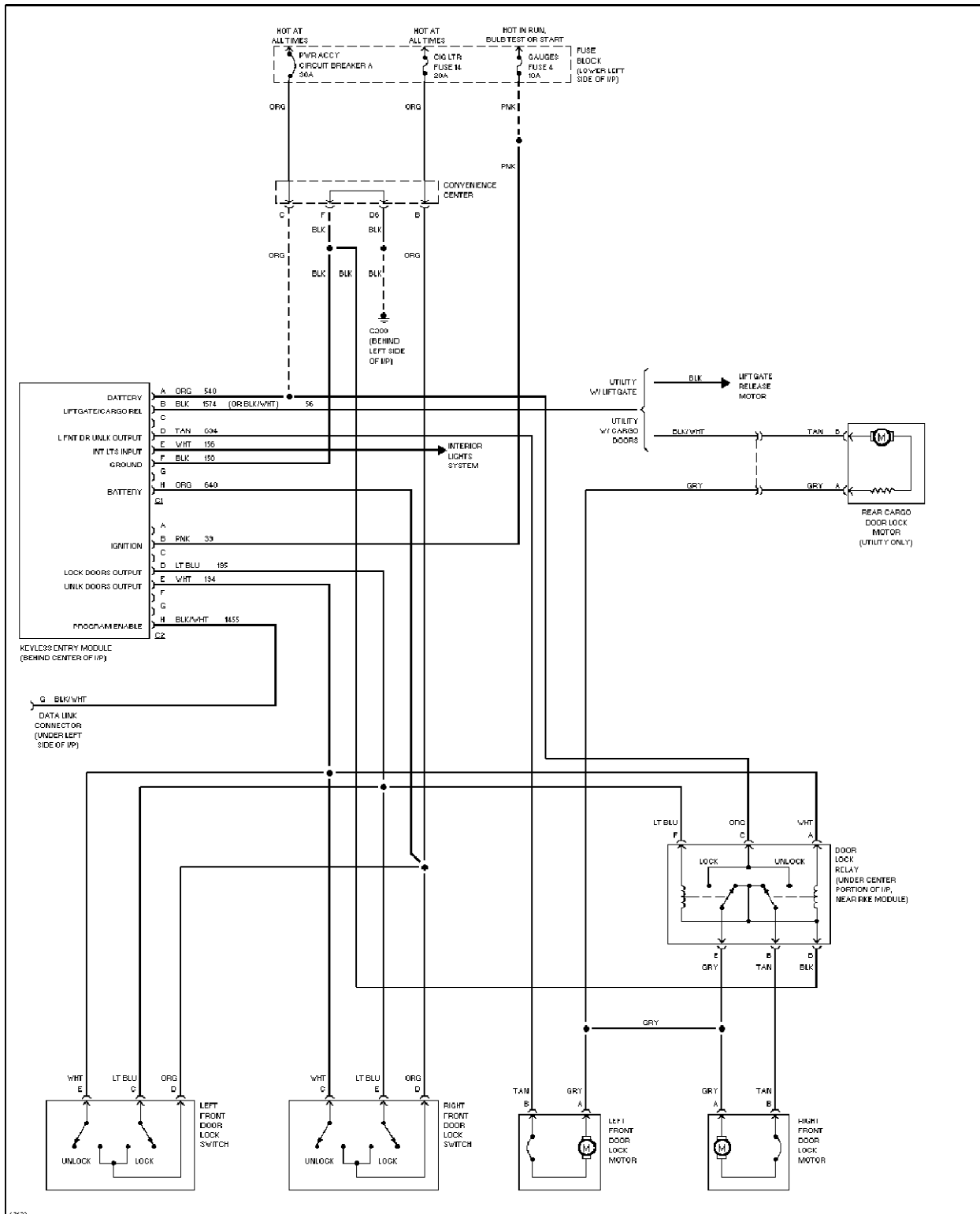


Power Distribution Circuit, Gasoline (6 of 6)

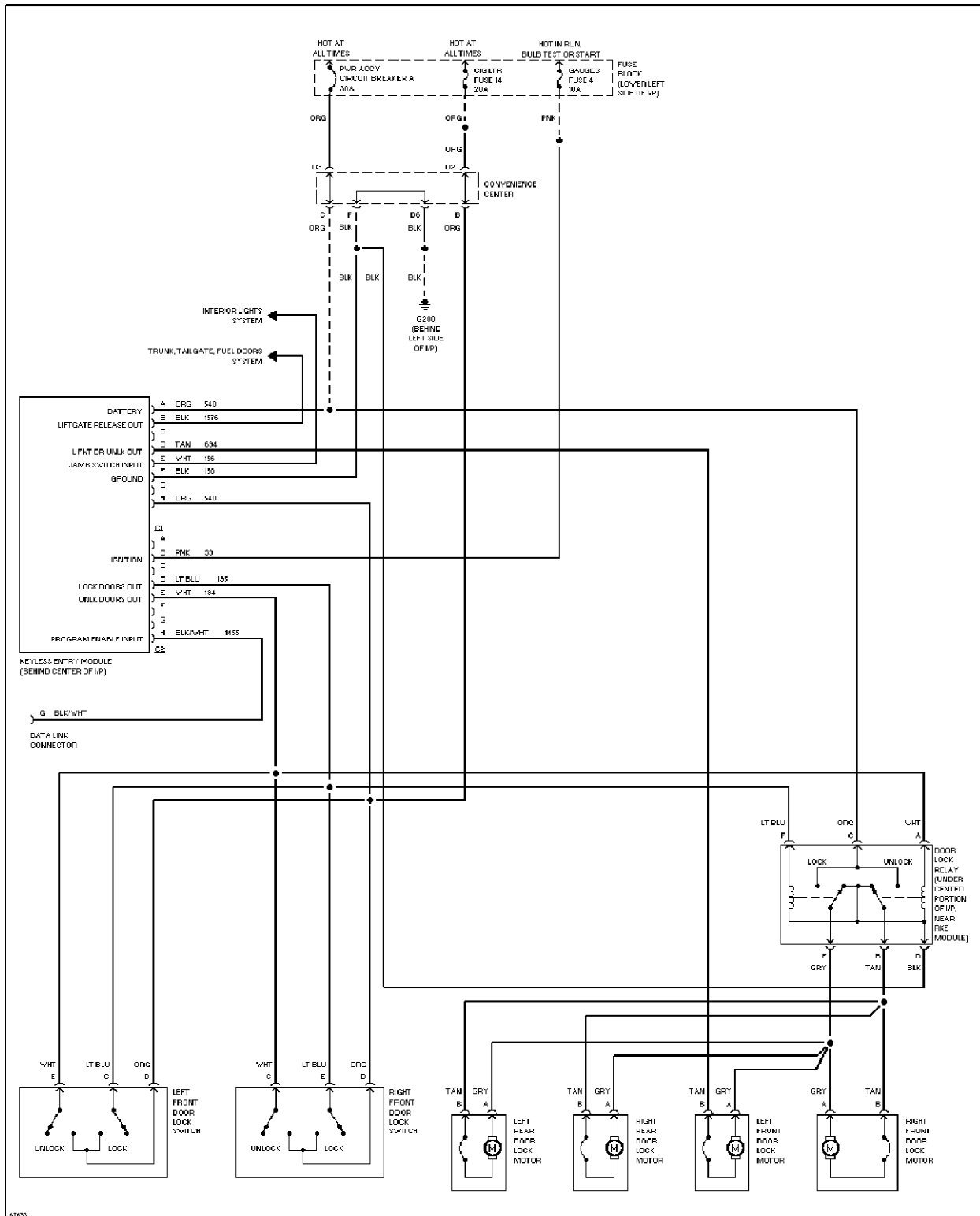
POWER DOOR LOCKS



Door Lock Circuit, 4 Door

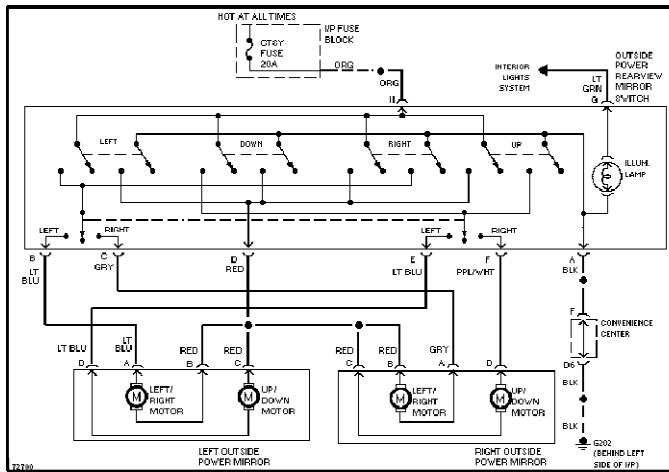


Keyless Entry Circuit, 2 Door



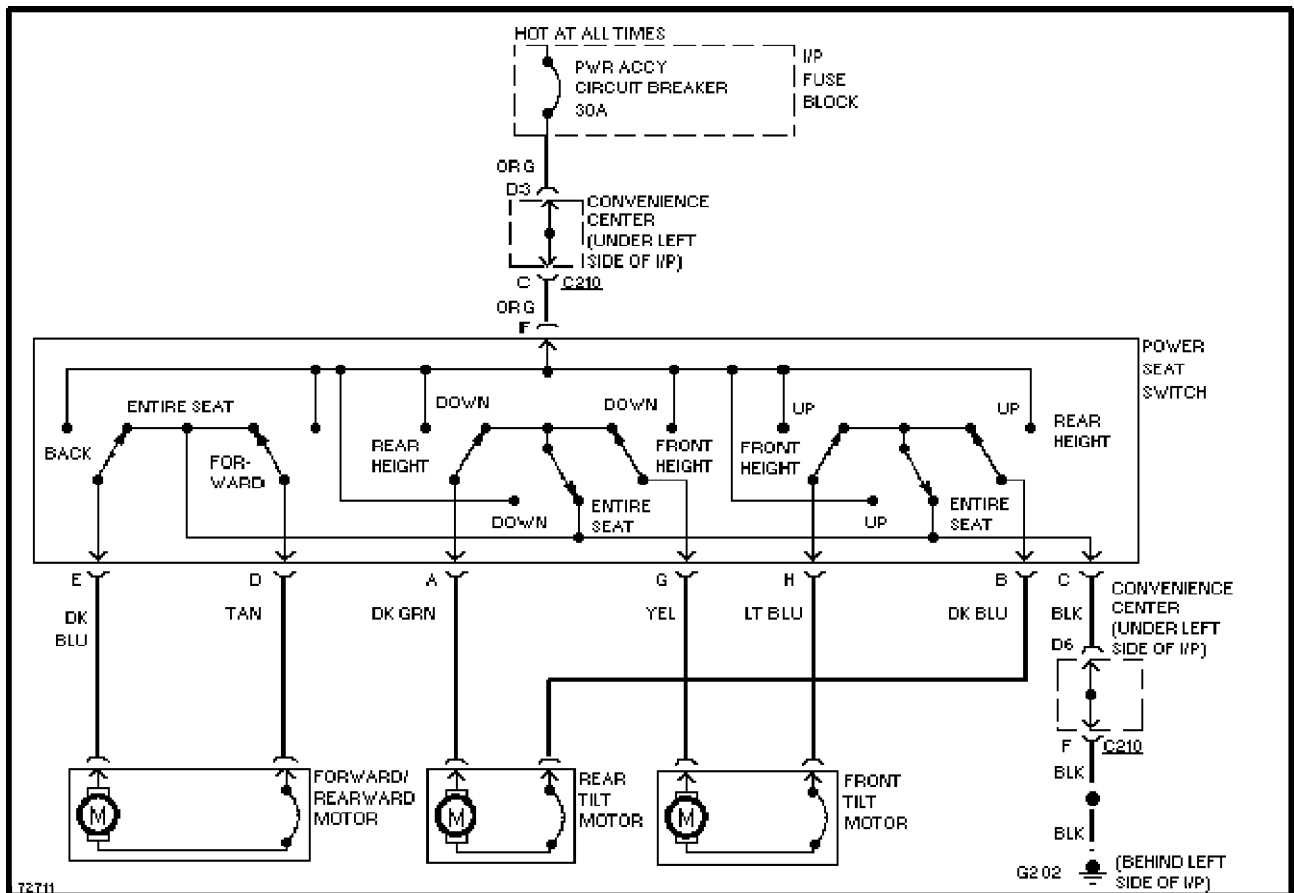
Keyless Entry Circuit, 4 Door

POWER MIRRORS

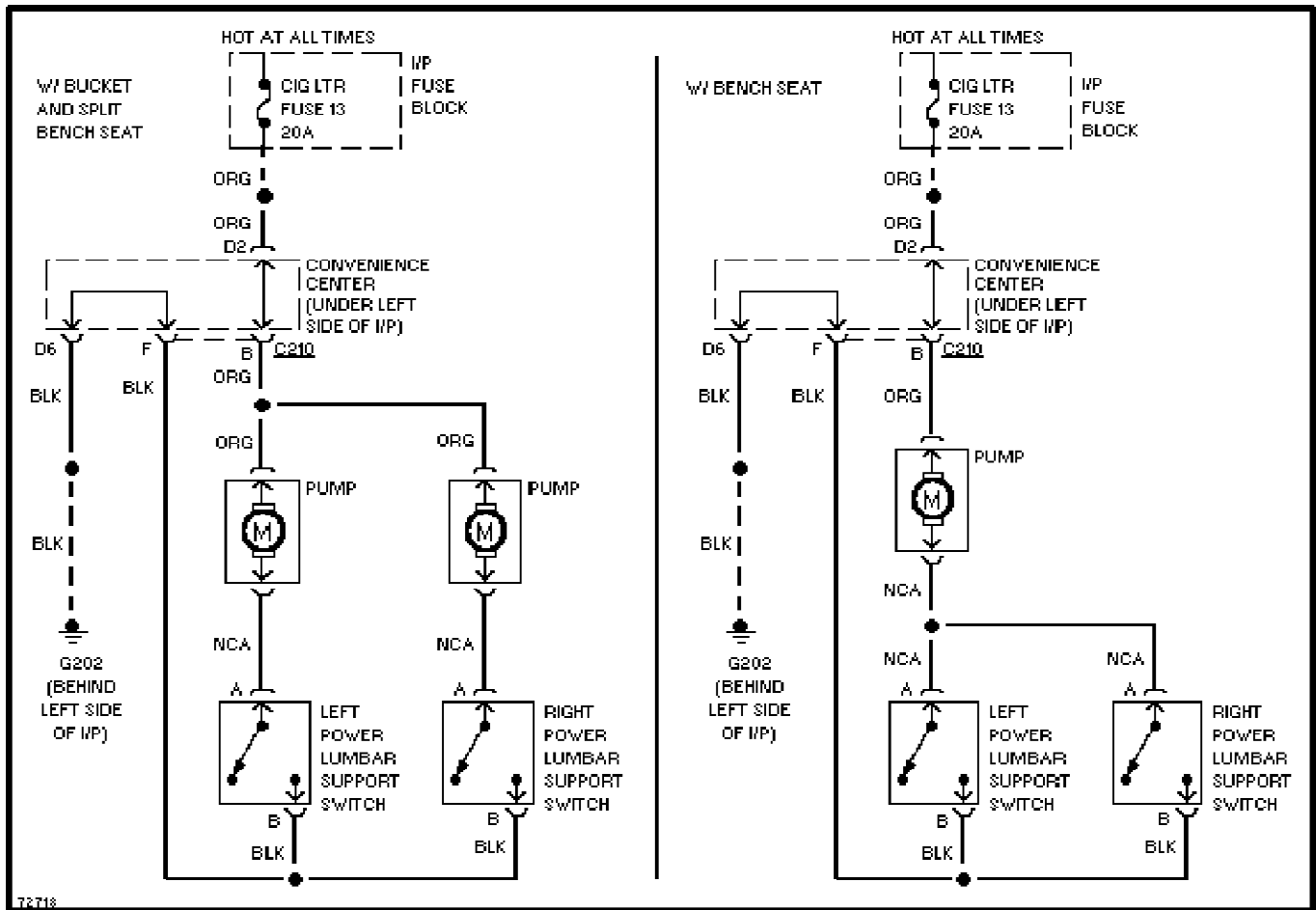


Power Mirror Circuit

POWER SEATS

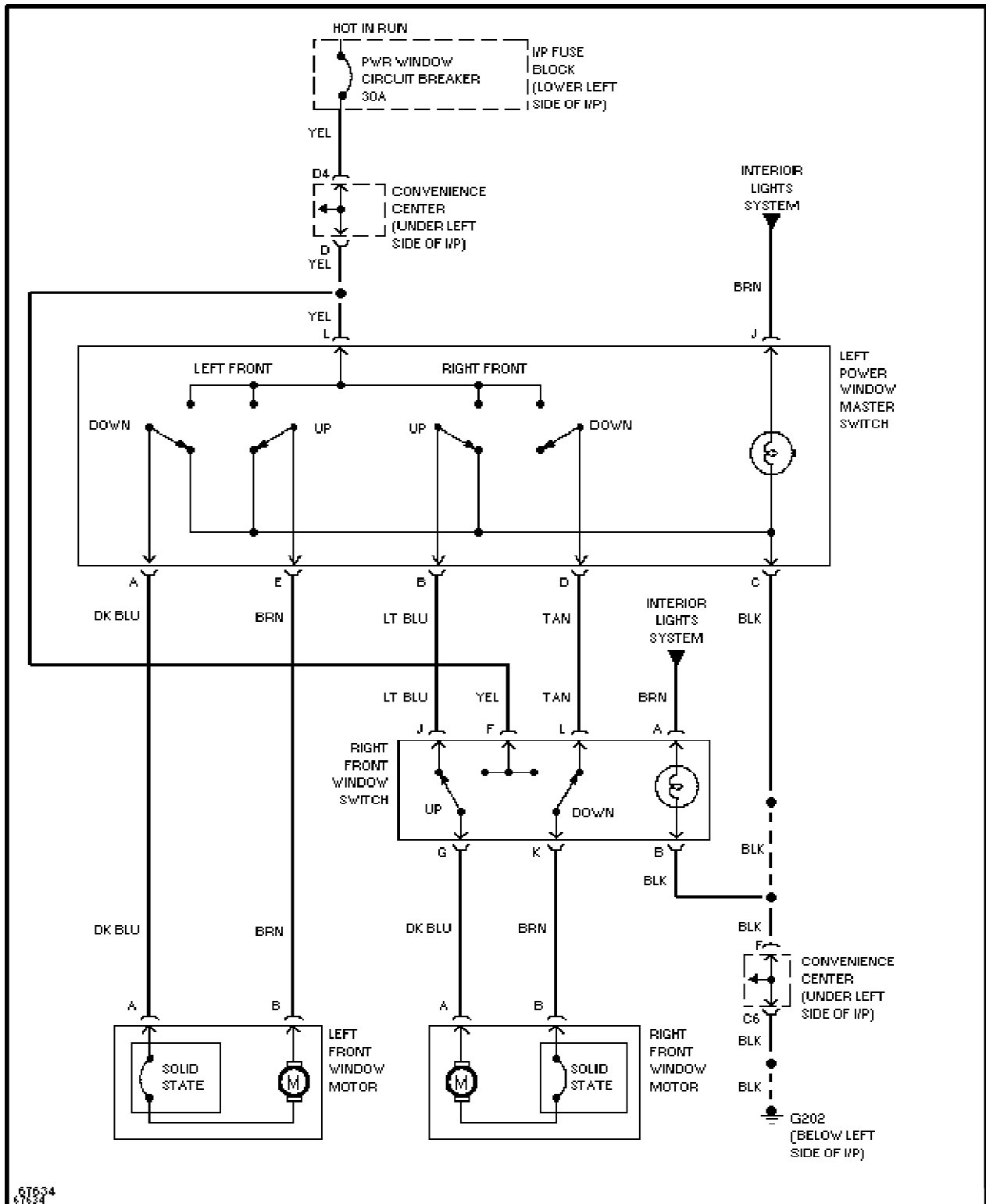


6-Way Power Seat Circuit

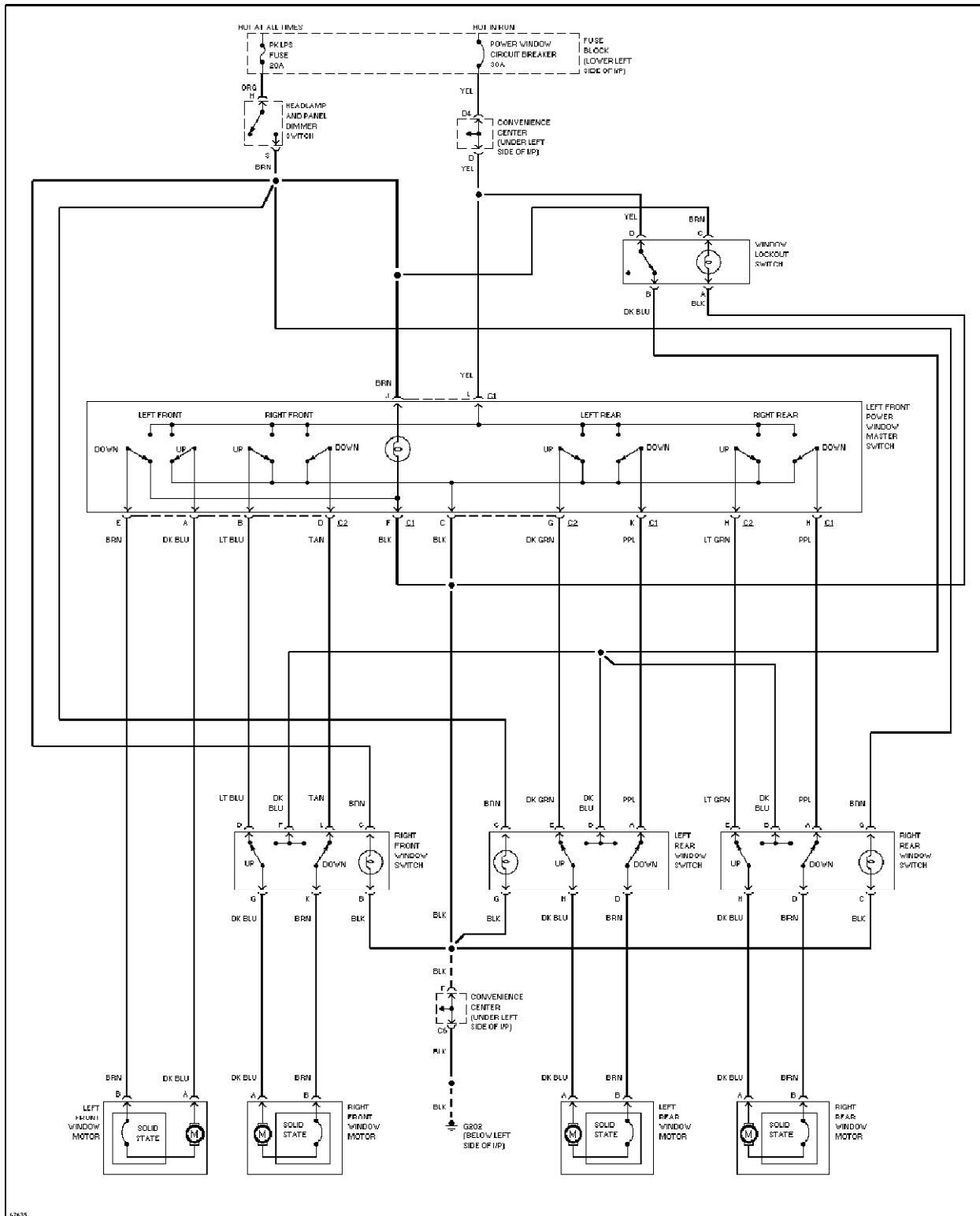


Lumbar Circuit

POWER WINDOWS

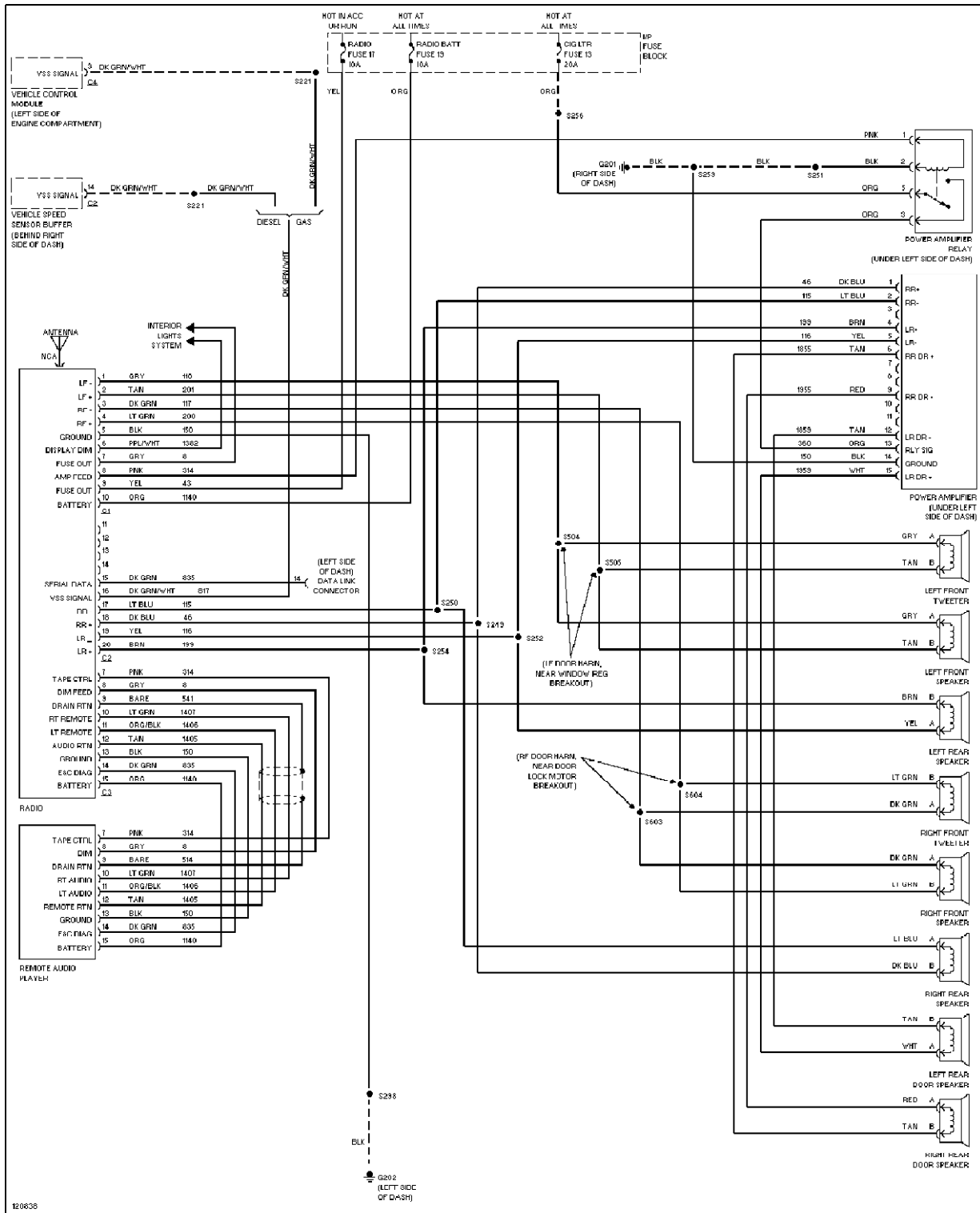


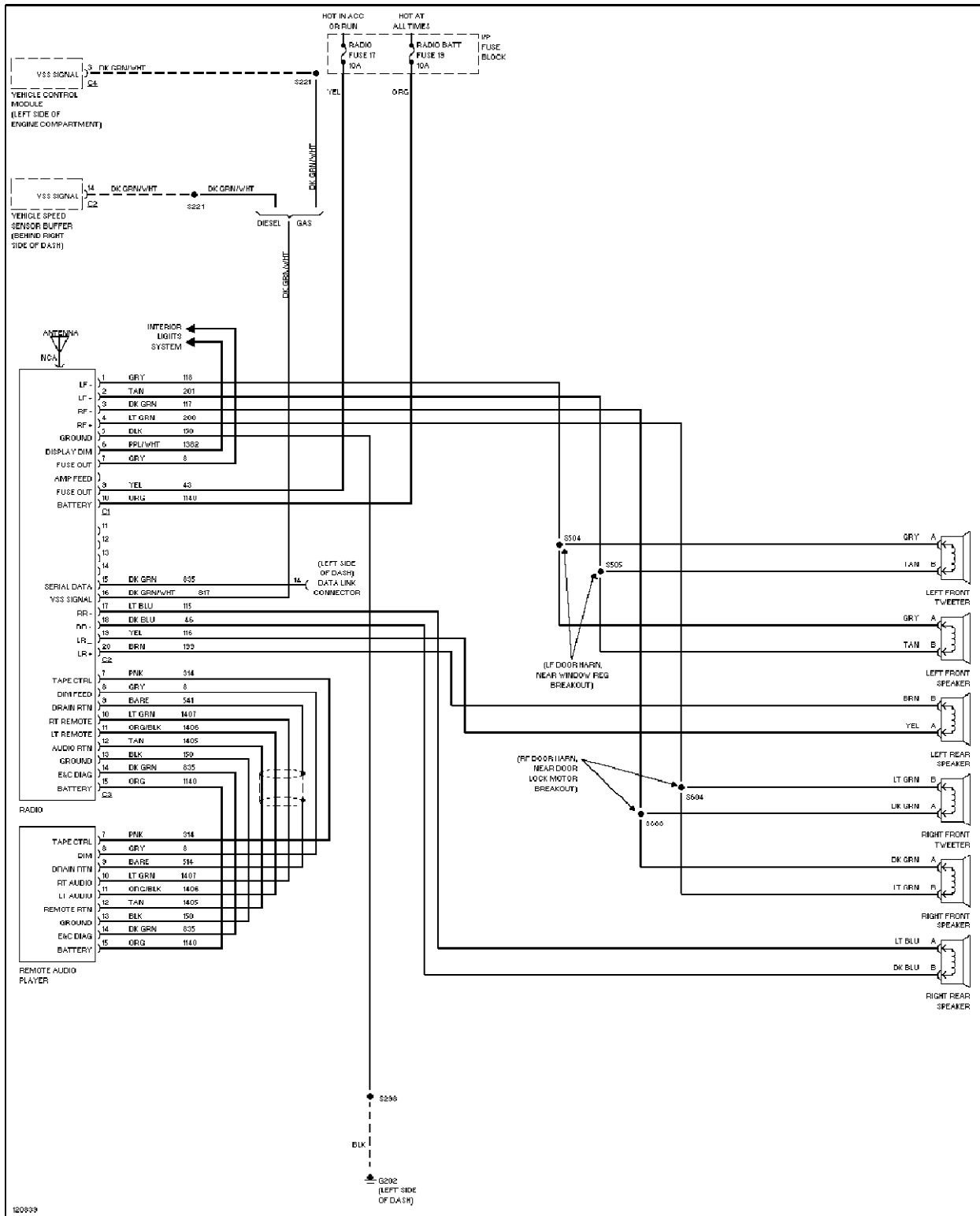
Power Window Circuit, 2 Door



Power Window Circuit, 4 Door

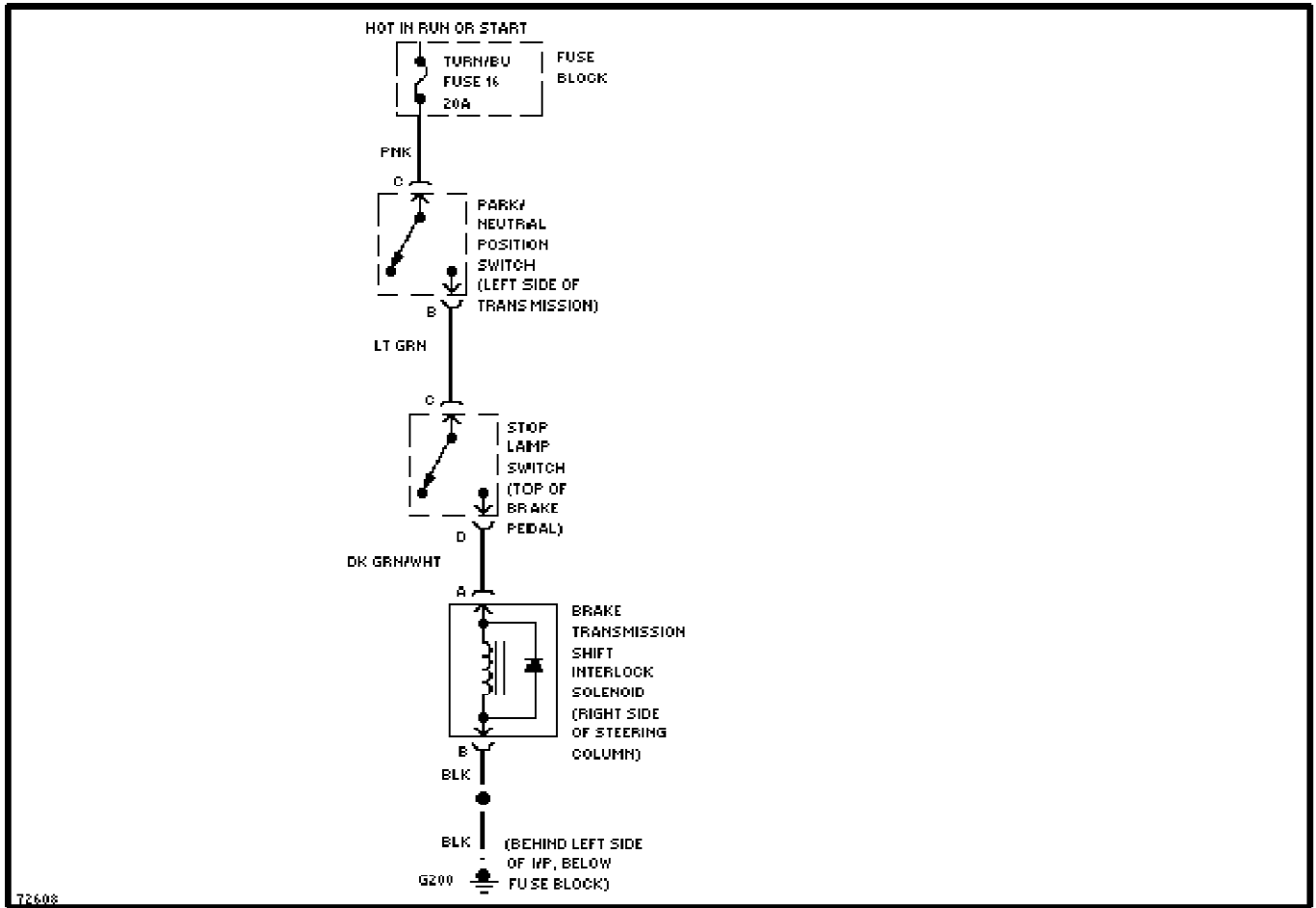
RADIO





Radio Circuits, W/O Amplifier

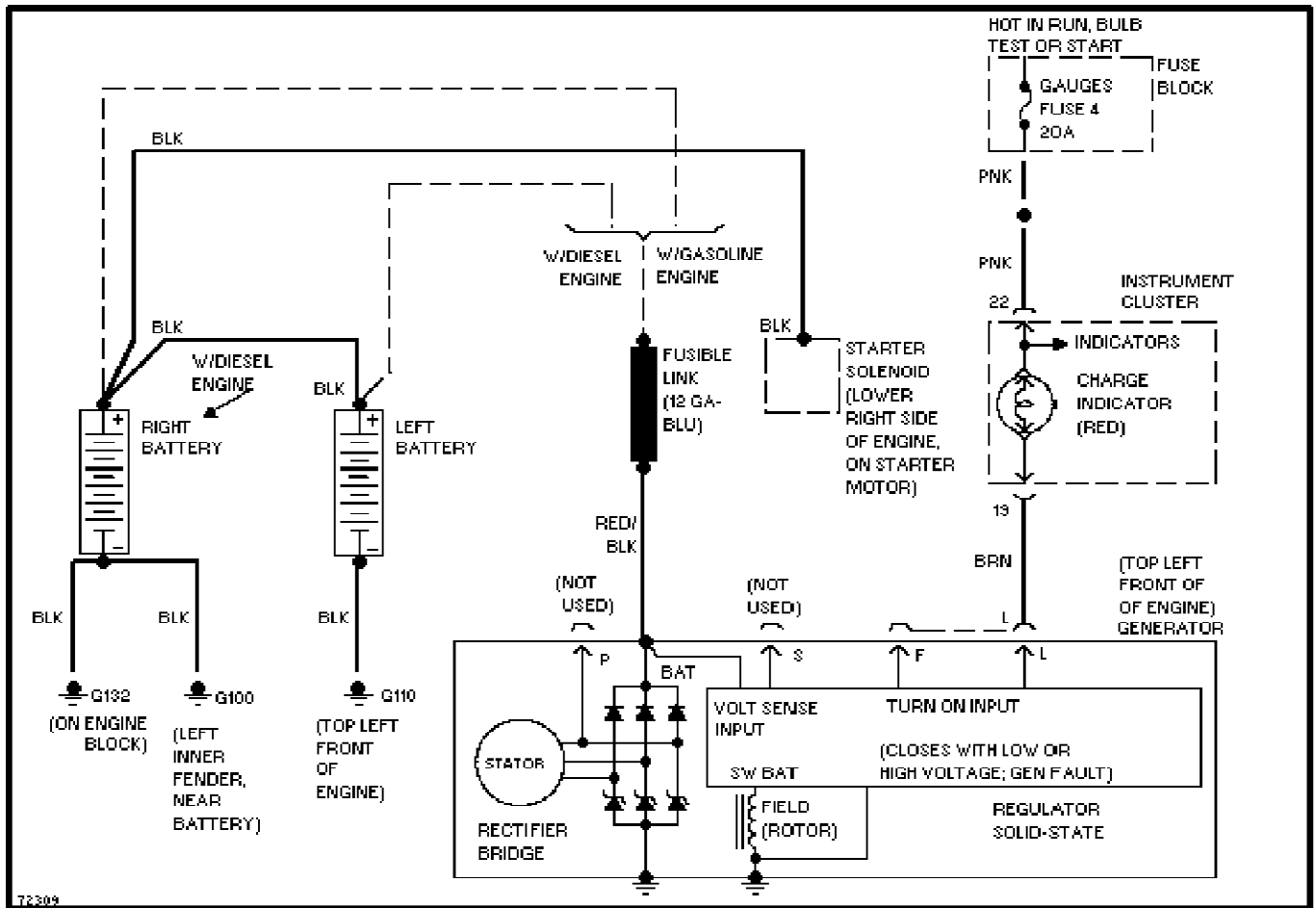
SHIFT INTERLOCKS



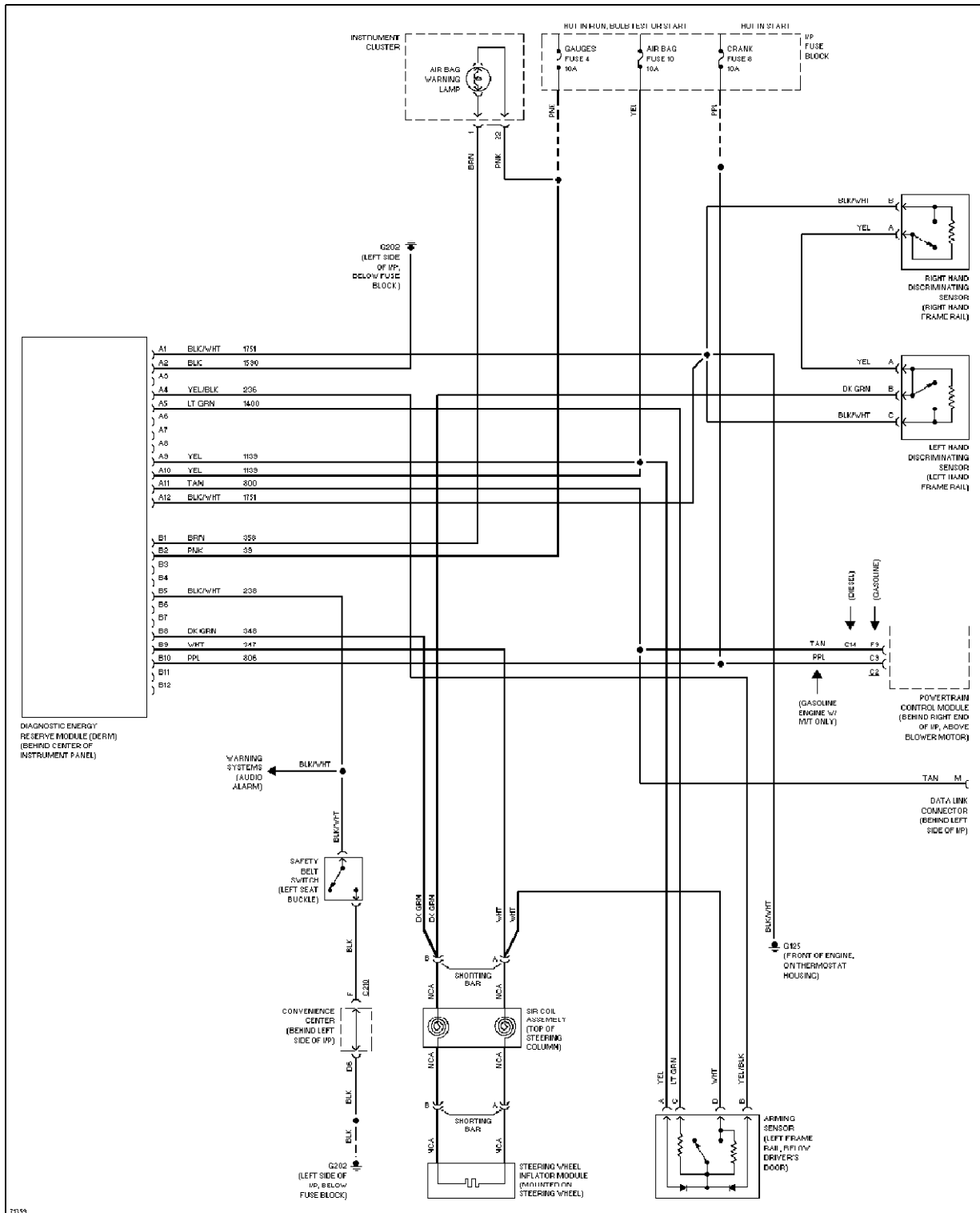
72608

Shift Interlock Circuit

STARTING/CHARGING



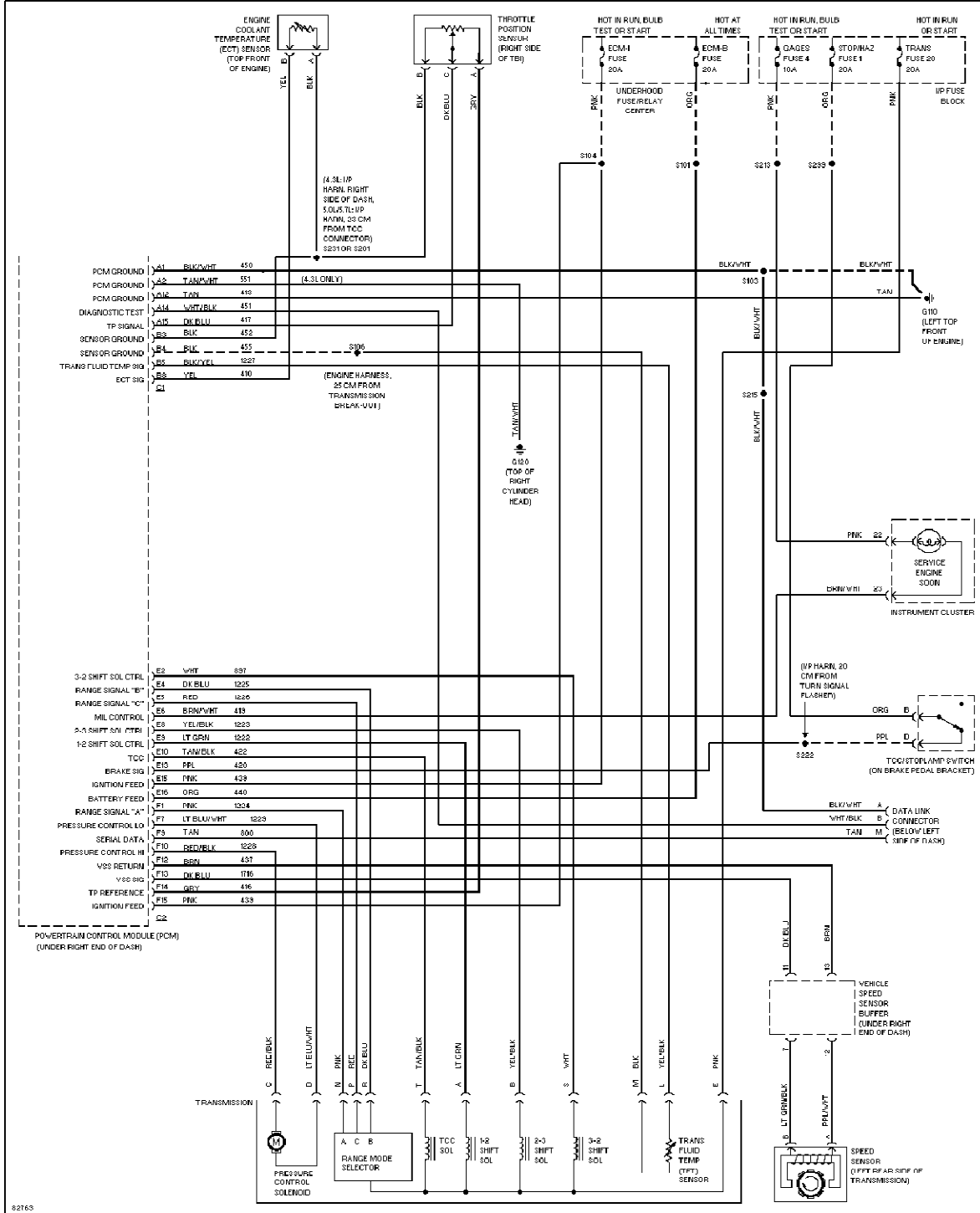
72309
Charging Circuit



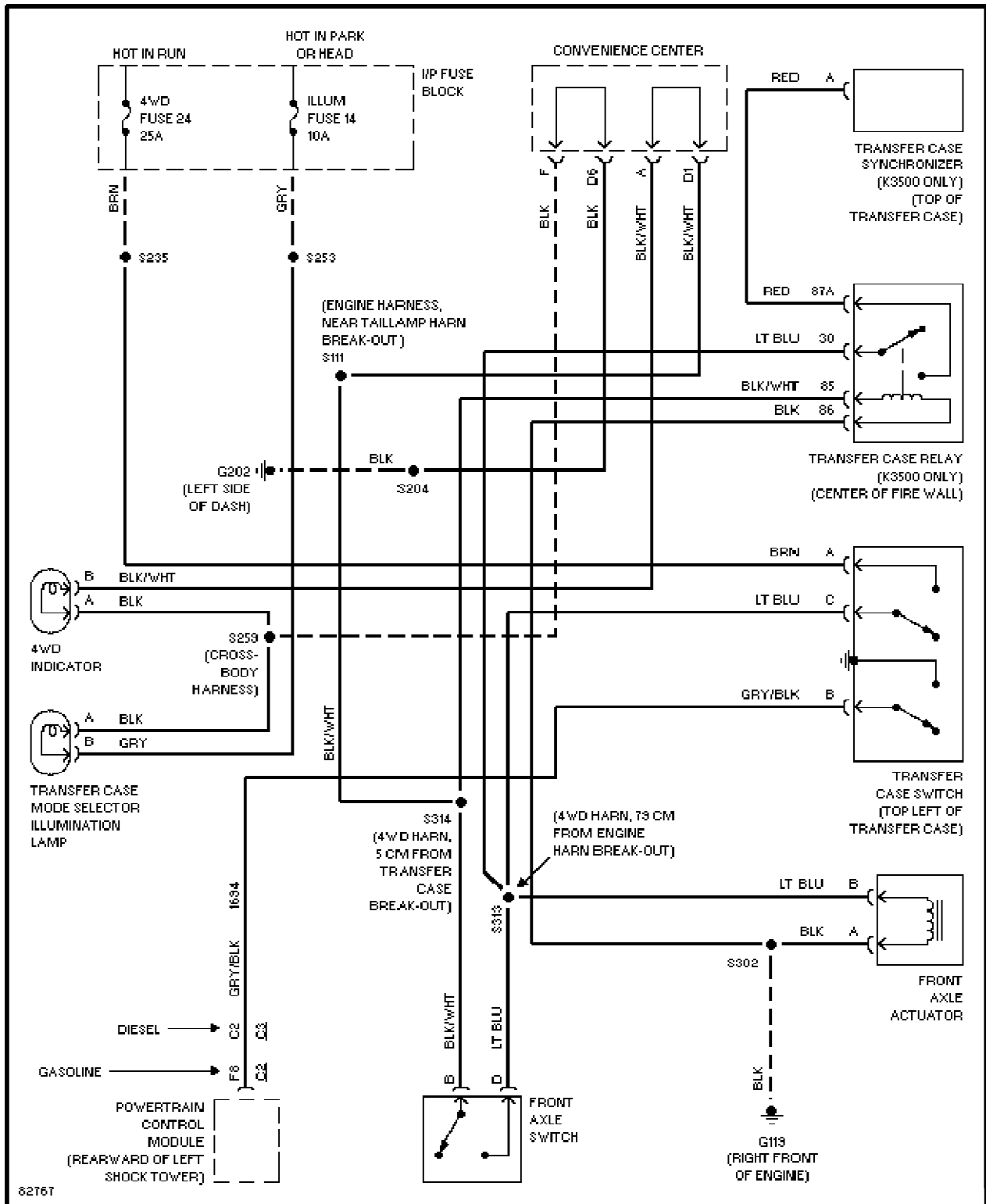
Supplemental Restraint Circuit

TRANSMISSION

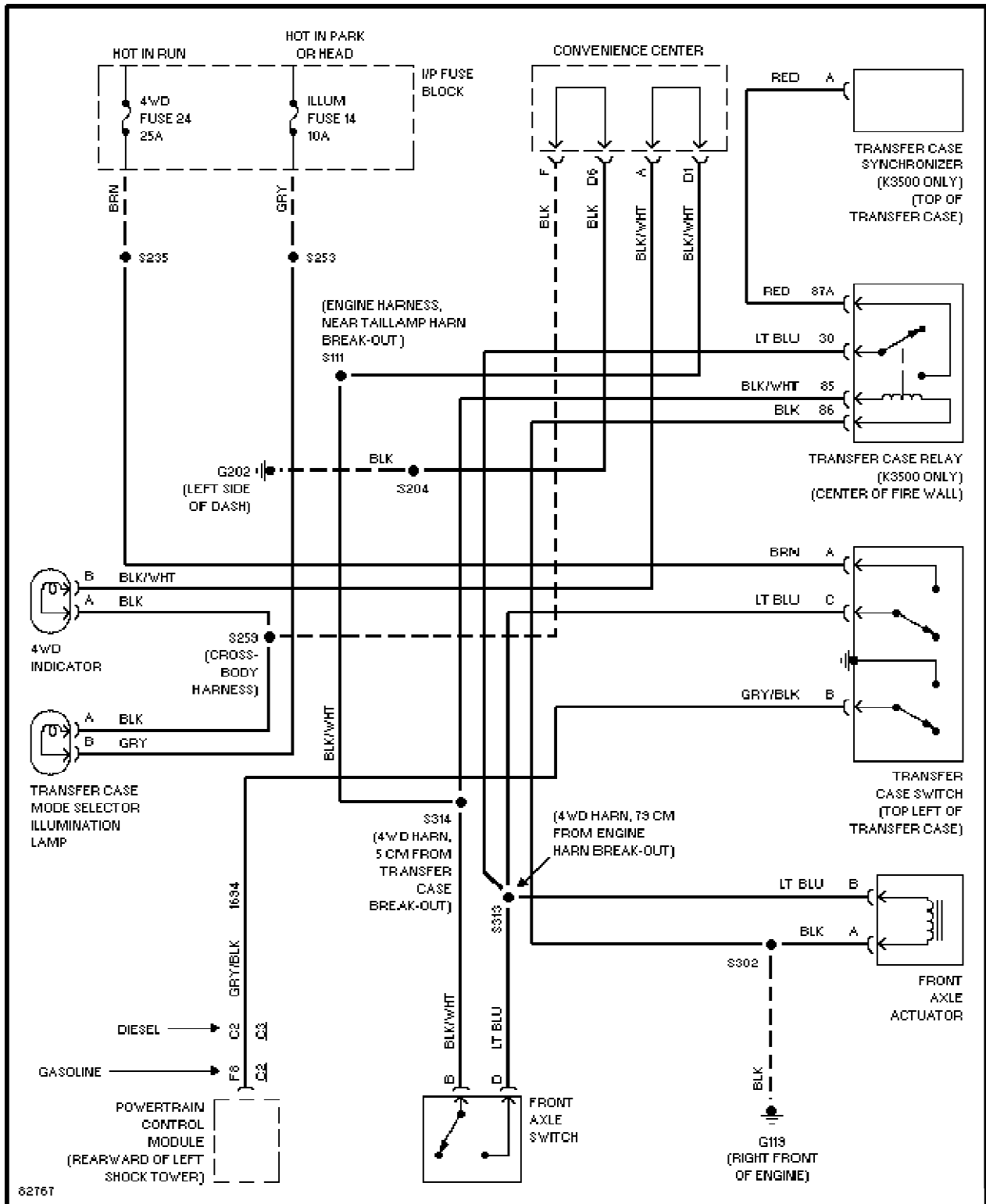
5.7L



5.7L (VIN K), Transmission Circuit, 4L60-E

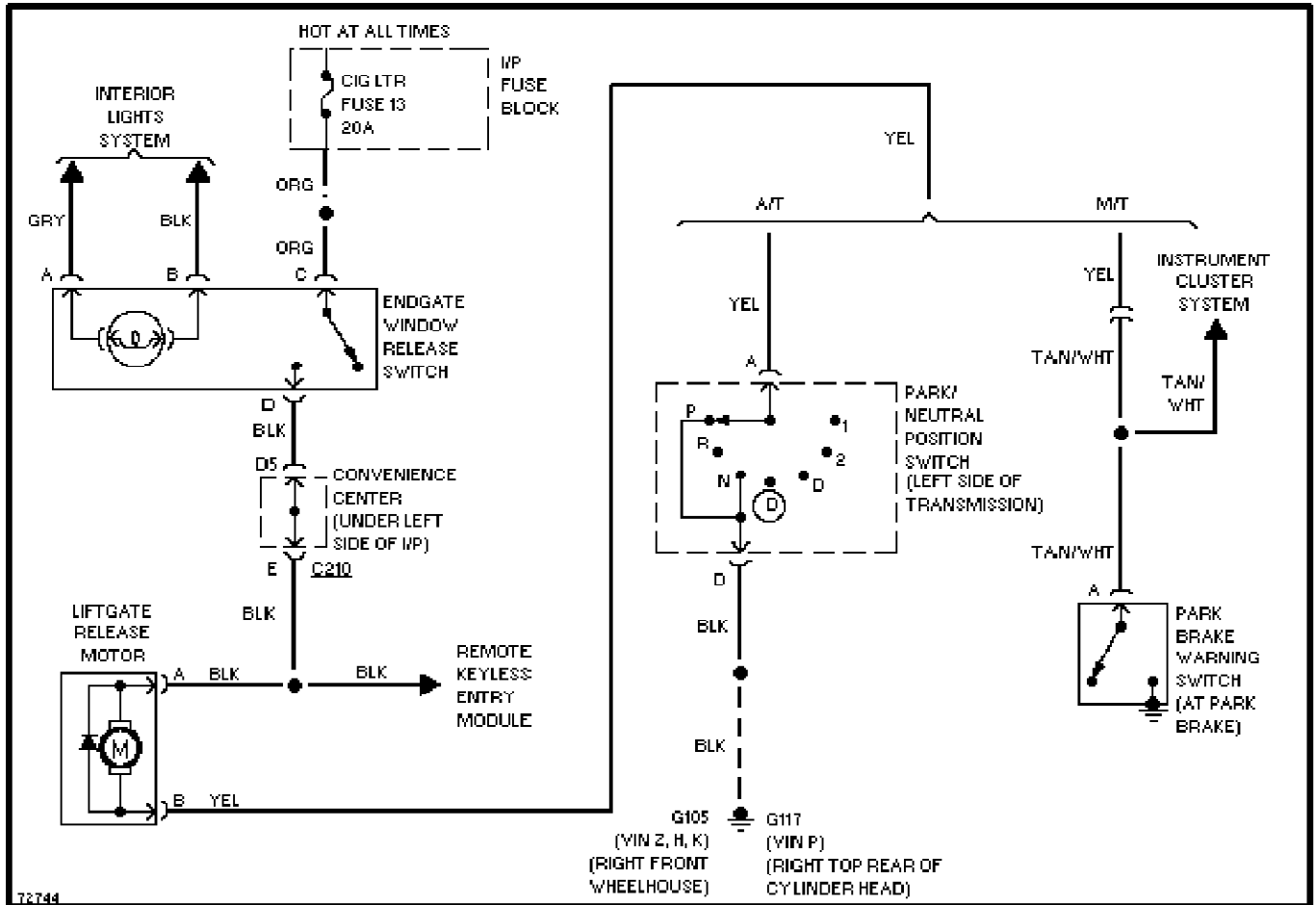


Transfer Case Circuit



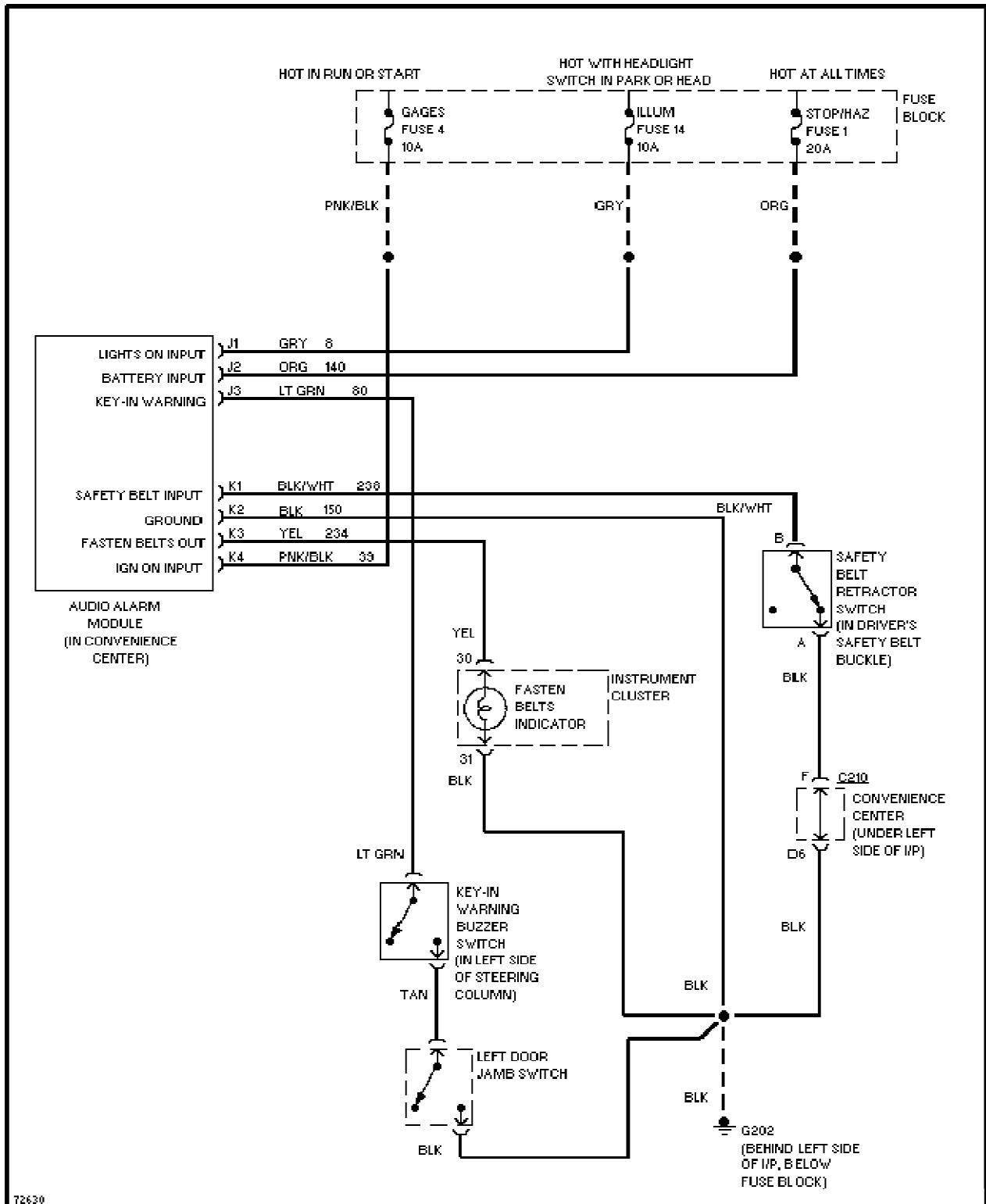
Transfer Case Circuit

TRUNK, TAILGATE, FUEL DOOR



Rear Glass Release Circuit

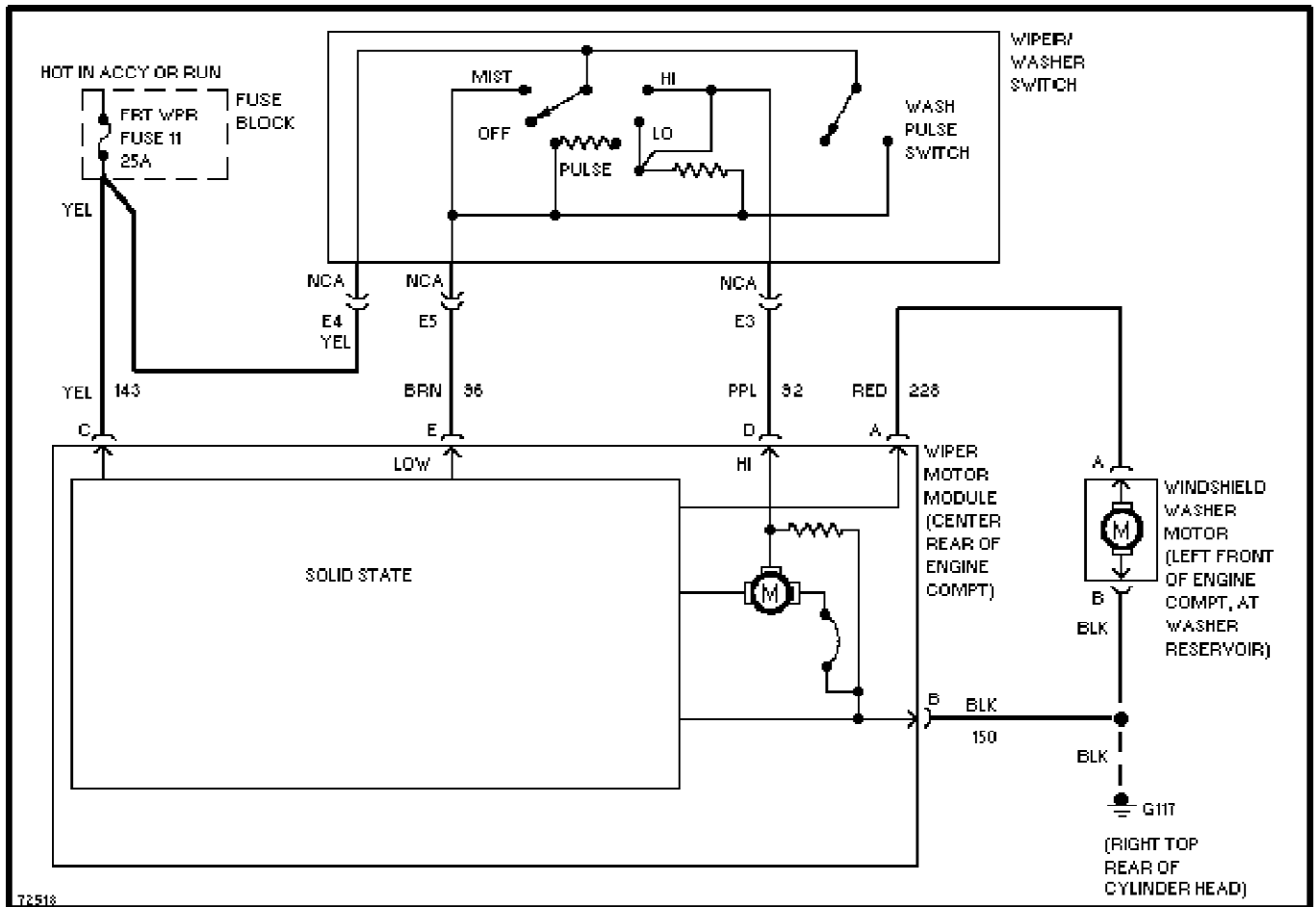
WARNING SYSTEMS



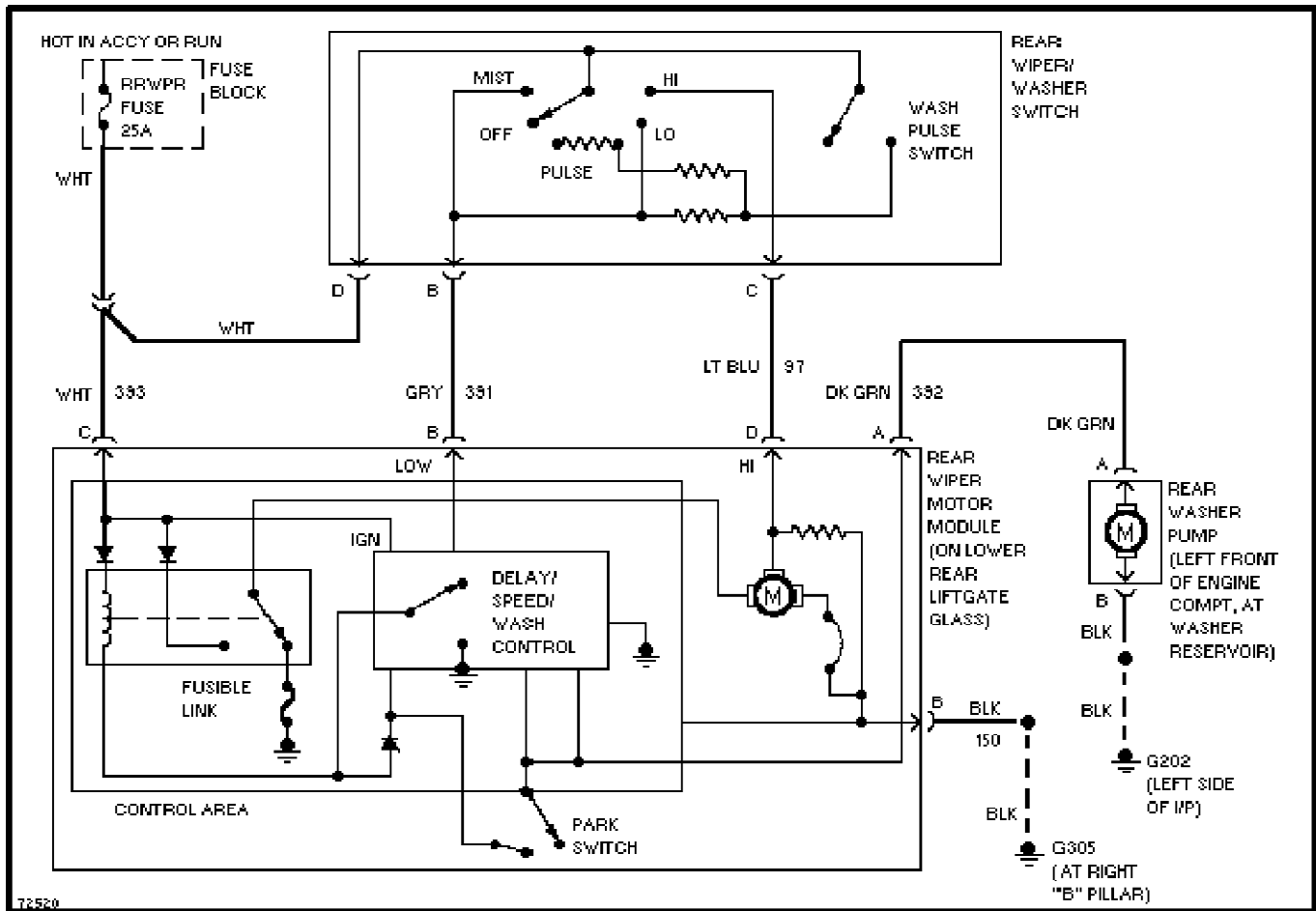
72630

Warning System Circuits

WIPER/WASHER



72518
Front Washer/Wiper Circuit



Rear Wiper/Washer Circuit