



CBF150M

CBF150M_E

PARTS CATALOGUE

1

FOREWORD INDEX

1

ENGINE GROUP

2

FRAME GROUP

3

PART NUMBER INDEX

4

PART NAME INDEX

5

Instruction for use of parts catalogue

- **This parts catalogue has been created as of April 20, 2013.**
 - Since this date, the sales practice for repair parts may have been changed or the parts may have been eliminated (listed for those not for sale).
 - The modified information is reflected on the latest Electronic Parts Catalogue (EPC). Also, refer to the parts catalogue news for any change.
 - See the parts catalogue news for any revision that is made after April 20, 2013.
- **Always specify the part number when ordering a part.**
 - Check the model, type, serial numbers, color, maker, and the size as needed before ordering a part.
 - Note that the illustrations (part drawings) can differ from the actual parts in shape. They are given just to help you to refer to the parts.
- **When modifications or additions to this parts catalogue are made, a revised edition will be issued at an appropriate time, with successively progressing revision numbers on the cover. We recommend obtaining such revisions in order to keep your parts catalogue up-to-date at all times. To check whether a parts catalogue revision has been issued, please contact your Honda distributor.**

Initial version issue date
 April 20, 2013
Honda Motor Co., Ltd.

CONTENTS

	Page	Address No.	
● Instruction for use of parts catalogue	1	B 1	1
● How to refer to the part information	2	B 2	
● Part catalogue structure	3	B 3	
● When the parts were revised	4	B 4	
● Abbreviations used in the parts catalogue	4	B 4	
● Part block and serial number check	5	B 5	
● Color label attachment position check	5	B 5	
● Models, parts catalogue codes and applicable serial numbers	6	B 6	
● Color label	7	B 7	
● Color chart	8	B 8	
● Fuel hose, general purpose hoses and vinyl hose	10	B10	
● FLAT RATE SERVICE TIME	14	B14	
● Illustrated index	19	C 3	
● ENGINE GROUP	25	D 1	2
● FRAME GROUP	45	F 1	3
● PART NO. INDEX	85	I 1	4
● PART NAME INDEX	89	J 1	5

How to refer to the part information

A Reference with "Illustrated index"

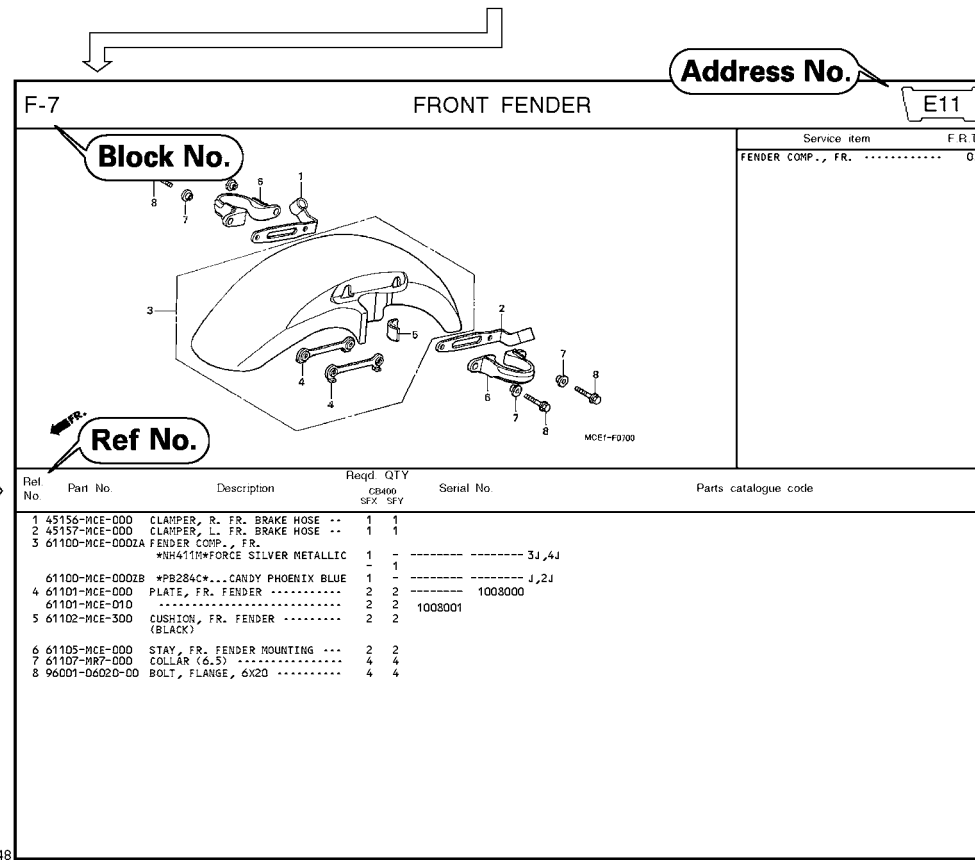


B Reference with "Part number index"

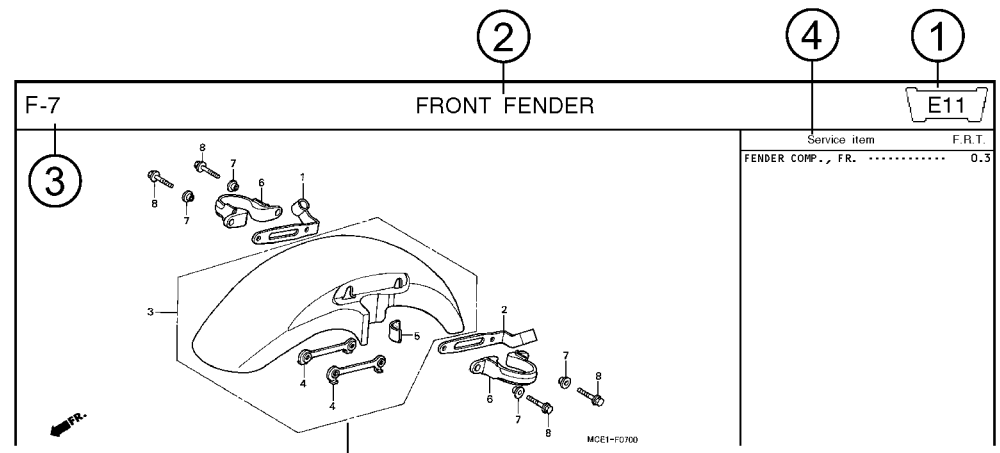
PART NO. INDEX					
Part Number	Address	Page	Rel.	Part Number	Address Page Rel.
04000				13323-MY9-751	C12 28 10 14921
04911-MCE-000	C10	26	1	13324-MY9-751	C12 28 10 14931
				13325-MY9-751	C12 28 10 14931
				13327-MY9-751	C12 28 10 14931
06000				14000	14931
06405-MY9-P00	F13	67	3	14100-MCE-000	B13 13 2 14931
06405-MY9-P10	F13	67	3	14200-MCE-000	B13 13 3 14931
06410-MY9-860	F2	56	1	14321-MCE-000	B16 16 2 14931
06435-MCE-006	F1	55	1	14401-MCE-003	B16 16 3 14931
06451-769-405	E13	51	2	14510-MBE-000	B16 16 4 14941
06451-443-405	F1	55	2	14520-MY9-691	B16 16 5 14941
06451-MA7-405	E13	51	1	14524-MY9-690	B16 16 6 14941
06455-MCE-006	E13	51	3	14546-MCE-000	B16 16 7 14941
				14620-MY9-691	B16 16 8 14941
11000				14711-MCE-000	B13 13 4 14941
11210-MCE-000	C9	25	1	14712-MCE-000	B13 13 5 14941
11330-MCE-305	C2	18	1	14721-MCE-000	B13 13 6 14941
11333-KT8-000	C6	22	1	14722-MCE-000	B13 13 7 14941
11335-MCE-000	C2	18	2	14730-MCE-000	B13 13 8 14941
11360-MCE-000	C7	23	1	14731-MCE-000	B13 13 9 14941
11365-MCE-000	C7	23	2	14731-MY9-751	B13 13 10 14941
11396-MY9-000	C2	18	3	14751-KY2-000	B13 13 11 14941
11631-MCE-000	C5	21	1	14751-MCE-000	B13 13 12 14941
11691-MY9-000	C5	21	2	14761-MCE-000	B13 13 13 14941

C Reference with "Part name index"

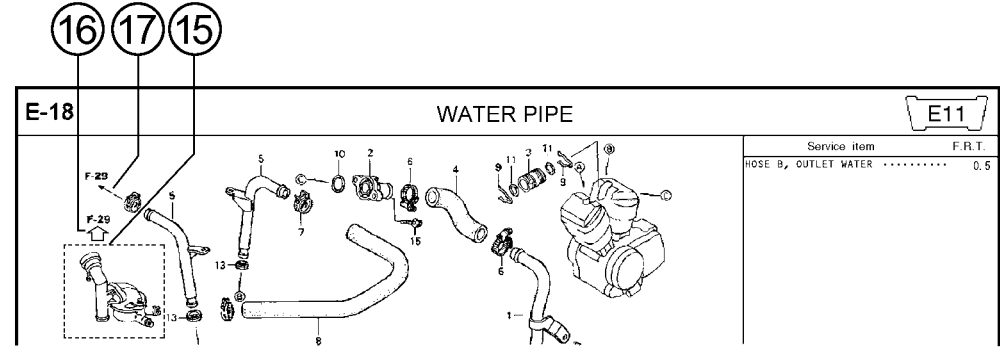
PART NAME INDEX					
Part name	Address	Page	Ref.	Part name	Address Page Ref.
[A]				BOLT , CHANG I	
ADJUSTER , CHAIN	F13	67	5	BOLT , CLUTC H	
ARM COMP. , SEA R CHANGE	F10	64	1	BOLT , CONNECT	
ARM , L. MAIN STEP	F11	65	8	BOLT , DISK , 6	
ARM , L. PILLI O STEP	F11	65	12	BOLT , DISK , 8	
ARM , R. MAIN STEP	F11	65	5	BOLT , DRAIN I	
ARM , R. PILLI O STEP	F11	65	11	BOLT , FLANG E	
AUT O DOC K ASSY. , FUEL	F4	58	2	BOLT , FLANG E	
AXLE , FR. WHEEL	E14	52	3	BOLT , FLANG E	
AXLE , RR. WHEEL	F2	56	3	BOLT , FLANG E	
[B]				BOLT , FLANG E	
BAG , AIR PRESSUR E GAUGE	F67	77	4	BOLT , FLANG E	
BAG , SERVICE BOOK	F67	77	1	BOLT , FLANG E	
BAG , TOOL	F67	77	3	BOLT , FLANG E	
BALL , STEEL	F11	65	20	BOLT , FLANG E	
BAND , A , INSULATOR	B11	11	11	BOLT , FLANG E	
BAND , B , INSULATOR	B11	11	12	BOLT , FLANG E	
BAND , AIR CLEANER CONNECTING				BOLT , FLANG E	
BAND , U-LOCK	F8	62	22	BOLT , FLANG E	
BAND , WIRE	F16	70	3	BOLT , FLANG E	
	C10	26	14		
	E5	43	21		
	G4	74	1R		



Part catalogue structure

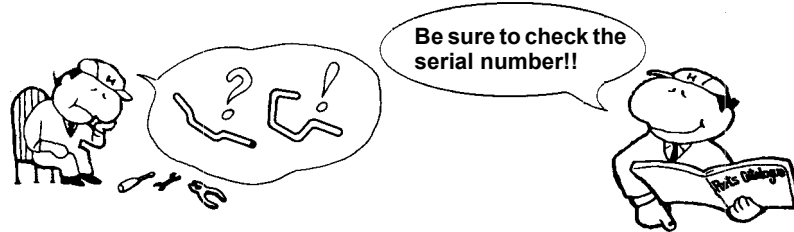


Ref. No.	Part No.	Description	Reqd. QTY		Serial No.	Parts catalogue code
			CB400 SFX	SFY		
1	45156-MCE-000	CLAMPER, R. FR. BRAKE HOSE ..	1	1		
2	45157-MCE-000	CLAMPER, L. FR. BRAKE HOSE ..	1	1		
3	61100-MCE-000ZA	FENDER COMP., FR. *NH411M*FORCE SILVER METALLIC	1	-	----- 3J,4J	
	61100-MCE-000ZB	*PB284C*...CANDY PHOENIX BLUE	1	-	----- J,2J	
4	61101-MCE-000	PLATE, FR. FENDER	2	2	1008000	
	61101-MCE-010	2	2	1008001	
5	61102-MCE-300	CUSHION, FR. FENDER	2	2		
		(BLACK)				



- ① **Address number**
 - Address No. is provided (in place of the page No.) to help you refer to the part with the part No. or part name.
- ② **Block title** ③ **Block number**
- ④ **Service item/Flat rate time**
- ⑤ **Reference number**
 - Title number marked with the parenthesis or parentheses indicates that it continues from the previous page.
- ⑥ **Part number** ⑦ **Honda color code**
- ⑧ **Description**
- ⑨ **Assemblies**
 - Sections framed with broken lines in the exploded view drawings are available as complete assemblies. (Their individual parts can also be obtained.)
- ⑩ **Color description**
- ⑪ **Note**
 - Notes are shown with the parentheses in the part name column.
- ⑫ **Required quantity**
 - Reqd. QTY shown in the parenthesis or parentheses indicates the optional part.
 - Reqd. QTY marked with "N" indicates the optional part that should be selected as needed.
 - Reqd. QTY indicates the number of the part used in the block.
- ⑬ **Serial number**
- ⑭ **Parts catalogue code**
 - When the parts catalogue code column is blank, it indicates that the part is applicable to all codes.
- ⑮
 - Parts enclosed within a dotted line are covered in a different block.
- ⑯
 - A hollow arrow indicates the block No. for the parts enclosed within a dotted line .
- ⑰
 - A solid arrow indicates the block No. the part in question is connected to.

When the parts were revised



Ref. No.	Part No.	Description	Reqd. QTY		Serial No.
			CB400 SFX	SFY	
1	45156-MCE-000	CLAMPER, R. FR. BRAKE HOSE ..	1	1	
2	45157-MCE-000	CLAMPER, L. FR. BRAKE HOSE ..	1	1	
3	61100-MCE-000ZA	FENDER COMP., FR. *NH411M*FORCE SILVER METALLIC	1	-	-----3J,4J
	61100-MCE-000ZB	*PB284C*...CANDY PHOENIX BLUE	1	-	-----J,2J
4	61101-MCE-000	PLATE, FR. FENDER (###).....	2	2	-----1008000
	61101-MCE-010	2	2	-----1008001
5	61102-MCE-300	CUSHION, FR. FENDER (BLACK)	2	2	
6	61105-MCE-000	STAY, FR. FENDER MOUNTING ...	2	2	
7	61107-MR7-000	COLLAR (6.5)	4	4	
8	96001-06020-00	BOLT, FLANGE, 6X20	4	4	

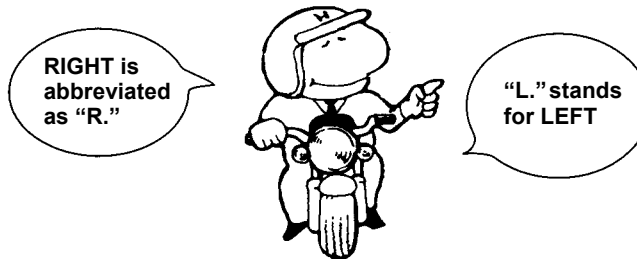
The number has been used from the initial model without revision.

When shown at the left side, it is applicable to the models of No.1008001 and the subsequent numbers.

When shown at the right side, it is applicable to the models up to No.1008000.

The parts listed with "###" at the end of the parts name have limited supply period (parts not for sale).

Abbreviations used in the parts catalogue

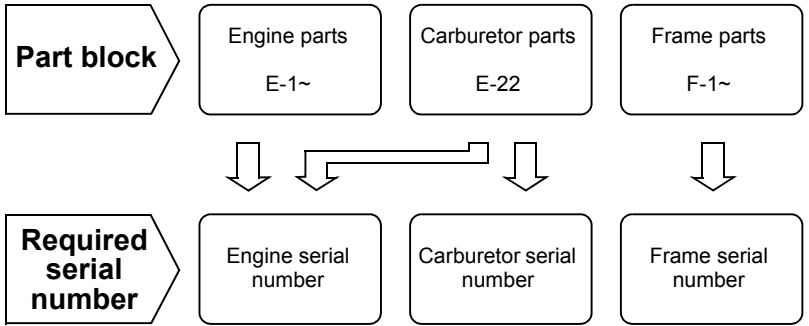


* "L." or "R." in the description of a part stands for the LEFT hand side or the RIGHT hand side. Determine the left or right as if you were in the motorcycle seat.

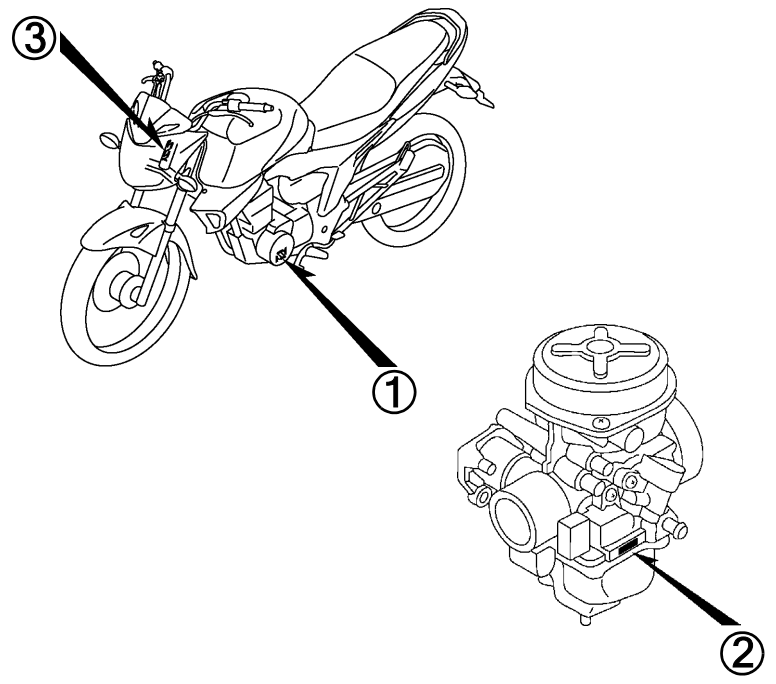
The following abbreviations are used in this parts catalogue.

- A Ampere
- ABS Anti-lock brake system
- A.C. Alternating current
- A.M. Attaching mark
- ASSY. Assembly
- C.D.I. Capacitive discharge ignition
- COMP. ... Complete
- D.C. Direct current
- EX. Exhaust
- FR. Front
- G Gram
- HEX. Hexagonal
- IN. Inlet
- KPH Kilometers per hour
- L.Left
- L (100L) .Link (100 Links)
- L.E.D.Light emitted diode
- MMMillimeter
- MPHMiles per hour
- R.Right
- RR.Rear
- STD.Standard
- T (22T) ...Tooth (22 Teeth)
- TCSTraction control system
- T.M.Transcript mark
- VVolt
- WWatt
- WLWith labelling
- WOLWithout labelling

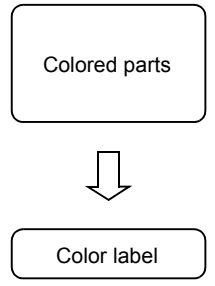
Part block and serial number check



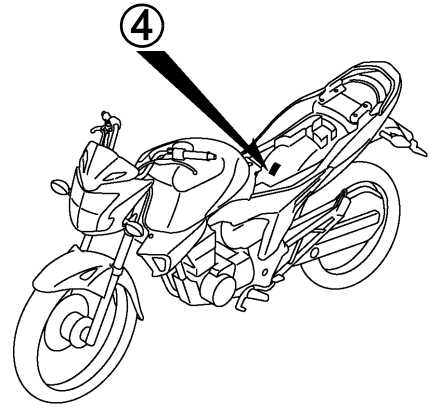
Check point ① ② ③



Color label attachment position check



④



Models, parts catalogue codes and applicable serial numbers

Models, parts catalogue codes and applicable serial Nos. given in this parts catalogue can be identified as follows.

Parts with parts catalogue codes are exclusive for models destined for countries designated.

If no area codes are listed, parts are for common use.

Model	Area code	Type	Applicable engine serial No.	Applicable frame serial No.	Applicable carburetor identification No.
CBF150ME	LA	Latin America			AVK6AY A
	MX	Mexico			AVK6AZ A

* Of carburetor/throttle body identification numbers, only the portions underlined in the example below are used for registration.

AVK6AY A KC 7

Color label

- When ordering parts, check the model name, main color, and code by observing the “COLOR LABEL” on the vehicle.
- When ordering a colored part, use the color chart in the instruction for use of parts catalogue.

1

<p>VFR800FIW</p> <p>COLOR R-157</p> <p>CODE R157</p>		MODEL		VFR800FIW				
		COLOR		Sparkling silver metallic	Mute black metallic	Applicable model		Applicable block No.
	No.	CODE		NH-295M	NH-359M	Initial applicable model	Final applicable model	
	Name of colored parts	Basic part No.	NH295	NH359				
1								
2								
3								
4								
5								
6								
7								
8								
9								
10								

Color chart

- When ordering a colored part, refer to the chart below and use a part number consisting of the relevant basic part number to which has been added a part color code.

CBF150M (CBF150ME)

No.	MODEL		CBF150ME						
	COLOR		Black	Pearl siena red	Neon blue metallic	Applicable model		Applicable block No.	Ref. No.
	CODE		NH-1	R-320P	PB-393M	Initial applicable model	Final applicable model		
	Name of colored parts	Basic part No.	NH1	R320	PB393				
1	COVER A, L. SIDE	83545-K21-900	ZA	ZA	ZA			F-24	3
2	COVER A, R. SIDE	83540-K21-900	ZA	ZA	ZA			F-24	2
3	COWL SET, L. SIDE	77270-K21-700	ZC	ZB	ZA			F-23-10	4
4	COWL SET, R. SIDE	77260-K21-700	ZC	ZB	ZA			F-23-10	3
5	COWL SET, RR. CENTER	77235-K21-900	ZE	ZC	ZB			F-23-10	2
6	DISK, RR. BRAKE	43251-KSP-B01	ZA	ZA	ZA			F-19-40	12
7	FENDER, FR.	61100-K21-900	ZC	ZA	ZF			F-10	1
8	FLANGE SUB ASSY., FINAL DRIVEN	42615-K21-900	ZA	ZA	ZA			F-19-40	7
9	GARNISH, L. FR.	61306-K21-900	ZC	ZA	ZF			F-43	4
10	GARNISH, R. FR.	61305-K21-900	ZC	ZA	ZF			F-43	3
11	GRIP, RR.	50400-K21-900	ZA	ZA	ZA			F-23	1
12	HOLDER, HANDLE UPPER	53131-KSP-B00	ZA	ZA	ZA			F-7	6
13	MARK, HONDA	86101-K21-900	ZA	ZA	ZA			F-50	1
14	MARK, HONDA	86102-K21-900	ZB	ZB	ZB			F-50	2
15	MARK, SIDE COWL	86771-K21-700	ZB	ZA	ZA			F-50	5

CBF150M (CBF150ME)

No.	MODEL		CBF150ME						
	COLOR		Black	Pearl siena red	Neon blue metallic	Applicable model		Applicable block No.	Ref. No.
	CODE		NH-1	R-320P	PB-393M	Initial applicable model	Final applicable model		
	Name of colored parts	Basic part No.	NH1	R320	PB393				
16	SEAT COMP., DOUBLE	77200-K21-900	ZA	ZA	ZA			F-23	3
17	SHROUD, L.	50265-K21-900	ZC	ZA	ZF			F-21	20
18	SHROUD, R.	50260-K21-900	ZC	ZA	ZF			F-21	18
19	TANK SUB ASSY., FUEL	17530-K21-900	ZC	ZA	ZF			F-21	10
20	VISOR SET, FR.	61300-K21-900	ZA	ZA	ZA			F-43	1
21	WHEEL SUB ASSY., FR.	44650-K21-900	ZA	ZA	ZA			F-14-40	5
22	WHEEL SUB ASSY., RR.	42650-K21-910	ZA	ZA	ZA			F-19-40	9

Fuel hose, general purpose hoses and vinyl hose

- The standard part fuel hose, general purpose hose and vinyl hose may be substituted by the coiled bulk part.
- When ordering the standard part fuel hose, general purpose hose and vinyl hose use the bulk part number written in the parts catalogue in brackets () underneath the part name, or use the catalogue below.
(The bulk part standard length is 1 m, however, those displayed in the catalogue < > are available in 3 m and 8 m lengths.)
- When exchanging the hose, cut and use at the specified length as mentioned in the part name.
(For the method of cutting the bulk part, and method of filling out orders etc., please refer to the service manual and the instructions issued with the bulk part.)
- The list below is a catalogue of the standard part numbers and bulk part numbers. Note that those numbers are applicable to the listed replacement parts only.

Fuel hoses/Tubes			
Standard part No.	Bulk part No.	Bulk part	
		Inner diameter (mm)	Length (m)
95001-30xxx-2x	95001-30001-20M	3.0	1
95001-30xxx-3x	95001-30001-30M	3.0	1
95001-30xxx-4x	95001-30001-40M	3.0	1
95001-35xxx-2x	95001-35001-50M <95001-35003-50M>	3.5	1 3
95001-35xxx-3x	95001-35001-60M <95001-35003-60M>	3.5	1 3
95001-35xxx-4x	95001-35001-60M <95001-35003-60M>	3.5	1 3
95001-35xxx-5x	95001-35001-50M <95001-35003-50M>	3.5	1 3
95001-35xxx-6x	95001-35001-60M <95001-35003-60M>	3.5	1 3
95001-45xxx-2x	95001-45001-50M <95001-45003-50M>	4.5	1 3
95001-45xxx-3x	95001-45001-60M <95001-45003-60M> <95001-45008-60M>	4.5	1 3 8
95001-45xxx-4x	95001-45001-60M <95001-45003-60M> <95001-45008-60M>	4.5	1 3 8
95001-45xxx-5x	95001-45001-50M <95001-45003-50M>	4.5	1 3
95001-45xxx-6x	95001-45001-60M <95001-45003-60M> <95001-45008-60M>	4.5	1 3 8
95001-55xxx-2x	95001-55001-50M <95001-55003-50M> <95001-55008-50M>	5.5	1 3 8

Fuel hoses/Tubes			
Standard part No.	Bulk part No.	Bulk part	
		Inner diameter (mm)	Length (m)
95001-55xxx-3x	95001-55001-60M <95001-55003-60M> <95001-55008-60M>	5.5	1 3 8
95001-55xxx-4x	95001-55001-60M <95001-55003-60M> <95001-55008-60M>	5.5	1 3 8
95001-55xxx-5x	95001-55001-50M <95001-55003-50M> <95001-55008-50M>	5.5	1 3 8
95001-55xxx-6x	95001-55001-60M <95001-55003-60M> <95001-55008-60M>	5.5	1 3 8
95001-75xxx-2x	95001-75001-50M <95001-75003-50M>	7.5	1 3
95001-75xxx-3x	95001-75001-60M <95001-75003-60M> <95001-75008-60M>	7.5	1 3 8
95001-75xxx-4x	95001-75001-60M <95001-75003-60M> <95001-75008-60M>	7.5	1 3 8
95001-75xxx-5x	95001-75001-50M <95001-75003-50M>	7.5	1 3
95001-75xxx-6x	95001-75001-60M <95001-75003-60M> <95001-75008-60M>	7.5	1 3 8
95001-80xxx-2x	95001-80001-50M	8.0	1
95001-80xxx-3x	95001-80001-60M	8.0	1
95001-80xxx-4x	95001-80001-60M	8.0	1
95001-80xxx-5x	95001-80001-50M	8.0	1
95001-80xxx-6x	95001-80001-60M	8.0	1

Vinyl tube				
Standard part No.	Bulk part No.	Bulk part		
		Inner dia- meter (mm)	Outer dia-meter (mm)	Length (m)
95003-01xxx-3x	95003-01001-60M <95003-01003-60M>	2.9	6.8	1 3
95003-01xxx-60	95003-01001-60M <95003-01003-60M>	2.9	6.8	1 3
95003-03xxx-3x	95003-03001-60M <95003-03003-60M>	3.0	6.0	1 3
95003-03xxx-60	95003-03001-60M <95003-03003-60M>	3.0	6.0	1 3
95003-05xxx-3x	95003-05001-60M <95003-05003-60M> <95003-05008-60M>	3.5	6.5	1 3 8
95003-05xxx-60	95003-05001-60M <95003-05003-60M> <95003-05008-60M>	3.5	6.5	1 3 8
95003-07xxx-1x	95003-07001-10M <95003-07003-10M> <95003-07008-10M>	4.0	7.0	1 3 8
95003-07xxx-20	95003-07001-10M <95003-07003-10M> <95003-07008-10M>	4.0	7.0	1 3 8
95003-07xxx-3x	95003-07001-60M <95003-07003-60M> <95003-07008-60M>	4.0	7.0	1 3 8
95003-07xxx-60	95003-07001-60M <95003-07003-60M> <95003-07008-60M>	4.0	7.0	1 3 8
95003-07xxx-7x	95003-07001-70M <95003-07003-70M> <95003-07008-70M>	4.0	7.0	1 3 8
95003-08xxx-1x	95003-08001-10M <95003-08003-10M> <95003-08008-10M>	4.5	6.5	1 3 8
95003-09xxx-3x	95003-09001-60M <95003-09003-60M>	4.5	8.0	1 3
95003-09xxx-60	95003-09001-60M <95003-09003-60M>	4.5	8.0	1 3
95003-10xxx-1x	95003-10001-10M <95003-10003-10M>	5.0	8.0	1 3
95003-10xxx-20	95003-10001-10M <95003-10003-10M>	5.0	8.0	1 3
95003-10xxx-3x	95003-10001-60M <95003-10003-60M>	5.0	8.0	1 3
95003-10xxx-60	95003-10001-60M <95003-10003-60M>	5.0	8.0	1 3
95003-11xxx-3x	95003-11001-60M <95003-11003-60M> <95003-11008-60M>	5.0	9.0	1 3 8
95003-11xxx-60	95003-11001-60M <95003-11003-60M> <95003-11008-60M>	5.0	9.0	1 3 8
95003-12xxx-1x	95003-12001-10M <95003-12003-10M> <95003-12008-10M>	5.0	7.0	1 3 8
95003-12xxx-20	95003-12001-10M <95003-12003-10M> <95003-12008-10M>	5.0	7.0	1 3 8

Vinyl tube				
Standard part No.	Bulk part No.	Bulk part		
		Inner dia- meter (mm)	Outer dia-meter (mm)	Length (m)
95003-14xxx-1x	95003-14001-10M <95003-14003-10M>	6.0	9.0	1 3
95003-14xxx-20	95003-14001-10M <95003-14003-10M>	6.0	9.0	1 3
95003-14xxx-3x	95003-14001-60M <95003-14003-60M>	6.0	9.0	1 3
95003-17xxx-1x	95003-17001-10M <95003-17003-10M>	7.0	9.0	1 3
95003-19xxx-1x	95003-19001-10M <95003-19003-10M> <95003-19008-10M>	7.0	11.0	1 3 8
95003-19xxx-20	95003-19001-10M <95003-19003-10M> <95003-19008-10M>	7.0	11.0	1 3 8
95003-19xxx-3x	95003-19001-60M <95003-19003-60M> <95003-19008-60M>	7.0	11.0	1 3 8
95003-19xxx-60	95003-19001-60M <95003-19003-60M> <95003-19008-60M>	7.0	11.0	1 3 8
95003-21xxx-1x	95003-21001-10M <95003-21003-10M>	8.0	9.0	1 3
95003-21xxx-20	95003-21001-10M <95003-21003-10M>	8.0	9.0	1 3
95003-23xxx-1x	95003-23001-10M <95003-23003-10M>	8.0	12.0	1 3
95003-23xxx-20	95003-23001-10M <95003-23003-10M>	8.0	12.0	1 3
95003-23xxx-3x	95003-23001-60M <95003-23003-60M> <95003-23008-60M>	8.0	12.0	1 3 8
95003-23xxx-60	95003-23001-60M <95003-23003-60M> <95003-23008-60M>	8.0	12.0	1 3 8
95003-25xxx-1x	95003-25001-10M <95003-25003-10M>	9.0	11.0	1 3
95003-25xxx-20	95003-25001-10M <95003-25003-10M>	9.0	11.0	1 3
95003-25xxx-3x	95003-25001-60M <95003-25003-60M>	9.0	11.0	1 3
95003-25xxx-7x	95003-25001-70M <95003-25003-70M>	9.0	11.0	1 3
95003-27xxx-1x	95003-27001-10M <95003-27003-10M>	9.0	13.0	1 3
95003-27xxx-20	95003-27001-10M <95003-27003-10M>	9.0	13.0	1 3
95003-27xxx-3x	95003-27001-60M <95003-27003-60M>	9.0	13.0	1 3
95003-27xxx-60	95003-27001-60M <95003-27003-60M>	9.0	13.0	1 3
95003-33xxx-1x	95003-33001-10M <95003-33003-10M>	10.0	14.0	1 3
95003-33xxx-20	95003-33001-10M <95003-33003-10M>	10.0	14.0	1 3

Vinyl tube				
Standard part No.	Bulk part No.	Bulk part		
		Inner dia- meter (mm)	Outer dia-meter (mm)	Length (m)
95003-36xxx-1x	95003-36001-10M <95003-36003-10M> <95003-36008-10M>	11.0	13.0	1 3 8
95003-36xxx-20	95003-36001-10M <95003-36003-10M> <95003-36008-10M>	11.0	13.0	1 3 8
95003-37xxx-3x	95003-37001-60M <95003-37003-60M>	11.0	15.0	1 3
95003-37xxx-60	95003-37001-60M <95003-37003-60M>	11.0	15.0	1 3
95003-38xxx-1x	95003-38001-10M <95003-38003-10M>	12.0	13.0	1 3
95003-38xxx-20	95003-38001-10M <95003-38003-10M>	12.0	13.0	1 3
95003-39xxx-1x	95003-39001-10M <95003-39003-10M>	12.0	14.0	1 3
95003-39xxx-20	95003-39001-10M <95003-39003-10M>	12.0	14.0	1 3
95003-40xxx-20	95003-40001-10M <95003-40003-10M>	12.0	16.0	1 3
95003-40xxx-3x	95003-40001-60M <95003-40003-60M>	12.0	16.0	1 3
95003-40xxx-60	95003-40001-60M <95003-40003-60M>	12.0	16.0	1 3
95003-43xxx-1x	95003-43001-10M <95003-43003-10M> <95003-43008-10M>	13.0	15.0	1 3 8
95003-43xxx-20	95003-43001-10M <95003-43003-10M> <95003-43008-10M>	13.0	15.0	1 3 8
95003-45xxx-1x	95003-45001-10M <95003-45003-10M> <95003-45008-10M>	14.0	18.0	1 3 8
95003-45xxx-20	95003-45001-10M <95003-45003-10M> <95003-45008-10M>	14.0	18.0	1 3 8
95003-50xxx-1x	95003-50001-10M <95003-50003-10M>	16.0	19.0	1 3
95003-50xxx-20	95003-50001-10M <95003-50003-10M>	16.0	19.0	1 3
95003-50xxx-3x	95003-50001-60M <95003-50003-60M>	16.0	19.0	1 3
95003-55xxx-1x	95003-55001-10M <95003-55003-10M>	17.5	20.5	1 3
95003-55xxx-20	95003-55001-10M <95003-55003-10M>	17.5	20.5	1 3
95003-60xxx-1x	95003-60001-10M <95003-60003-10M>	22.0	27.0	1 3
95003-60xxx-20	95003-60001-10M <95003-60003-10M>	22.0	27.0	1 3
95003-60xxx-3x	95003-60001-60M <95003-60003-60M>	22.0	27.0	1 3
95003-60xxx-60	95003-60001-60M <95003-60003-60M>	22.0	27.0	1 3

General purpose hoses			
Standard part No.	Bulk part No.	Bulk part	
		Inner diameter (mm)	Length (m)
95005-11xxx-3x	95005-11001-30M	11.0	1
95005-11xxx-5x	95005-11001-50M	11.0	1
95005-12xxx-1x	95005-12001-10M <95005-12003-10M>	12.0	1 3
95005-12xxx-2x	95005-12001-20M	12.0	1
95005-12xxx-3x	95005-12001-30M	12.0	1
95005-12xxx-5x	95005-12001-50M	12.0	1
95005-14xxx-1x	95005-14001-10M	14.0	1
95005-14xxx-2x	95005-14001-20M <95005-14003-20M>	14.0	1 3
95005-14xxx-3x	95005-14001-30M	14.0	1
95005-14xxx-5x	95005-14001-50M	14.0	1
95005-17xxx-1x	95005-17001-10M	17.0	1
95005-17xxx-2x	95005-17001-20M	17.0	1
95005-17xxx-3x	95005-17001-30M	17.0	1
95005-17xxx-5x	95005-17001-50M	17.0	1
95005-30xxx-3x	95005-30001-30M	3.0	1
95005-30xxx-5x	95005-30001-50M	3.0	1
95005-35xxx-1x	95005-35001-10M <95005-35003-10M> <95005-35008-10M>	3.5	1 3 8
95005-35xxx-2x	95005-35001-20M	3.5	1
95005-35xxx-3x	95005-35001-30M	3.5	1
95005-35xxx-4x	95005-35001-10M <95005-35003-10M> <95005-35008-10M>	3.5	1 3 8
95005-35xxx-5x	95005-35001-50M	3.5	1
95005-45xxx-1x	95005-45001-10M <95005-45003-10M> <95005-45008-10M>	4.5	1 3 8
95005-45xxx-2x	95005-45001-20M	4.5	1
95005-45xxx-3x	95005-45001-30M	4.5	1

General purpose hoses			
Standard part No.	Bulk part No.	Bulk part	
		Inner diameter (mm)	Length (m)
95005-45xxx-4x	95005-45001-10M <95005-45003-10M> <95005-45008-10M>	4.5	1 3 8
95005-45xxx-5x	95005-45001-50M	4.5	1
95005-50xxx-3x	95005-50001-30M <95005-50003-30M>	5.0	1 3
95005-50xxx-5x	95005-50001-50M	5.0	1
95005-55xxx-1x	95005-55001-10M <95005-55003-10M> <95005-55008-10M>	5.3	1 3 8
95005-55xxx-2x	95005-55001-20M <95005-55003-20M>	5.3	1 3
95005-55xxx-4x	95005-55001-10M <95005-55003-10M> <95005-55008-10M>	5.3	1 3 8
95005-65xxx-1x	95005-65001-10M <95005-65003-10M>	6.5	1 3
95005-65xxx-2x	95005-65001-20M	6.5	1
95005-70xxx-3x	95005-70001-30M <95005-70003-30M>	7.0	1 3
95005-70xxx-5x	95005-70001-50M	7.0	1
95005-75xxx-1x	95005-75001-10M <95005-75003-10M>	7.3	1 3
95005-75xxx-2x	95005-75001-20M	7.3	1
95005-80xxx-1x	95005-80001-10M <95005-80003-10M>	8.0	1 3
95005-80xxx-2x	95005-80001-20M	8.0	1
95005-80xxx-3x	95005-80001-30M	8.0	1
95005-80xxx-5x	95005-80001-50M	8.0	1
95005-91xxx-3x	95005-91001-30M	12.0	1
95005-91xxx-5x	95005-91001-50M	12.0	1
95005-92xxx-3x	95005-92001-30M	12.0	1
95005-92xxx-5x	95005-92001-50M	12.0	1

NOTE: X is displayed to represent the omitted numerals and letters of the roman alphabet.

⊙ **CAUTION: It is DANGEROUS to confuse the fuel hose with the general purpose hose or vinyl hose.**

Never use a general purpose hose or vinyl hose in place of a fuel hose or vice versa. Always use the correct bulk part in the parts catalogue, according to the service manual or the instructions issued with the bulk part.

• Bulk part number of fuel hose, general purpose hose and vinyl hose.

(Example)

9 5 0 0 1 - 7 5 0 0 1 - 5 0 M

Bulk part number: Refers to the bulk part.

Marking code (hose type): (fuel hose and general purpose hose)

Change code (for added hose): (Vinyl hose)

- Indicates number mark or change sequence, however, the code for the bulk part must be strictly 0 (zero).

Types of code:

- Fuel hose
 - 2: Red outside braid (3 mm inside dia. only)
 - 5: Black inside braid
 - 3: Red (3 mm inside dia. only)
 - 4: Ash gray with red stripe (3 mm inside dia. only)
 - 6: Black
- Vinyl hose
 - 1: Clear
 - 2: Black
 - 3: Light red
 - 6: Light red
 - 7: Pale black
- General hose
 - 1: Ash gray
 - 2: Ash gray
 - 3: Black
 - 5: Black

Lengths: 001: 1 m (standard)
003: 3 m
008: 8 m

I.D code: (fuel hose and general purpose hose)

- 30: 3.0 mm
- 35: 3.5 mm
- 45: 4.5 mm
- 50: 5.0 mm
- 55: 5.3 mm, 5.5 mm
- 65: 6.5 mm
- 70: 7.0 mm
- 75: 7.3 mm, 7.5 mm
- 80: 8.0 mm
- 11: 11 mm
- 91: 12 mm (outside dia. 15) mm
- 92: 12 mm (outside dia. 16) mm
- 12: 12 mm (outside dia. 17) mm
- 14: 14 mm
- 17: 17 mm

ID./OD. code: (vinyl hose)

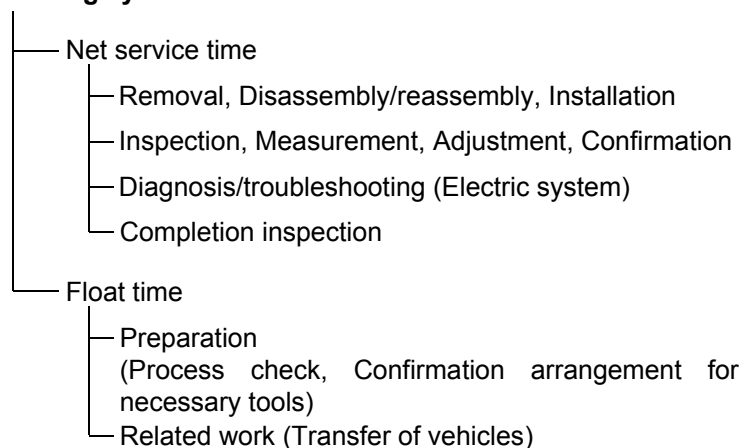
- 01: ID. 2.9, OD. 6.8 mm
- 03: ID. 3.0, OD. 6.0 mm
- 05: ID. 3.5, OD. 6.5 mm
- 07: ID. 4.0, OD. 7.0 mm
- 08: ID. 4.5, OD. 6.5 mm
- 09: ID. 4.5, OD. 8.0 mm
- 12: ID. 5.0, OD. 7.0 mm
- 10: ID. 5.0, OD. 8.0 mm
- 11: ID. 5.0, OD. 9.0 mm
- 14: ID. 6.0, OD. 9.0 mm
- 17: ID. 7.0, OD. 9.0 mm
- 19: ID. 7.0, OD. 11.0 mm
- 21: ID. 8.0, OD. 9.0 mm
- 23: ID. 8.0, OD. 12.0 mm
- 25: ID. 9.0, OD. 11.0 mm
- 27: ID. 9.0, OD. 13.0 mm
- 33: ID. 10.0, OD. 14.0 mm
- 36: ID. 11.0, OD. 13.0 mm
- 37: ID. 11.0, OD. 15.0 mm
- 38: ID. 12.0, OD. 13.0 mm
- 39: ID. 12.0, OD. 14.0 mm
- 40: ID. 12.0, OD. 16.0 mm
- 43: ID. 13.0, OD. 15.0 mm
- 45: ID. 14.0, OD. 18.0 mm
- 50: ID. 16.0, OD. 19.0 mm
- 55: ID. 17.5, OD. 20.5 mm
- 60: ID. 22.0, OD. 27.0 mm

Hose type: 1: Fuel hose
3: Vinyl hose
5: General hose

FLAT RATE SERVICE TIME

Flat rate service time (FRT) means the standard time required to service a MC, which is listed in this manual to help the dealers control the actual working process and calculate the service charge by using it as a guide.

FRT setting system



* Float time is set by multiplying the net service time by a given coefficient.

Editorial style

The service items shown in the text are listed with the exchange work time for the repair sales parts as the subject. Other representative service items not using repair parts (removal/installation, adjustment, inspection/measuring, and other work) are listed collectively in the list in the preface, classified according to the work.

FRT setting standard

- Decimal system (in unit of 0.1) is adopted to set FRT as it is convenient to calculate the wage.
Example: (0.1) → 6 minutes, (0.2) → 12 minutes
[Labor cost per hour] x [FRT] = [Wage]
- FRT is set with a hand tool.
- Service items and FRT can be subject to change depending on development of tools and service equipment and improvement in service procedure.

Work procedure

- As the work procedure is set with the work time according to the method in the separate Service Manual, refer to this Manual as required.
- Work methods permitting servicing in the shortest time still permitting assurance of safe work and product warranty are used for the setting of service items not listed in the Service Manual.
- Work basically is to be performed by one person, and when two or more people are required, setting is done as the total time for the number of people.
- The set value for the technological level of the workers uses a person with three years of experience in the repair of Honda vehicles as the standard.
- Special tools and service equipment used to set FRT are those specified or recommended in Service Manual.

Service item whose FRT is not presented

- Accessories and service parts that are not listed to use in this manual.
 - Locations with little aging deterioration or breakage during normal use.
 - Service work that can be finished by one touch.
 - Service work that is seldom done (i.e. extremely small causes of trouble and service frequency).
- * When FRT is not presented, please calculate wages based on appropriate actual work time

Operation not included of FRT

- Oil and coolant water draining, Waiting time for warming up operation and etc..
- Additional operation that involves removal/installation of standard exterior equipment.
- Indirect time spent for service by visiting the customer, trade-in, and delivery of a MC.
- Indirect time required for ordering and delivery of parts.
- Cost for grease, adhesive agent, etc. used for service work.

Explanation of FRT by using an example
(The example may differ from the actual presented items)

Ref. No.	L.O.N.	Description	F.R.T.
(1)	111118	CAMSHAFT 4.5	(2)
(3)	111118A	Replace rocker arm add 1.0	(5)

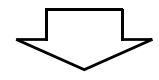
- ① Reference No. of the illustration of part that shows location of the replacement work.
 - ② FRT is an abbreviation of Flat Rate Time indicating the standard service time required for the replacement.
 - ③ LON is an abbreviation of Labor Operation Number, and it is a classification of the service items by the work unit code.
- The same operation code is used regardless of the models.
- Standard operation is indicated with 6 digits code, and additional operation is indicated with 7 digits code.
- ④ Indicating the camshaft replacement and FRT4.5.
 - ⑤ Indicating FRT1.0 that will be added when additional operation (replace rocker arm) is done in association with camshaft replacement.

- ⑥ Indicating work contents that are included in the service item.
- ⑦ Indicating a reference No. whose operation and time are the same as FRT4.5 for the camshaft.

(The application range is limited to the service items without an LON setting within a same block.)

How to refer to the service item by using the sample
(camshaft replacement)

Open to the page of the block where the camshaft's spare part illustration is shown.



Look for the camshaft illustration, and refer to the service item and FRT that agree with the reference No.

Indication mark for the listing of service items that continues to the following page

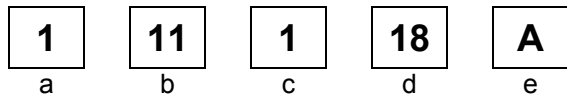
Ref. No.	L.O.N.	(Relative ref. Number) Description	F.R.T.
2	111118	CAMSHAFT	4.5
	.	.	.
	.	.	.

+
Mark indicated at the last line.

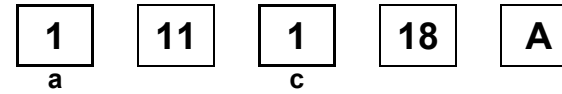
Indication of the block with no setting of FRT

Ref. No.	L.O.N.	(Relative ref. Number) Description	F.R.T.
NO INFORMATION			

• LON code system



- a) Category code..... Engine
- b) Location/function code Engine upper
- c) Operation code..... Replace
- d) Operation sequence number (Unit code can be shown with alphabet) camshaft (No regular rule of code)
- e) Additional code replace rocker arm (No regular rule of code)



a) Category codes and classification

Code	Category
1	Engine
2	Transmission
3	Fuel & Exhaust
4	Frame & Body
5	Steering/Suspension
6	Electrical
7	Wheels/Brakes
8	Controls/instrument
9	-
0	-

c) Operation codes and classification

Code	Operation category
1	Replace, Removal/Installation, Change
2	Overhaul
3	Adjust, Balance
4	(Paint-related work: Top-coat)
5	Test, Inspect/diagnose, Measurement, Check
6	(Overhaul-related work: Rebore)
7	(Overhaul-related work: Reseal)
8	(Resurface)
9	(Paint-related work: Refinish)
0	Repair, Cleaning, Air bleeding

Major service items without using spare parts

(1) Removal/Installation, (2) Adjustment,
(3) Inspection/Masurement, (4) Overhaul, (5) Other work

E: Engine, F: Frame

* OPERATIONS OTHER THAN REPLACING PARTS

(1) Removal and installation

Set for the configuration with the parts removed from the vehicle.

	LON	DESCRIPTION	FRT
E	1101E5	TILTING ENGINE ASSEMBLY-REMOVAL/INSTALLATION INCLUDES: All necessary adjustment	1.7
	1111K0	CYLINDER HEAD ASSEMBLY-REMOVAL/INSTALLATION	1.4
	3111D6	CARBURETOR ASSEMBLY-REMOVAL/INSTALLATION	0.4
	1101E6	CRANKCASE SEPARATION INCLUDES: Engine removal and installation	3.5

(2) Adjustment

	LON	DESCRIPTION	FRT
E	3113A0	CARBURETOR IDLE-ADJUSTMENT	0.1
	2123A0	CLUTCH-ADJUSTMENT INCLUDES: Clutch lever adjustment	0.1
	6143A1	SPARK PLUG-ADJUSTMENT/CLEANING	0.1
	1113A0	VALVE CLEARANCE-ADJUSTMENT NOTE: For 1 vehicle	0.4
F	6163A0	HEADLIGHT-AIMING	0.1
	2133A0	DRIVE CHAIN-ADJUSTMENT	0.1
	3113A3	THROTTLE OPERATION-ADJUSTMENT	0.1

(3) Inspection, Measurement

	LON	DESCRIPTION	FRT
E	1115A0	COMPRESSION PRESSURE-MEASUREMENT	0.1
	3115A0	CARBURETOR FLOAT LEVEL-MEASUREMENT	0.5
	6145A0	IGNITION TIMING-INSPECTION	0.2
F	6105A0	BATTERY-CHECKING OF ELECTROLYTE LEVEL & CHARGE	0.2

(4) Overhaul

Work condition: The required Measurements, inspections, adjustments, and cleaning/washing of each part are performed, including the main body removal/installation work and the replacement of defective parts.

	LON	DESCRIPTION	FRT
E	311200	CARBURETOR-OVERHAUL INCLUDES: All necessary adjustment	0.7

(5) Other work

	LON	DESCRIPTION	FRT
E	1130A1	OIL FILTER SCREEN-CLEANING	0.6
F	7110A0	FRONT BRAKE-AIR BLEEDING	0.2
	7110A1	REAR BRAKE-AIR BLEEDING	0.2

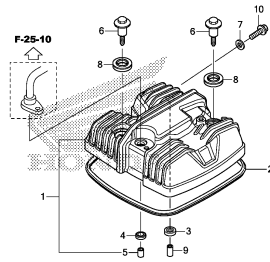
ENGINE GROUP

C 3

E-1

CYLINDER HEAD COVER

D 1

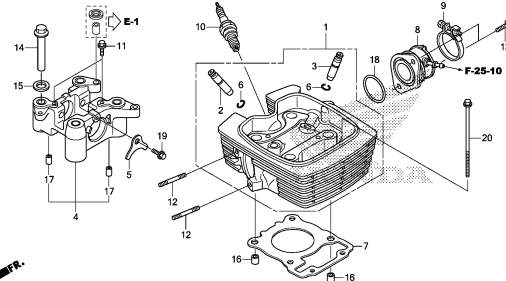


K215E0100

E-2

CYLINDER HEAD

D 2

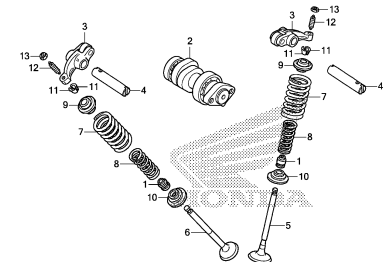


K215E0200

E-3

CAMSHAFT/VALVE

D 3

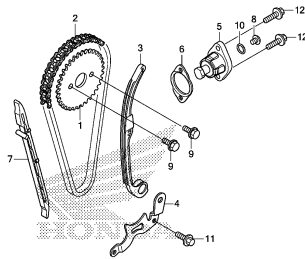


K215E0300

E-4

CAM CHAIN/TENSIONER

D 4

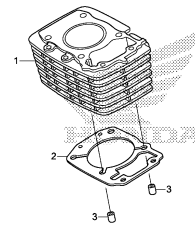


K215E0400

E-5

CYLINDER

D 5

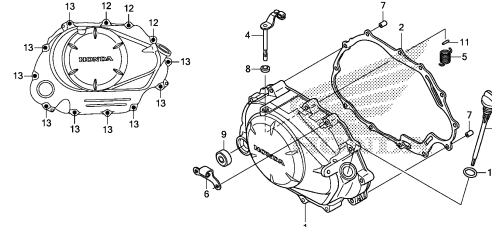


K215E0500

E-6

RIGHT CRANKCASE COVER

D 6

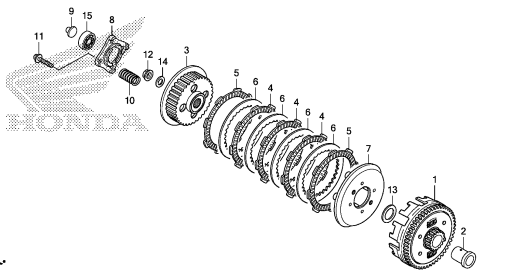


K215E0600

E-8

CLUTCH

D 7

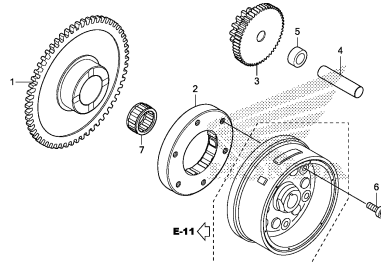


K215E0800

E-9

STARTING CLUTCH

D 8

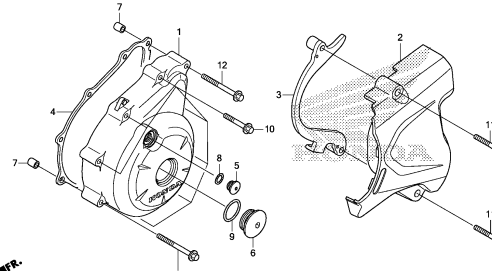


K215E0900

E-10

LEFT CRANKCASE COVER

D 9



K215E1000

2

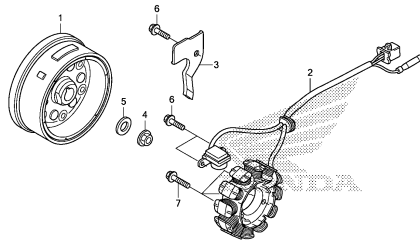
ENGINE GROUP

C 4

E-11

GENERATOR

D10

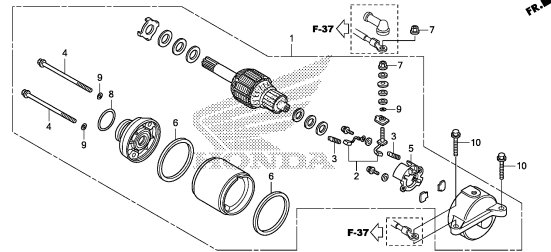


K219E1100

E-13

STARTER MOTOR

D11

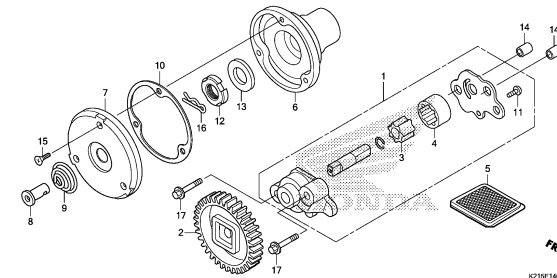


K219E1300

E-14

OIL PUMP

D12

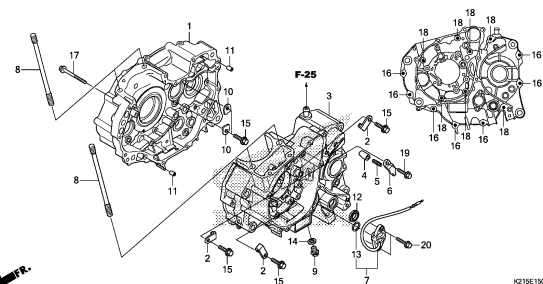


K219E1400

E-15

CRANKCASE

D13

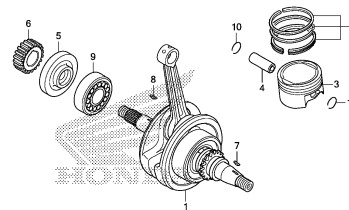


K219E1500

E-16

CRANKSHAFT/PISTON

D14

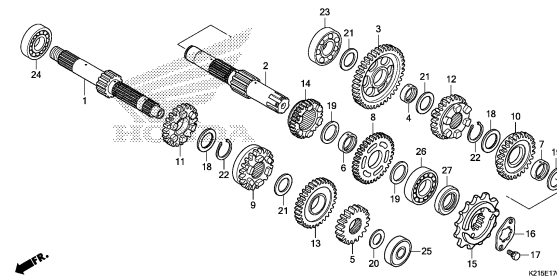


K219E1600

E-17

TRANSMISSION

D15

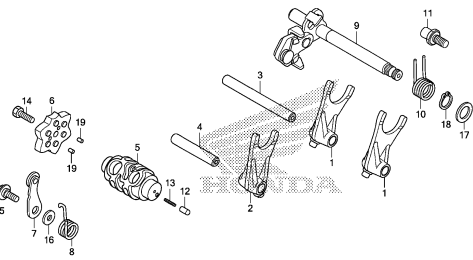


K219E1700

E-19

GEARSHIFT DRUM

E 1

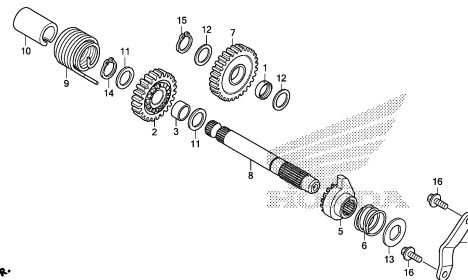


K219E1900

E-20

KICK STARTER SPINDLE

E 2

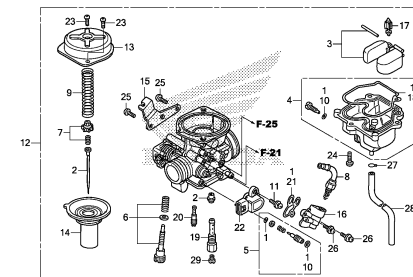


K219E2000

E-22

CARBURETOR

E 3



K219E2200

2

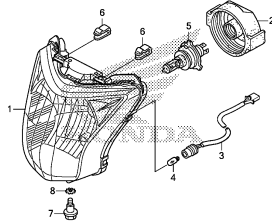
FRAME GROUP

C 5

F-1

HEADLIGHT

F 1

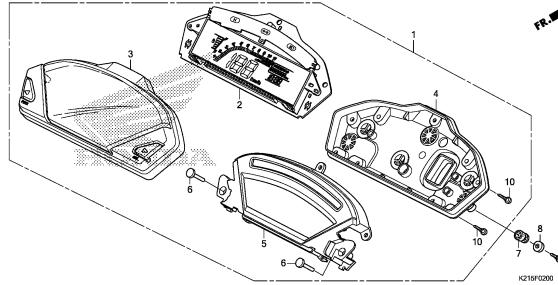


K21SF0100

F-2

METER

F 2

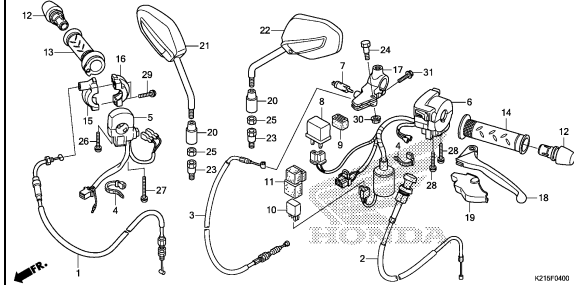


K21SF0200

F-4

HANDLE LEVER/SWITCH/CABLE/MIRROR

F 3

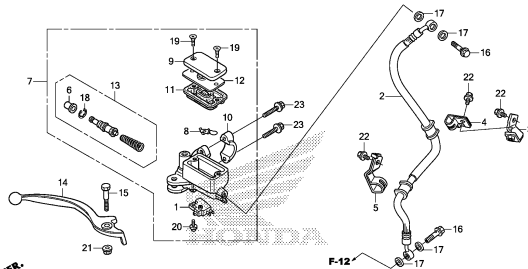


K21SF0400

F-5

FRONT BRAKE MASTER CYLINDER

F 5

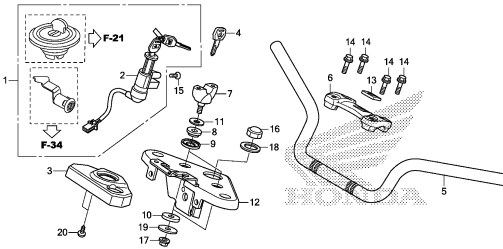


K21SF0500

F-7

HANDLE PIPE/TOP BRIDGE

F 6

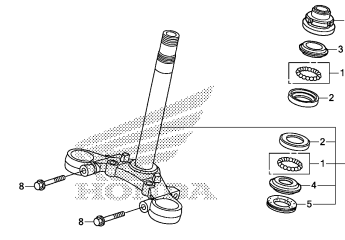


K21SF0700

F-9

STEERING STEM

F 7

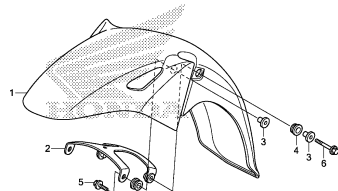


K21SF0900

F-10

FRONT FENDER

F 8

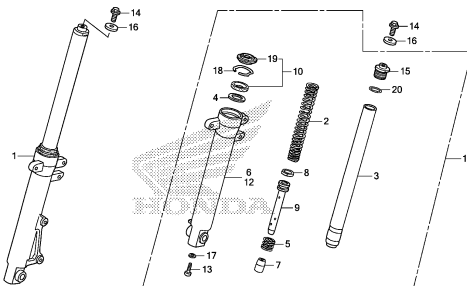


K21SF1000

F-11

FRONT FORK

F 9

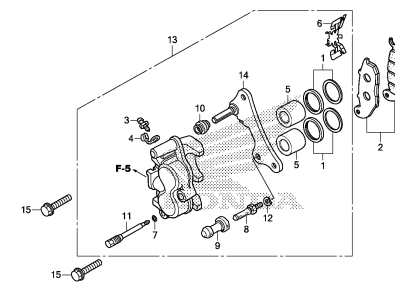


K21SF1100

F-12

FRONT BRAKE CALIPER

F10



K21SF1200

3

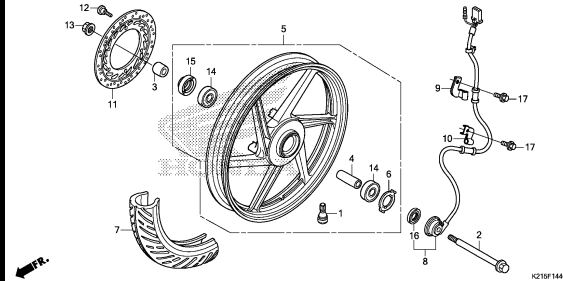
FRAME GROUP

C 6

F-14-40

FRONT WHEEL

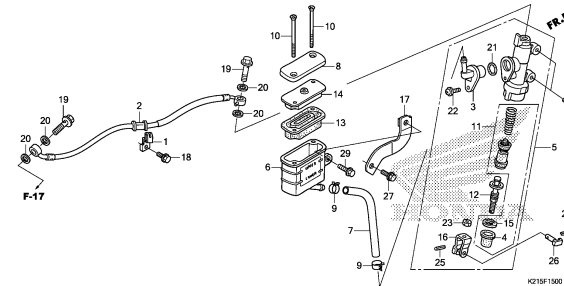
F11



F-15

REAR BRAKE MASTER CYLINDER

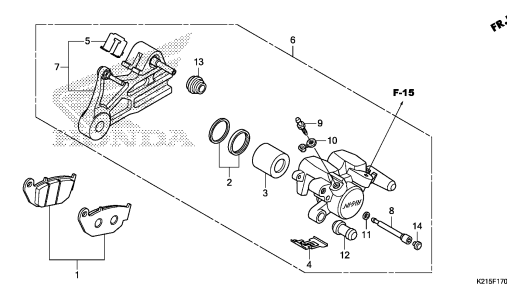
F13



F-17

REAR BRAKE CALIPER

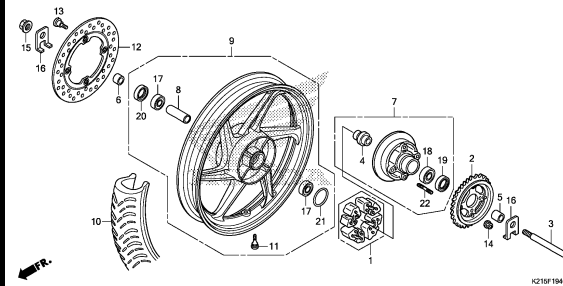
F15



F-19-40

REAR WHEEL

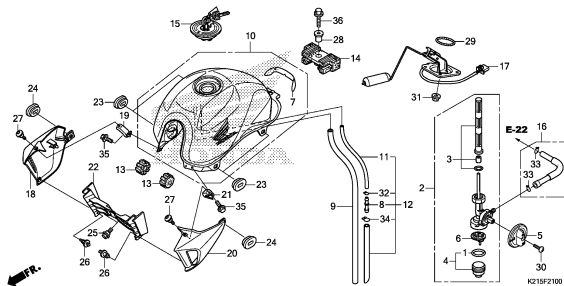
F16



F-21

FUEL TANK

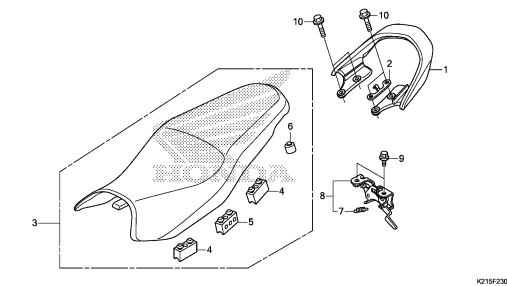
G 2



F-23

SEAT

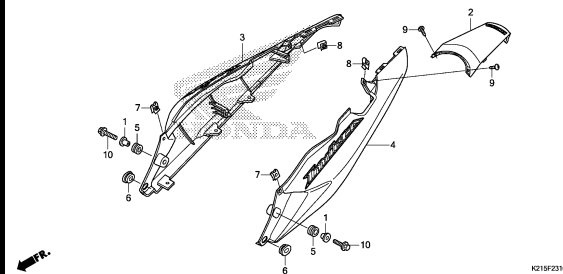
G 4



F-23-10

SIDE COWL

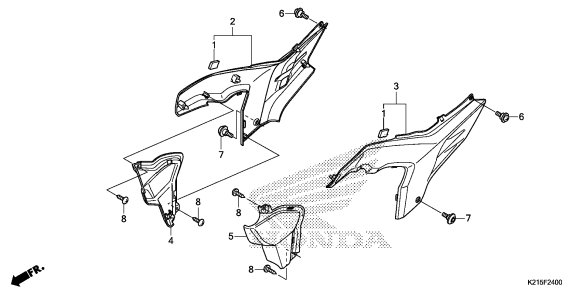
G 5



F-24

SIDE COVER

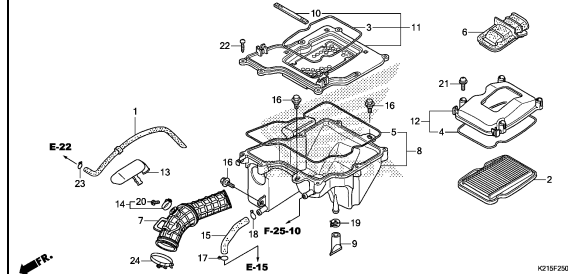
G 6



F-25

AIR CLEANER

G 7



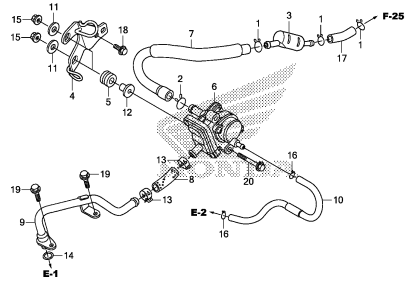
FRAME GROUP

C 7

F-25-10

AIR SUCTION VALVE

G 8

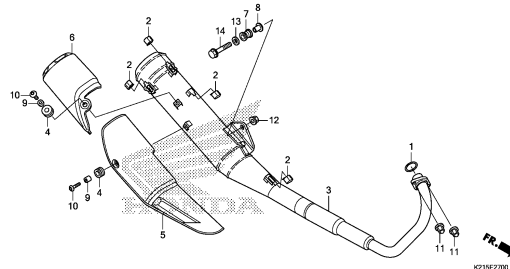


K219F2510

F-27

EXHAUST MUFFLER

G 9

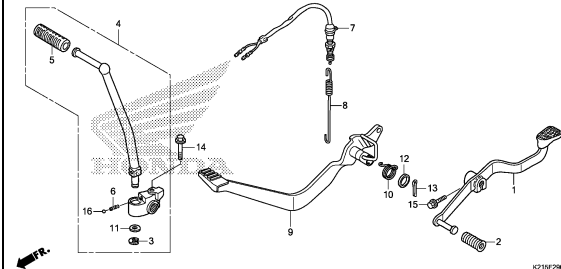


K219F2700

F-29

PEDAL

G10

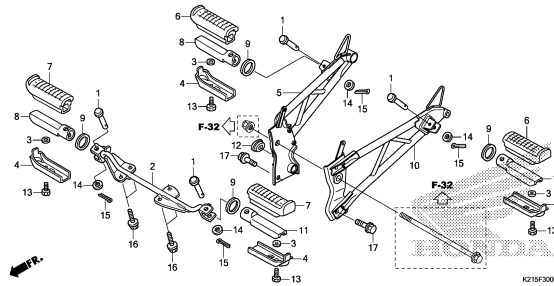


K219F2900

F-30

STEP

G11

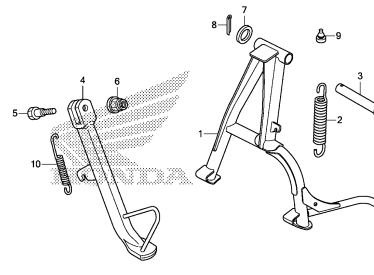


K219F3000

F-31

STAND

G12

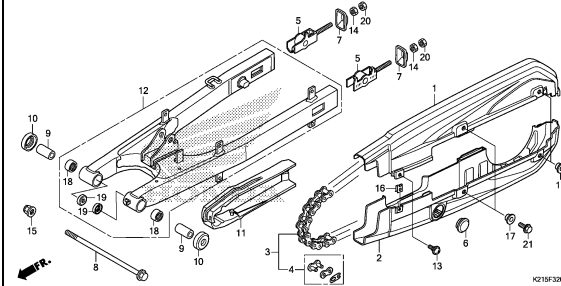


K219F3100

F-32

SWINGARM

G13

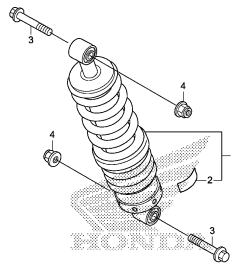


K219F3200

F-33

REAR CUSHION

G14

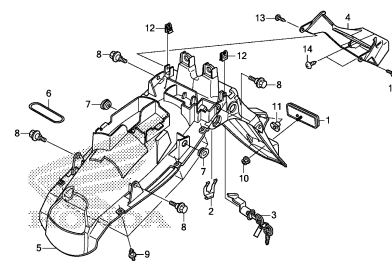


K219F3300

F-34

REAR FENDER

G15

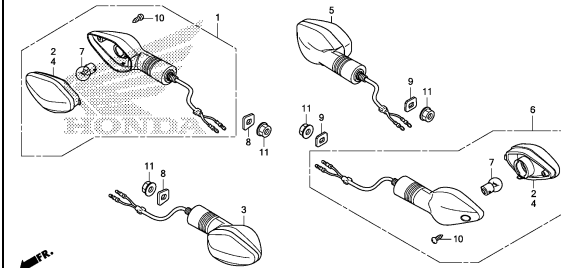


K219F3400

F-35

WINKER

G16



K219F3500

3

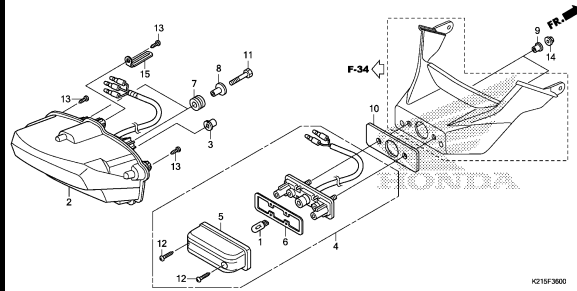
FRAME GROUP

C 8

F-36

TAILLIGHT

H 1

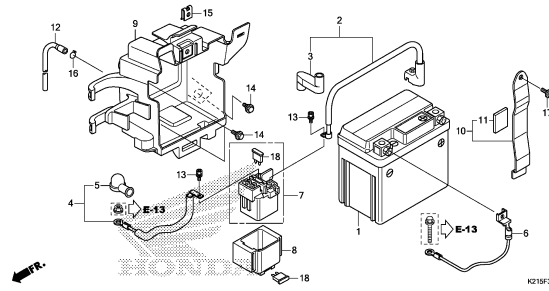


K215F3600

F-37

BATTERY

H 2

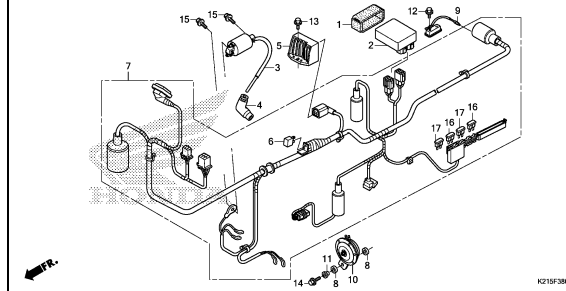


K215F3700

F-38

WIRE HARNESS

H 3

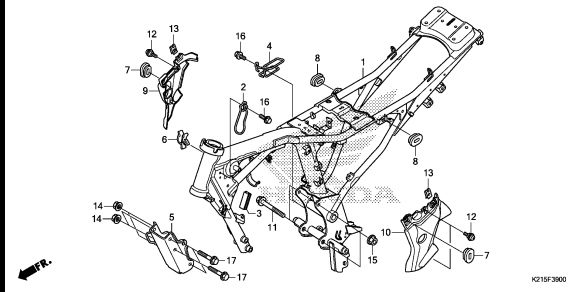


K215F3800

F-39

FRAME BODY

H 4

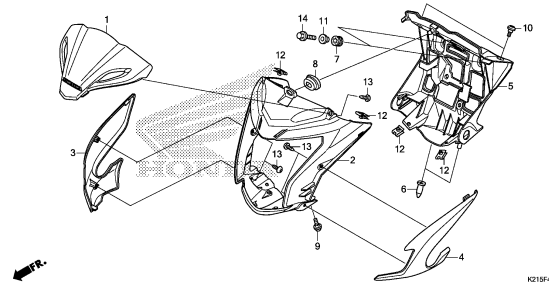


K215F3900

F-43

FRONT COWL

H 5

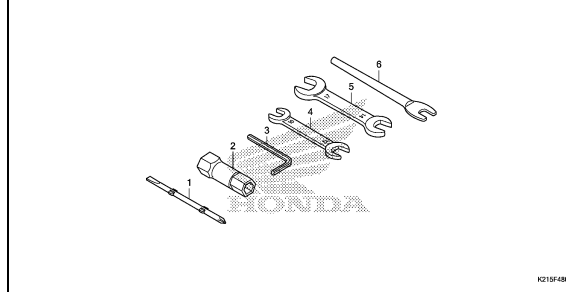


K215F4300

F-48

TOOLS

H 6

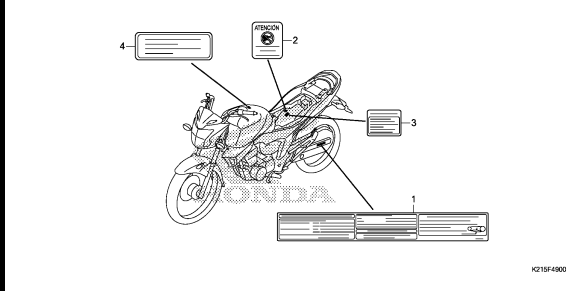


K215F4800

F-49

CAUTION LABEL

H 7

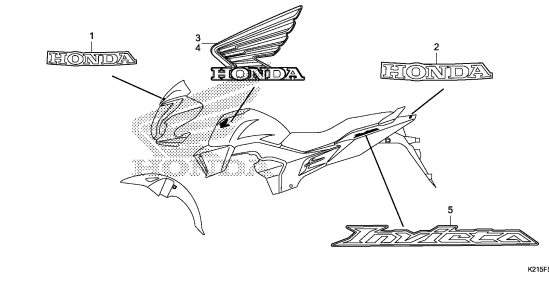


K215F4900

F-50

MARK/EMBLEM

H 8



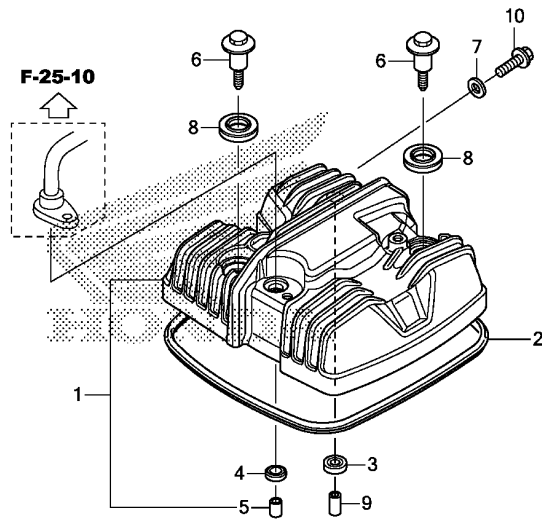
K215F5000

3

E-1

CYLINDER HEAD COVER

D 1



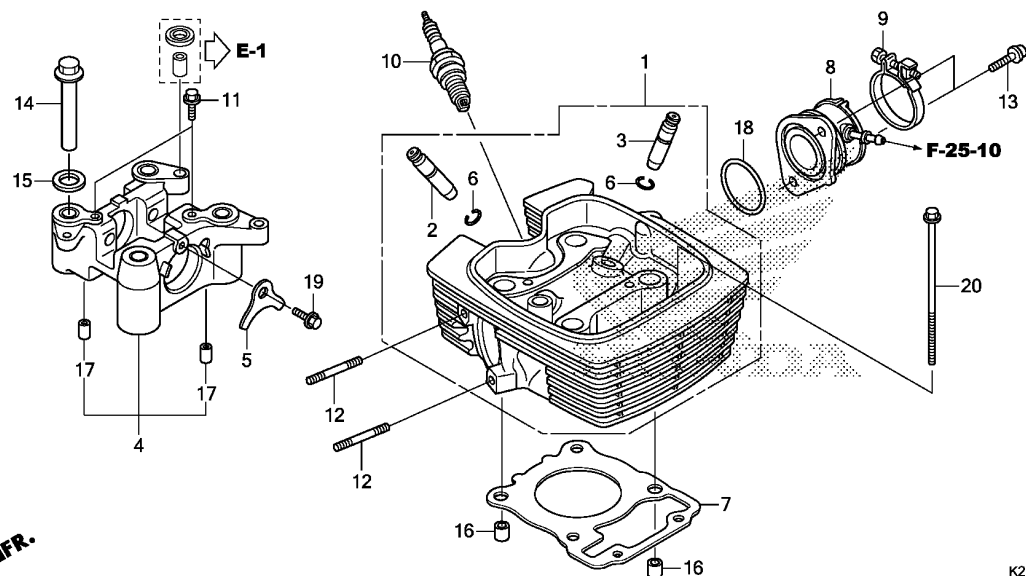
FR.

K215E0100

Ref. No.	L.O.N.	(Relative ref. Number) Description	F.R.T.
1	1111C4	COVER, CYLINDER HEAD	0.3
2	1111D2	GASKET, CYLINDER HEAD COVER ..	0.3

Ref. No.	Part No.	Description	Reqd. QTY	Serial No.	Parts catalogue code
			CBF 150M E		
1	12310-KSP-B01	COVER COMP., CYLINDER HEAD ..	1		
2	12391-KRM-840	GASKET, HEAD COVER	1		
3	12396-KRM-840	GASKET B, HEAD COVER	1		
4	12397-KWG-601	GASKET C, HEAD COVER	1		
5	12397-KYE-901	GASKET C, HEAD COVER (ARAI) ..	1		
5	12398-KSP-B00	COLLAR, 10MM	1		
6	90003-KFG-000	BOLT, L. CRANKCASE COVER	2		
7	90463-KRM-840	WASHER, SEALING, 6.2X12X1.2 ..	1		
8	90543-MV9-670	RUBBER, MOUNTING	2		
9	90702-KRM-840	DOWEL PIN, 8X14	1		
10	96001-06012-00	BOLT, FLANGE, 6X12	1		

2



Ref. No.	L.O.N.	(Relative ref. Number) Description	F.R.T.
1	111106	HEAD, CYLINDERINCLUDES: Valve adjust and reface	2.2
2	1111M0	GUIDE, EXHAUST VALVE(ONE)INCLUDES: Reaming .INCLUDES: Valve adjust and reface	2.2
3	1111L9	GUIDE, INTAKE VALVE(ONE)INCLUDES: Reaming .INCLUDES: Valve adjust and reface	2.2
	1111M9	GUIDE, VALVE :FOR 1 VEHICLE .. .INCLUDES: Reaming .INCLUDES: Valve adjust and reface	2.5
4	1111B4	HOLDER, CAMSHAFT	0.9
7	111115	GASKET, CYLINDER HEAD	1.4
8	311131	INSULATOR, THROTTLE BODY/ CARBURETOR	0.4
10	614130	PLUG, SPARK	0.1

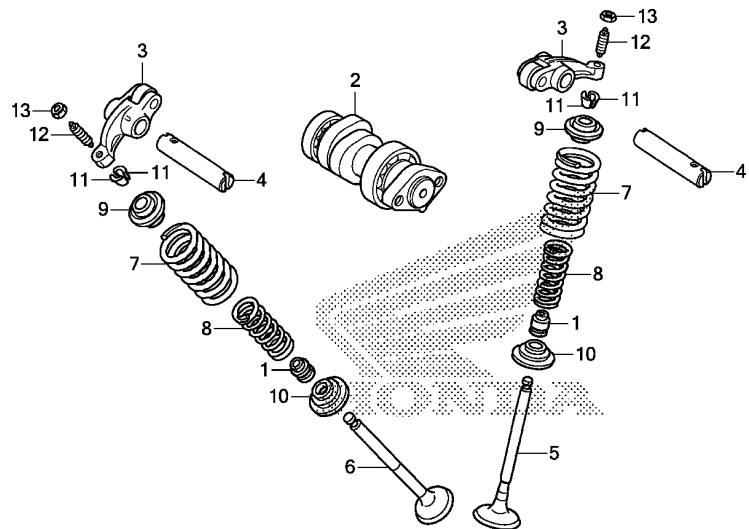
K215E0200

Ref. No.	Part No.	Description	Reqd. QTY	Serial No.	Parts catalogue code
			CBF 150M E		
1	12200-K21-900	HEAD COMP., CYLINDER	1		
2	12204-KRM-305	GUIDE, VALVE(O.S.)	1		
3	12205-KSP-305	GUIDE, IN. VALVE(O.S.)	1		
4	12210-KSP-910	HOLDER COMP., CAMSHAFT	1		
5	12212-KRM-840	PLATE, STOPPER	1		
6	12213-KSP-910	CLIP, VALVE GUIDE	2		
7	12251-KRM-B41	GASKET, CYLINDER HEAD	1		
8	16210-KVE-900	INSULATOR COMP., CARBURETOR ..	1		
9	16217-KSP-910	BAND, INSULATOR	1		
10	31916-KRM-841	PLUG, SPARK(CPR8EA-9)(NGK) ..	1		
	31926-KRM-841	PLUG, SPARK(CPR9EA-9)(NGK) ..	(1)		
	31926-KSP-861	PLUG, SPARK(UR4DC)(BOSCH) ...	(1)		
11	90002-KRM-840	BOLT, FLANGE, 5X14	2		
12	90035-KRM-840	BOLT, STUD, 8X22	2		
13	90091-KRM-840	BOLT, FLANGE SOCKET, 6X22 ...	2		
14	90306-KRM-840	NUT, CYLINDER HEAD	4		
15	90404-KPT-A00	WASHER, PLAIN, 12MM	4		
16	90703-KRM-840	DOWEL PIN, 10X12	2		
17	90704-KRM-840	DOWEL PIN, 6X10	2		
	94302-06100	PIN B, DOWEL, 6X10	2		
	94303-06100	DOWEL PIN, 6X10	2		
18	91304-KRM-840	O-RING, 33.5X3.0	1		
19	95701-06014-00	BOLT, FLANGE, 6X14	1		
20	95801-06105-00	BOLT, FLANGE, 6X105	2		

E-3

CAMSHAFT/VALVE

D 3



K215E0300

Ref. No.	L.O.N.	(Relative ref. Number) Description	F.R.T.
2	111118	CAMSHAFTINCLUDES: Valve adjustment (4)	0.7
3	1111K8	ARM, INTAKE VALVE ROCKER(ONE) .INCLUDES: Valve adjustment	0.8
	1111K9	ARM, EXHAUST VALVE ROCKER(ONE) .INCLUDES: Valve adjustment	0.8
	1111L8	ARM, VALVE ROCKER :FOR 1 VEHICLE	0.8
5	1111N0	VALVE, INTAKE(ONE)	1.7
6	1111N1	VALVE, EXHAUST(ONE)	1.7
	1111P0	VALVE :FOR 1 VEHICLE	1.9
7	1111P2	INTAKE VALVE SPRING AND/OR STEM SEAL(ONE)	1.5
	1111P3	EXHAUST VALVE SPRING AND/OR STEM SEAL(ONE)	1.5
	1111Q2	VALVE SPRING AND/OR STEM SEAL :FOR 1 VEHICLE	1.6

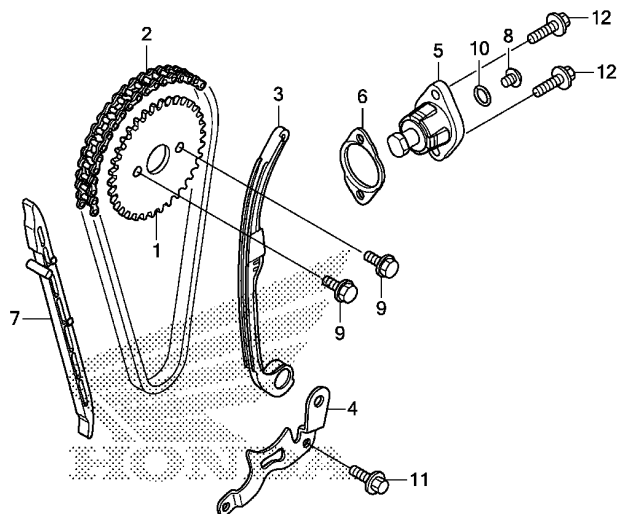
Ref. No.	Part No.	Description	Reqd. QTY	Serial No.	Parts catalogue code
			CBF 150M E		
1	12209-GB4-682	SEAL, VALVE STEM(ARAI)	2		
2	14100-KSP-B00	CAMSHAFT COMP.	1		
3	14430-KSP-910	ARM COMP., VALVE ROCKER	2		
4	14451-KRM-840	SHAFT, ROCKER ARM	2		
5	14711-KSP-910	VALVE, IN.	1		
6	14721-KVE-900	VALVE, EX.	1		
7	14751-KWF-840	SPRING, VALVE OUTER	2		
8	14761-KWF-840	SPRING, VALVE INNER	2		
9	14771-KSP-910	RETAINER, VALVE SPRING	2		
10	14777-KGH-900	SEAT, VALVE SPRING	2		
11	14781-MA6-000	COTTER, VALVE	4		
12	90012-KK3-830	SCREW, TAPPET ADJUSTING	2		
13	90206-250-000	NUT, TAPPET ADJUSTING	2		

2

E-4

CAM CHAIN/TENSIONER

D 4



FR.

K215E0400

Ref. No.	L.O.N.	(Relative ref. Number) Description	F.R.T.
1	1111Q4	SPROCKET, CAM	0.5
2	110140	CHAIN, CAM	1.1
3	111130	TENSIONER, CAM CHAIN	1.0
5		(6)	
	111133	LIFTER, TENSIONER	0.2
7	111139	GUIDE, CAM CHAIN	1.4

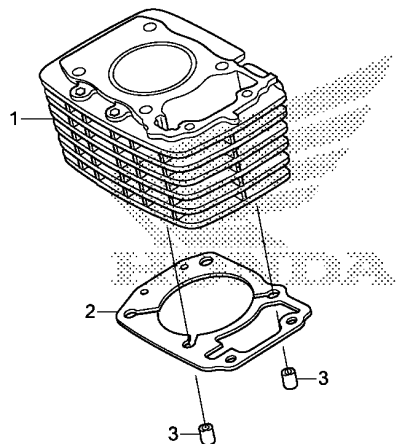
Ref. No.	Part No.	Description	Reqd. QTY	Serial No.	Parts catalogue code
			CBF 150M E		
1	14321-KRM-840	SPROCKET, CAM(34T)	1		
2	14401-KCW-851	CHAIN, CAM(94L)(BORG WARNER)	1		
3	14510-KRM-842	TENSIONER ASSY., CAM CHAIN ..	1		
4	14515-KRM-840	PLATE, TENSIONER SETTING	1		
5	14520-KSP-910	LIFTER ASSY., TENSIONER	1		
6	14560-KSP-910	GASKET, TENSIONER LIFTER	1		
7	14610-KSP-910	GUIDE, CAM CHAIN	1		
8	90005-KY7-000	SCREW, PAN, 6X6	1		
9	90083-KRM-840	BOLT, KNOCK, 5MM	2		
10	91306-KRM-840	O-RING, 1.5X9.5	1		
11	95701-06016-00	BOLT, FLANGE, 6X16	1		
12	96001-06022-00	BOLT, FLANGE, 6X22	2		

2

E-5

CYLINDER

D 5



FR.

K215E0500

Ref. No.	L.O.N.	(Relative ref. Number) Description	F.R.T.
1	1111A5	CYLINDER	1.7
2	111102	GASKET, CYLINDER	1.6

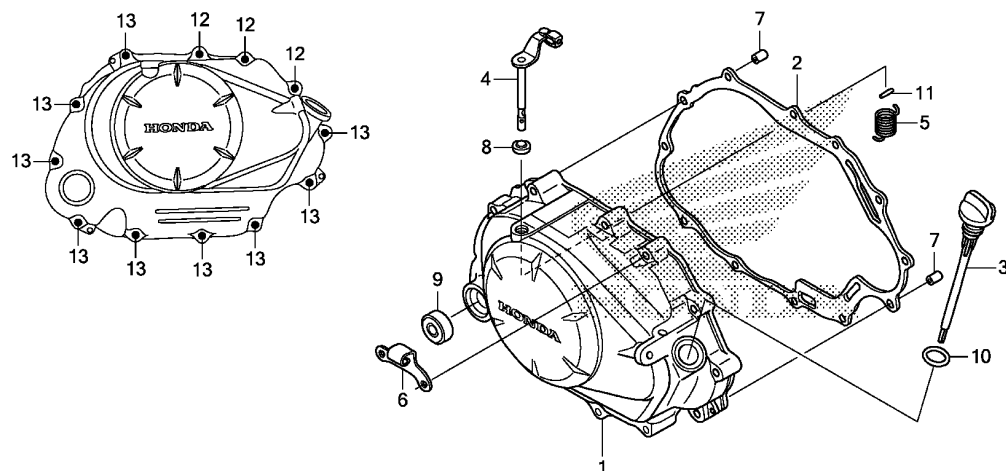
Ref. No.	Part No.	Description	Reqd. QTY	Serial No.	Parts catalogue code
			CBF 150M E		
1	12100-KSP-B00	CYLINDER COMP.	1		
2	12191-KWK-900	GASKET, CYLINDER	1		
3	90703-KRM-840	DOWEL PIN, 10X12	2		

2

E-6

RIGHT CRANKCASE COVER

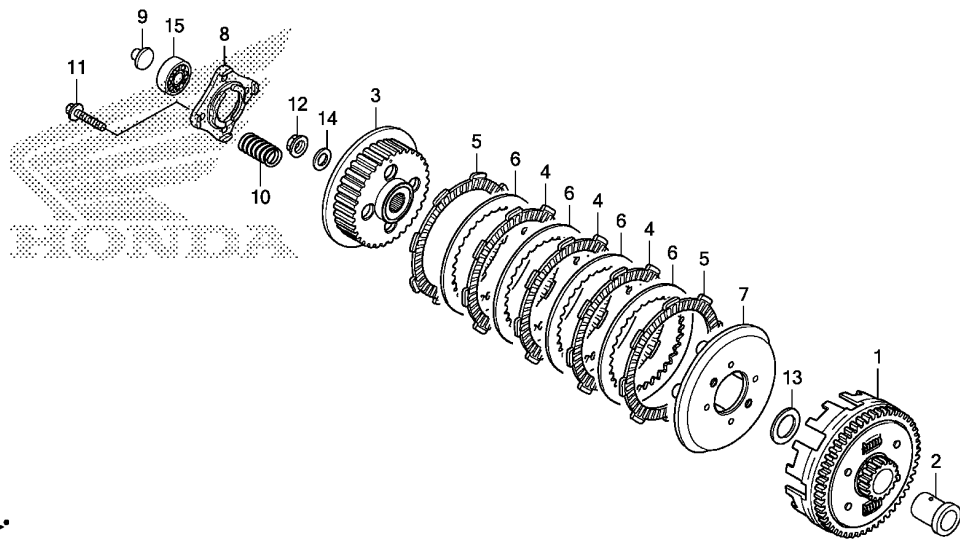
D 6



Ref. No.	L.O.N.	(Relative ref. Number) Description	F.R.T.
1	110159	COVER, CRANKCASE :RIGHT	0.7
2	110158	GASKET, CRANKCASE COVER :RIGHT (5)	0.6
4	2121A7	LEVER, CLUTCH	0.7
9	112105	OIL SEAL, KICK STARTER SPINDLE	0.6

K215E0600

Ref. No.	Part No.	Description	Reqd. QTY	Serial No.	Parts catalogue code
			CBF 150M E		
1	11330-KSP-B10	COVER COMP., R. CRANKCASE	1		
2	11393-KWK-900	GASKET, R. CRANKCASE COVER	1		
3	15651-KSP-910	GAUGE, OIL LEVEL	1		
4	22810-KRM-B00	LEVER COMP., CLUTCH	1		
5	22815-428-000	SPRING, CLUTCH LEVER	1		
6	22821-KSP-B00	RECEIVER, CLUTCH CABLE	1		
7	90702-KRM-840	DOWEL PIN, 8X14	2		
8	91202-KSP-911	OIL SEAL, 12X18X4	1		
9	91204-KSP-911	OIL SEAL, 16X28X7	1		
10	91307-KRM-840	O-RING, 18X3	1		
11	94305-30102	PIN, SPRING, 3X10	1		
12	96001-06030-00	BOLT, FLANGE, 6X30	3		
13	96001-06040-00	BOLT, FLANGE, 6X40	9		



K215E0800

Ref. No.	L.O.N.	(Relative ref. Number) Description	F.R.T.
1	2121A0	OUTER, CLUTCH	1.0
3	212112	CENTER, CLUTCH	1.0
4		(5,6,7)	
	2121A1	DISC, CLUTCH FRICTION	1.0
		.NOTE: Same time for two units or more	
8	2121A4	PLATE, CLUTCH LIFTER	0.7
9	2121B6	ROD, CLUTCH LIFTER	0.6
10	212107	SPRING, CLUTCH	0.7
		.NOTE: Same time for two units or more	
15	2121B4	BEARING, CLUTCH LIFTER	0.7

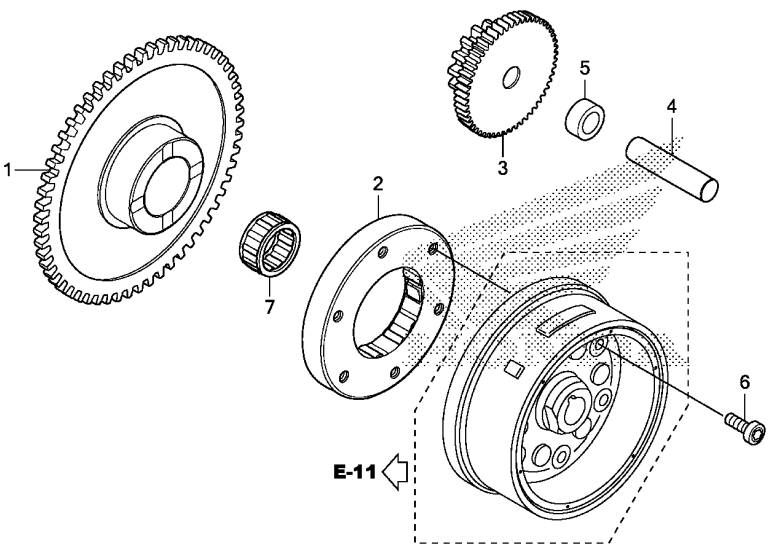
Ref. No.	Part No.	Description	Reqd. QTY	Serial No.	Parts catalogue code
			CBF 150M E		
1	22100-KWF-940	OUTER COMP., CLUTCH	1		
2	22115-KSP-910	GUIDE, CLUTCH OUTER	1		
3	22120-KRM-840	CENTER, CLUTCH	1		
4	22201-KPM-850	DISK, CLUTCH FRICTION(4X8X45)	3		
5	22201-MR8-000	DISK, CLUTCH FRICTION	2		
6	22321-KPS-900	PLATE, CLUTCH	4		
7	22355-KRM-840	PLATE, CLUTCH PRESSURE	1		
8	22361-KPK-900	PLATE, CLUTCH LIFTER	1		
9	22366-KRM-840	ROD, CLUTCH LIFTER	1		
10	22401-KRM-840	SPRING, CLUTCH	4		
11	90008-KRM-840	BOLT, FLANGE, 6X25	4		
12	90202-KRM-840	NUT, SPECIAL FLANGE, 14MM ...	1		
13	90401-KRM-840	WASHER, PLAIN, 17MM	1		
14	90501-KPT-A00	WASHER, 14.1X29X2.8	1		
15	96100-60030-00	BEARING, RADIAL BALL, 6003 ..	1		



E-9

STARTING CLUTCH

D 8



Ref. No.	L.O.N.	(Relative ref. Number) Description	F.R.T.
1	612120	(7) GEAR, STARTER DRIVEN	0.5
2	612131	OUTER, STARTING CLUTCH	0.6
3	612125	GEAR, STARTER REDUCTION	0.3

K215E0900

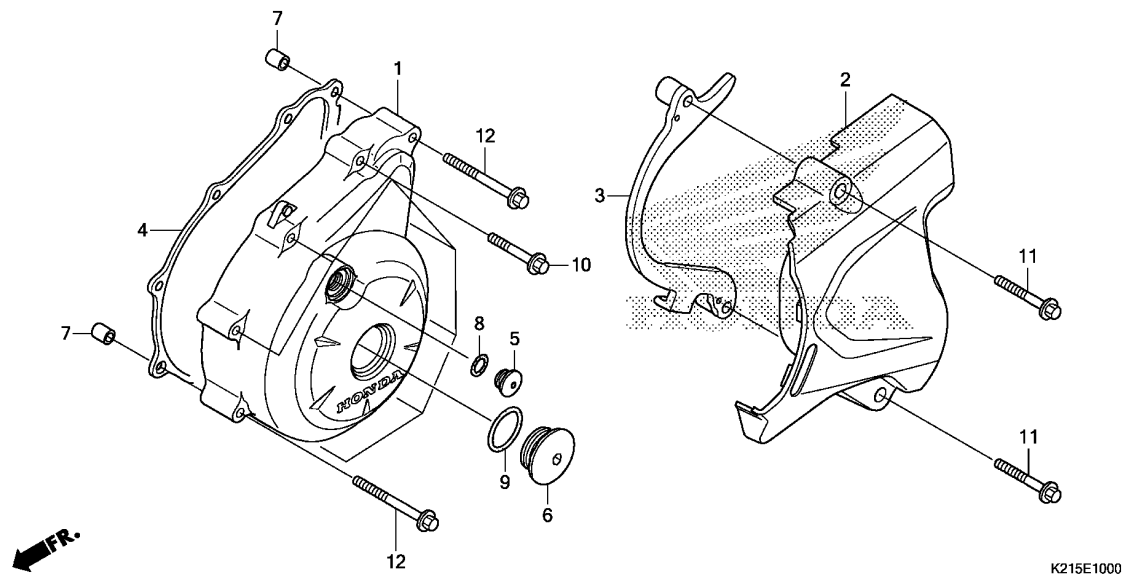
Ref. No.	Part No.	Description	Reqd. QTY	Serial No.	Parts catalogue code
			CBF 150M E		
1	28110-KRM-850	GEAR, STARTER DRIVEN(58T) ...	1		
	28110-KWF-920	GEAR COMP., STARTER DRIVEN (58T)	1		
2	28120-KWB-921	CLUTCH ASSY., ONE WAY (KYUSHU MUSASHI SEIMITSU)	1		
3	28131-KTN-900	GEAR, STARTER REDUCTION (15/53T)	1		
	28131-KVS-851	GEAR, STARTER REDUCTION (15/53T)(HITACHI FUNMATSU)	1		
4	28132-KN6-930	SHAFT, REDUCTION GEAR	1		
5	28133-KRM-850	COLLAR, STARTER REDUCTION ...	1		
6	90085-KSP-901	BOLT, SOCKET, 6MM	6		
7	91022-KSP-900	BEARING, NEEDLE, 22X29X16.8 -	1		

2

E-10

LEFT CRANKCASE COVER

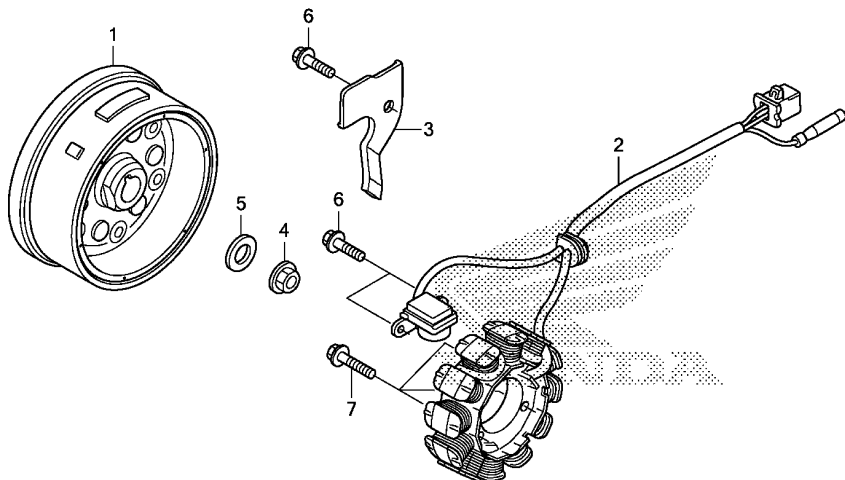
D 9



Ref. No.	L.O.N.	(Relative ref. Number) Description	F.R.T.
1	1101A6	COVER, CRANKCASE :LEFT	0.4
2	1101B0	COVER, CRANKCASE :LEFT REAR ..	0.2
4	1101A3	GASKET, CRANKCASE COVER :LEFT	0.3

Ref. No.	Part No.	Description	Reqd. QTY	Serial No.	Parts catalogue code
			CBF 150M E		
1	11341-KSP-B00	COVER, L. CRANKCASE	1		
2	11360-K21-900	COVER COMP., L. RR.	1		
3	11365-K21-900	GUIDE COMP., DRIVE CHAIN	1		
4	11395-KWK-900	GASKET, L. COVER	1		
5	90084-MN8-010	CAP, 14MM	1		
6	90087-KSP-860	CAP, 32MM	1		
7	90702-KRM-840	DOWEL PIN, 8X14	2		
8	91303-KRM-840	O-RING, 13.8X2.5	1		
9	91305-KRM-840	O-RING, 31.7X2.4	1		
10	96001-06035-00	BOLT, FLANGE, 6X35	7		
11	96001-06040-00	BOLT, FLANGE, 6X40	2		
12	96001-06045-00	BOLT, FLANGE, 6X45	2		

2



FR.

K215E1100

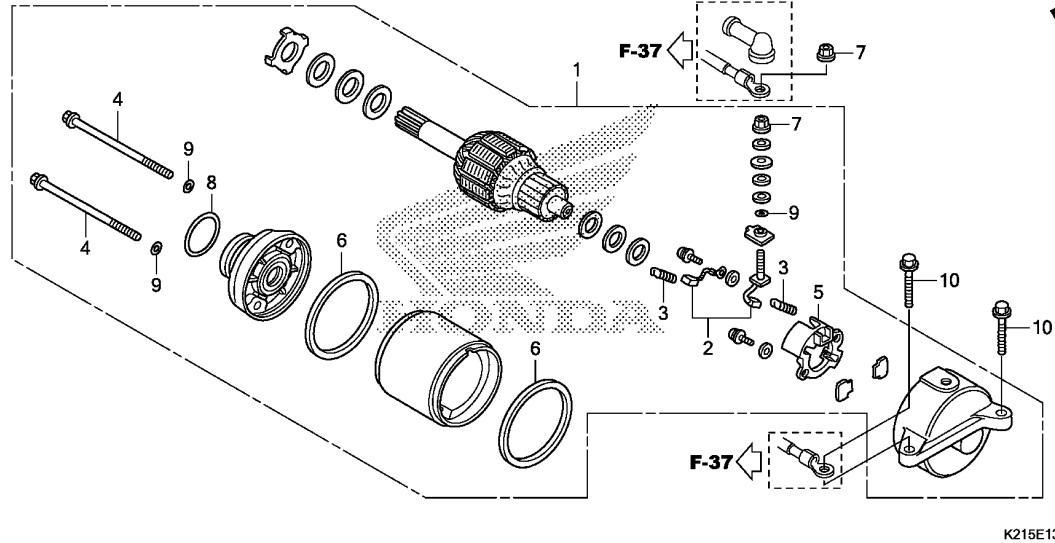
Ref. No.	L.O.N.	(Relative ref. Number) Description	F.R.T.
1	613105	ROTOR OR FLYWHEEL	0.6
2	6131A3	STATOR	0.6

Ref. No.	Part No.	Description	Reqd. QTY	Serial No.	Parts catalogue code
			CBF 150M E		
1	31110-KSP-B01	FLYWHEEL COMP.(MITSUBA)	1		
2	31120-K21-901	STATOR COMP.(MITSUBA)	1		
3	32111-KSP-910	CLAMPER, A.C. GENERATOR CORD	1		
4	90201-KRM-840	NUT, FLANGE, 14MM	1		
5	90501-KPT-A00	WASHER, 14.1X29X2.8	1		
6	96001-06016-00	BOLT, FLANGE, 6X16	3		
7	96001-06022-00	BOLT, FLANGE, 6X22	3		

E-13

STARTER MOTOR

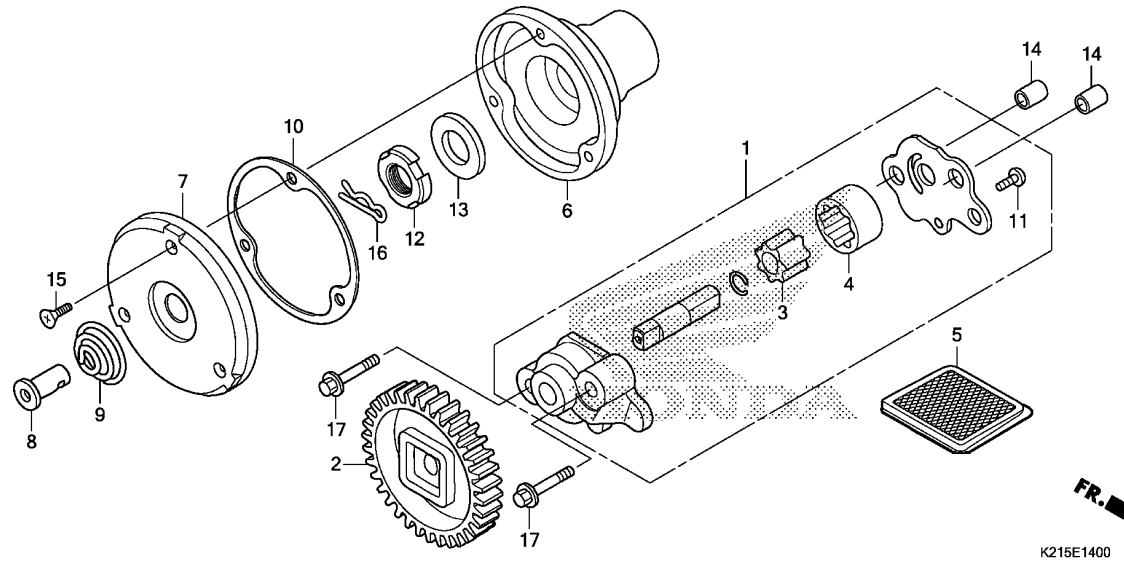
D11



Ref. No.	L.O.N.	(Relative ref. Number) Description	F.R.T.
1		(8)	
2	612105	MOTOR, STARTING	0.3
		(3,6)	
3	6121A4	TERMINAL, BRUSH(STARTER)	0.5
5	6121A5	HOLDER, BRUSH(STARTER)	0.5

Ref. No.	Part No.	Description	Reqd. QTY	Serial No.	Parts catalogue code
			CBF 150M E		
1	31200-K21-901	MOTOR ASSY., STARTER(MITSUBA)	1		
2	31201-KPT-A01	TERMINAL SET, BRUSH	1		
3	31204-KG8-004	SPRING, CARBON BRUSH	2		
4	31205-KTC-921	BOLT, SETTING	2		
5	31206-KPH-881	HOLDER, BRUSH	1		
6	31207-MBE-008	RING	2		
7	90071-MB0-000	NUT-WASHER, 6MM	2		
8	91309-425-003	O-RING, 24.4X3.1(ARAI)	1		
9	91320-MB0-000	O-RING, 4X2	3		
10	95701-06022-00	BOLT, FLANGE, 6X22	2		

2



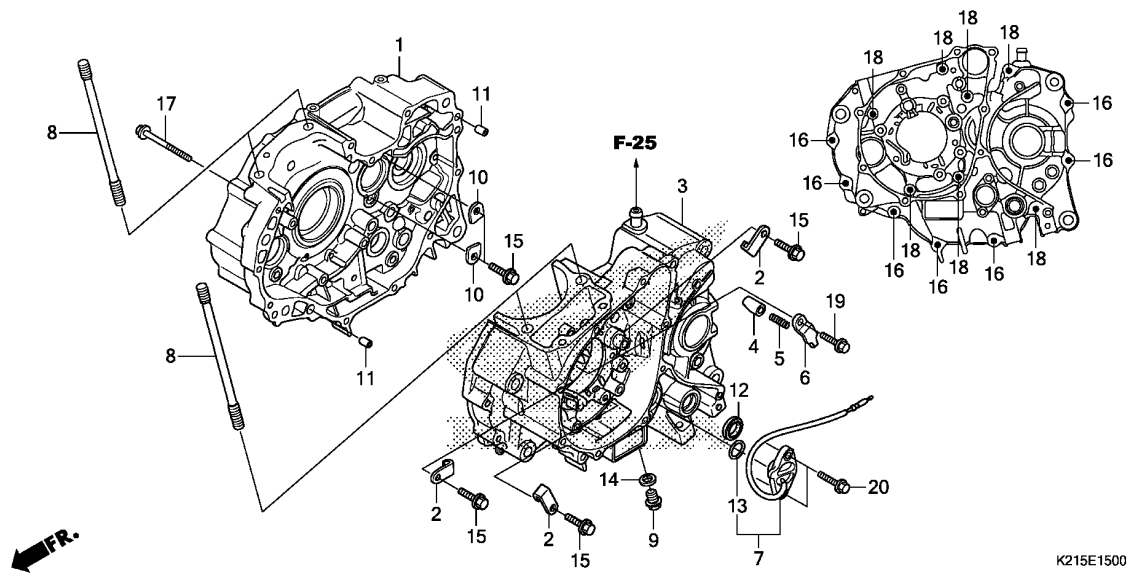
Ref. No.	L.O.N.	(Relative ref. Number) Description	F.R.T.
1	113105	PUMP ASSY., OIL	0.7
2	1131B8	GEAR, OIL PUMP DRIVE	0.6
3		(4)	
	1131C7	ROTOR, OIL PUMP	0.8
		.NOTE: Same time for two units	
5	1131B5	SCREEN, OIL FILTER	0.6
6	1101L0	ROTOR, OIL FILTER	0.8
7	1101L1	CAP, OIL FILTER ROTOR	0.7

Ref. No.	Part No.	Description	Reqd. QTY	Serial No.	Parts catalogue code
			CBF 150M E		
1	15100-KRM-840	PUMP ASSY., OIL	1		
2	15130-KRM-840	GEAR COMP., OIL PUMP DRIVE (34T)	1		
3	15331-KRM-840	ROTOR, OIL PUMP INNER	1		
4	15332-KRM-840	ROTOR, OIL PUMP OUTER	1		
5	15421-KSP-910	SCREEN, OIL FILTER	1		
6	15430-KSP-910	ROTOR, OIL FILTER	1		
7	15436-KRM-840	CAP, OIL FILTER ROTOR	1		
8	15441-KCS-650	THROUGH, OIL	1		
9	15446-107-000	SPRING, OIL THROUGH	1		
10	15459-KWK-900	GASKET, OIL FILTER CAP	1		
11	90106-GHR-J20	SCREW, TAPPING, 4X8	1		
	93901-34120	1		
12	90231-KRM-840	NUT, LOCK, 14MM	1		
13	90432-KPT-A00	WASHER, 14.2X26X3	1		
14	90702-KRM-840	DOWEL PIN, 8X14	2		
15	93700-05012-0A	SCREW, OVAL, 5X12	3		
16	94251-08000	PIN, LOCK, 8MM	1		
17	95701-06035-00	BOLT, FLANGE, 6X35	2		

E-15

CRANKCASE

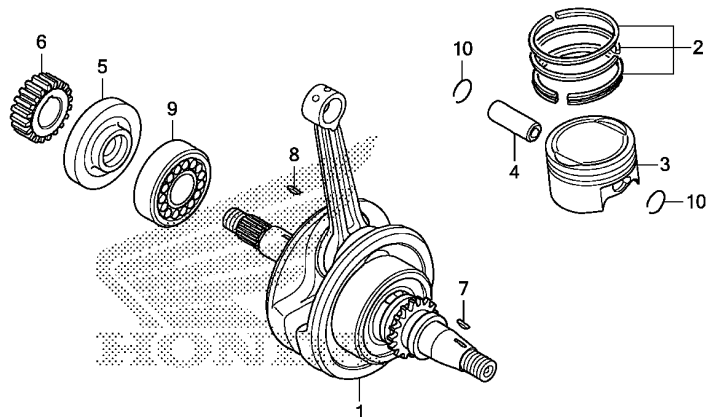
D13



Ref. No.	L.O.N.	(Relative ref. Number) Description	F.R.T.
1	110120	CRANKCASE :RIGHTINCLUDES: Engine removal and installation	4.5
3	110115	CRANKCASE :LEFTINCLUDES: Engine removal and installation	4.2
	1101A2	CRANKCASE :BOTHINCLUDES: Engine removal and installation	5.1
7	6151B8	SWITCH, NEUTRAL	0.3
12	1101F9	OIL SEAL, GEARSHIFT SPINDLE ..	0.9

Ref. No.	Part No.	Description	Reqd. QTY	Serial No.	Parts catalogue code
			CBF 150M E		
1	11100-KSP-860	CRANKCASE COMP., R.	1		
2	11108-KTT-900	PLATE, L. BEARING SETTING ...	3		
3	11200-KSP-860	CRANKCASE COMP., L.	1		
4	11215-KRM-840	PLUG, BEARING PUSH	1		
5	11216-KRM-840	SPRING, BEARING PUSH	1		
6	11217-KRM-840	PLATE, BEARING PUSH	1		
7	35750-KSP-B00	SWITCH SET, NEUTRAL	1		
8	90031-KSP-910	BOLT, CYLINDER STUD, 8X140 ..	4		
9	90131-KRM-840	BOLT, DRAIN PLUG, 12MM	1		
10	90441-KRM-840	PLATE, BEARING HOLDER	2		
11	90702-KRM-840	DOWEL PIN, 8X14	2		
12	91203-KSP-911	OIL SEAL, 14X22X5	1		
13	91305-KPH-900	O-RING, 19.4X2.3	1		
14	94109-12000	WASHER, DRAIN PLUG, 12MM	1		
15	95701-06016-00	BOLT, FLANGE, 6X16	5		
16	95701-06040-00	BOLT, FLANGE, 6X40	7		
17	95701-06045-00	BOLT, FLANGE, 6X45	1		
18	95701-06070-00	BOLT, FLANGE, 6X70	7		
19	96001-06018-00	BOLT, FLANGE, 6X18	1		
20	96001-06020-00	BOLT, FLANGE, 6X20	2		

2

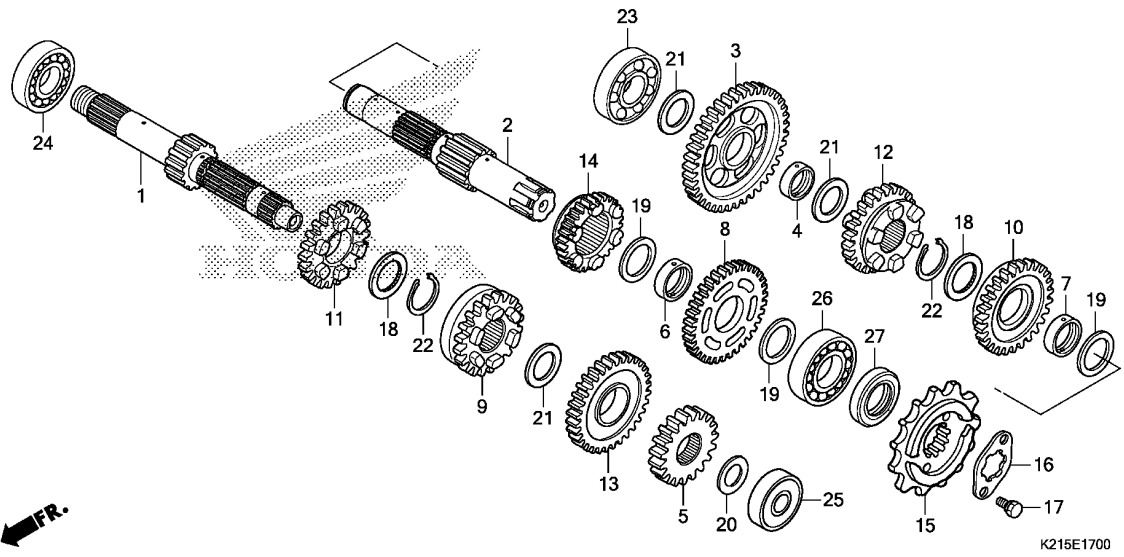


K215E1600

Ref. No.	L.O.N.	(Relative ref. Number) Description	F.R.T.
1	1101B5	CRANKSHAFTINCLUDES: Engine removal and installation	3.7
3	111103	PISTON RING AND/OR PISTON(ONE) (2,4,10)	1.8
9	1101B7	BEARING, CRANKSHAFT :RIGHTINCLUDES: Engine removal and installation	3.7

Ref. No.	Part No.	Description	Reqd. QTY	Serial No.	Parts catalogue code
			CBF 150M E		
1	13000-KSP-911	CRANKSHAFT COMP.	1		
2	13011-KRM-305	RING SET, PISTON(STD.) (RIKEN)	1		
	13021-KRM-305	RING SET, PISTON(0.25) (RIKEN)	(1)		
	13031-KRM-305	RING SET, PISTON(0.50) (RIKEN)	(1)		
	13041-KRM-305	RING SET, PISTON(0.75) (RIKEN)	(1)		
	13051-KRM-305	RING SET, PISTON(1.00) (RIKEN)	(1)		
3	13101-KRM-930	PISTON(STD.)	1		
	13102-KRM-305	PISTON(0.25)	(1)		
	13103-KRM-305	PISTON(0.50)	(1)		
	13104-KRM-305	PISTON(0.75)	(1)		
	13105-KRM-305	PISTON(1.00)	(1)		
4	13111-KSP-910	PIN, PISTON	1		
5	13412-KSP-910	COLLAR, R. CRANKSHAFT	1		
6	23121-KRM-840	GEAR, PRIMARY DRIVE(20T)	1		
7	90741-KFB-000	KEY, WOODRUFF, 4MM	1		
8	90741-KGH-900	KEY, WOODRUFF, 4MM	1		
9	91001-KSP-913	BEARING, ROLLER, 30X58X17(FAG)	1		
10	94601-14000	CLIP, PISTON PIN, 14MM	2		

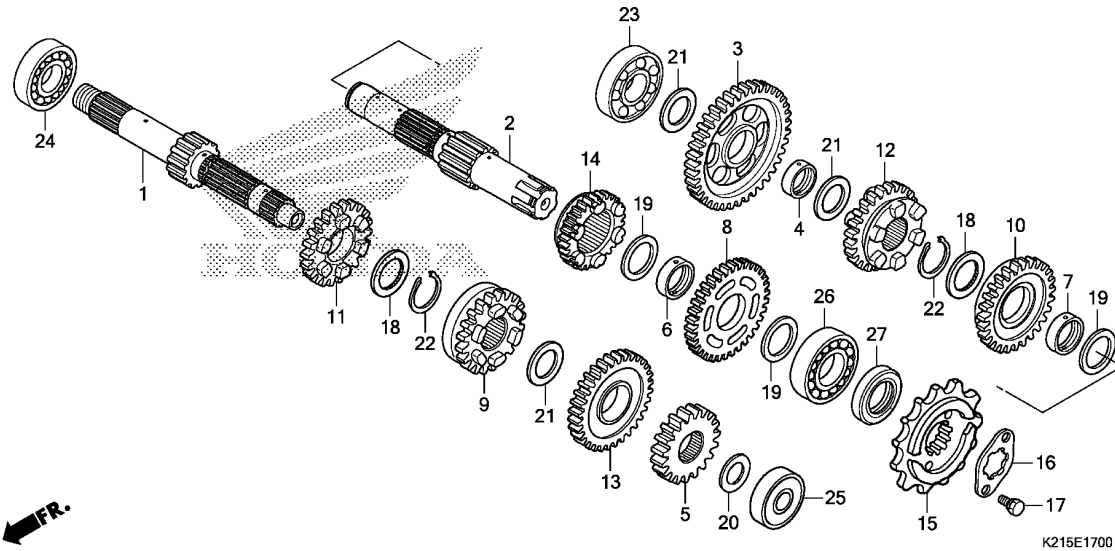
FR.



Ref. No.	L.O.N.	(Relative ref. Number) Description	F.R.T.
1		(5,9,11,13)	
210141		MAINSHAFT, TRANSMISSION	3.7
		.INCLUDES: Engine removal and installation	
2		210141A .Replace countershaft add	0.2
		(3,8,10,12,14)	
210142		COUNTERSHAFT, TRANSMISSION ...	3.7
		.INCLUDES: Engine removal and installation	
		210142A .Replace mainshaft add	0.2
15		213135 SPROCKET, DRIVE	0.3
23		2101C8 BEARING, COUNTERSHAFT :RIGHT	3.7
		.INCLUDES: Engine removal and installation	
24		2101C5 BEARING, MAINSHAFT :RIGHT	3.7
		.INCLUDES: Engine removal and installation	
25		2101C2 BEARING, MAINSHAFT :LEFT	3.7
		.INCLUDES: Engine removal and installation	
		2101C6 BEARING, MAINSHAFT :BOTH	3.9
		.INCLUDES: Engine removal and installation	
+26		2101C7 BEARING, COUNTERSHAFT :LEFT ..	3.7

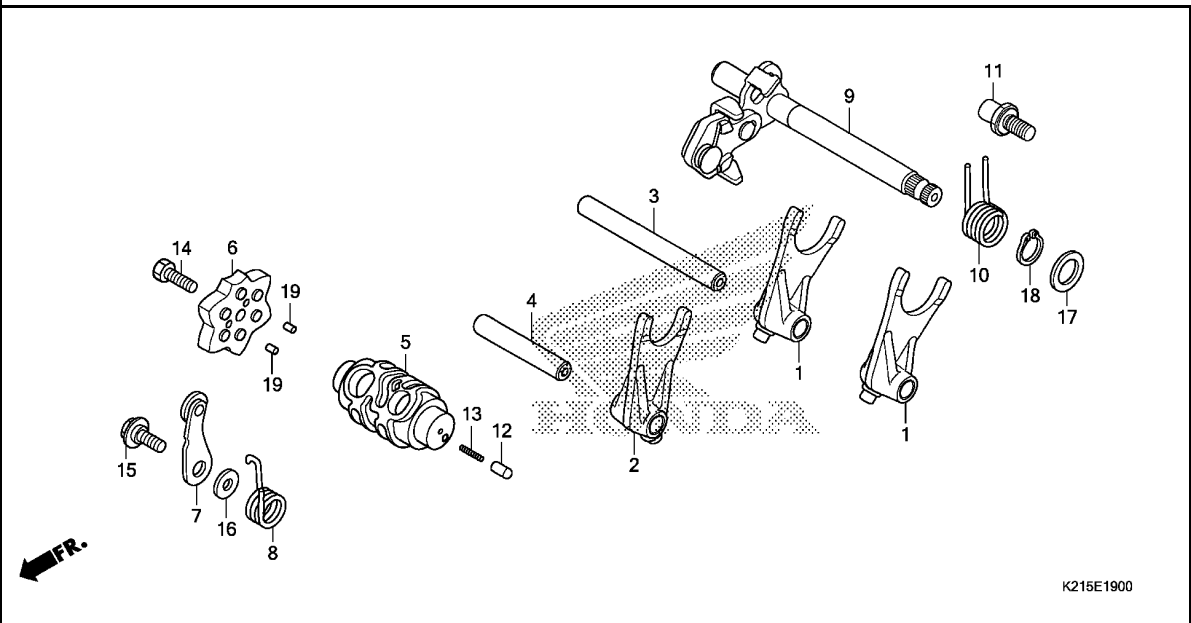
Ref. No.	Part No.	Description	Reqd. QTY	Serial No.	Parts catalogue code
			CBF		
			150M		
			E		
1	23210-KWF-900	MAINSHAFT COMP.(13T)	1		
2	23220-KRH-780	COUNTERSHAFT COMP.	1		
3	23421-KWF-900	GEAR, COUNTERSHAFT LOW(40T) -	1		
4	23427-KRM-840	BUSH, 17X20.5X8.0	1		
5	23431-KVS-900	GEAR, MAINSHAFT SECOND(19T) -	1		
6	23432-KVS-900	COLLAR, 20MM	1		
7	23432-KWF-900	BUSH, 20X23X10.8	1		
8	23441-KVS-900	GEAR, COUNTERSHAFT SECOND(34T)	1		
9	23451-KSP-B00	GEAR, MAINSHAFT THIRD(23T) --	1		
10	23461-KSP-B00	GEAR, COUNTERSHAFT THIRD(30T)	1		
11	23471-KSP-B00	GEAR, MAINSHAFT FOURTH(22T) -	1		
12	23481-KSP-B00	GEAR, COUNTERSHAFT FOURTH(24T)	1		
13	23491-KRE-B00	GEAR, MAINSHAFT FIFTH(32T) --	1		
14	23501-KRE-B00	GEAR, COUNTERSHAFT FIFTH(30T)	1		
15	23800-K21-900	SPROCKET COMP., DRIVE(15T) --	1		
16	23811-KR3-600	PLATE A2, FIXING	1		
17	90084-041-000	BOLT, DRIVE SPROCKET FIXING -	2		
18	90453-KVS-900	WASHER, SPLINE, 20MM	2		
19	90454-KPS-900	WASHER B, THRUST, 20MM	3		
20	90456-KRM-840	WASHER, THRUST, 12MM	1		
21	90458-KVS-900	WASHER, THRUST, 17MM	3		
22	90605-KVS-900	SET RING, 20MM	2		
23	91003-KSP-910	BEARING, RADIAL BALL, 17X42X12	1		
24	91004-KTN-900	BEARING, RADIAL BALL, 17X40X12	1		
25	91005-KTN-900	BEARING, RADIAL BALL, 12X32X10	1		





Ref. No.	L.O.N.	(Relative ref. Number) Description	F.R.T.
+26		.INCLUDES: Engine removal and installation	
2101C9		BEARING, COUNTERSHAFT :BOTH ..	3.9
2101D4		BEARING, MAINSHAFT AND COUNTERSHAFT :ALL	4.1
		.INCLUDES: Engine removal and installation	

Ref. No.	Part No.	Description	Reqd. QTY	Serial No.	Parts catalogue code
26	91006-KTN-900	BEARING, RADIAL BALL, 20X47X14	1		
27	91216-KSP-911	OIL SEAL, 20X34X7	1		

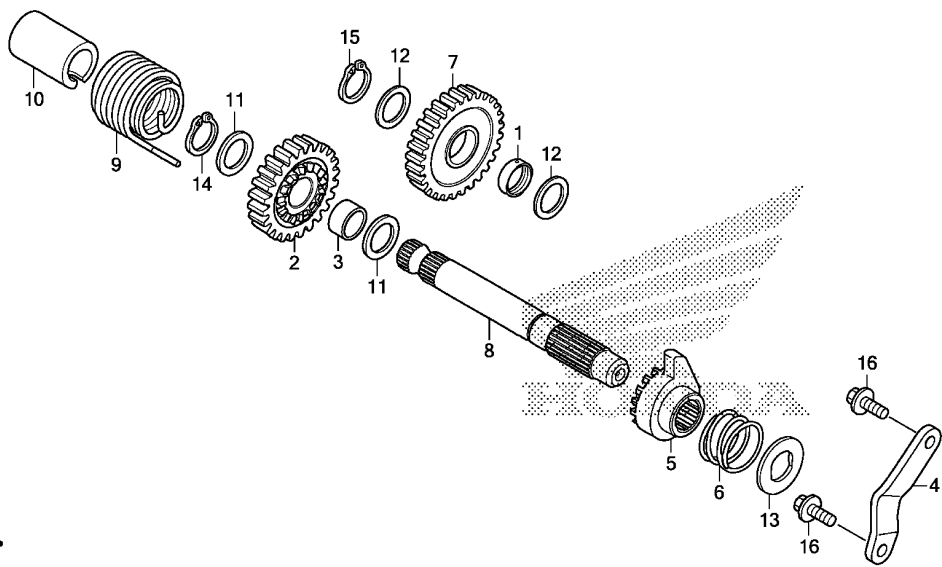


K215E1900

Ref. No.	L.O.N.	(Relative ref. Number) Description	F.R.T.
1		(2)	
210112		FORK, GEARSHIFTINCLUDES: Engine removal and installation .NOTE: Same time for two units or more	3.6
5	2101A9	DRUM, GEARSHIFTINCLUDES: Engine removal and installation	3.6
6	2101D6	PLATE, GEARSHIFT DRUM STOPPER (8)	1.1
7	210125	STOPPER OR SPRING, SHIFT DRUM (10)	1.1
9	210122	SPINDLE, GEARSHIFT	1.0

Ref. No.	Part No.	Description	Reqd. QTY	Serial No.	Parts catalogue code
			CBF 150M E		
1	24211-KRM-840	FORK, GEARSHIFT	2		
2	24212-KWF-900	FORK, CENTER GEARSHIFT	1		
3	24241-KRM-840	SHAFT A, GEARSHIFT FORK	1		
4	24242-KRM-840	SHAFT B, GEARSHIFT FORK	1		
5	24301-KSP-910	DRUM, GEARSHIFT	1		
6	24410-KSP-860	PLATE COMP., GEARSHIFT DRUM STOPPER	1		
7	24430-KRM-B10	STOPPER COMP., GEARSHIFT DRUM	1		
8	24436-KRM-840	SPRING, SHIFT DRUM STOPPER ..	1		
9	24610-KRM-840	SPINDLE COMP., GEARSHIFT	1		
10	24651-KSP-910	SPRING, GEARSHIFT RETURN	1		
11	24652-KRM-840	PIN, SHIFT RETURN SPRING	1		
12	35751-KPH-900	CAP, CHANGE SWITCH CONTACT ..	1		
13	35752-KRM-840	SPRING, CHANGE SWITCH CONTACT	1		
14	90003-KVS-900	BOLT, HEX., 6X20	1		
15	90022-KRM-840	PIVOT, SHIFT DRUM STOPPER ARM	1		
16	90417-KRM-840	WASHER, DRUM STOPPER	1		
17	90457-KRM-840	WASHER, 14MM	1		
18	94510-14000	CIRCLIP, EXTERNAL, 14MM	1		
19	96220-30085	ROLLER, 3X8.5	2		



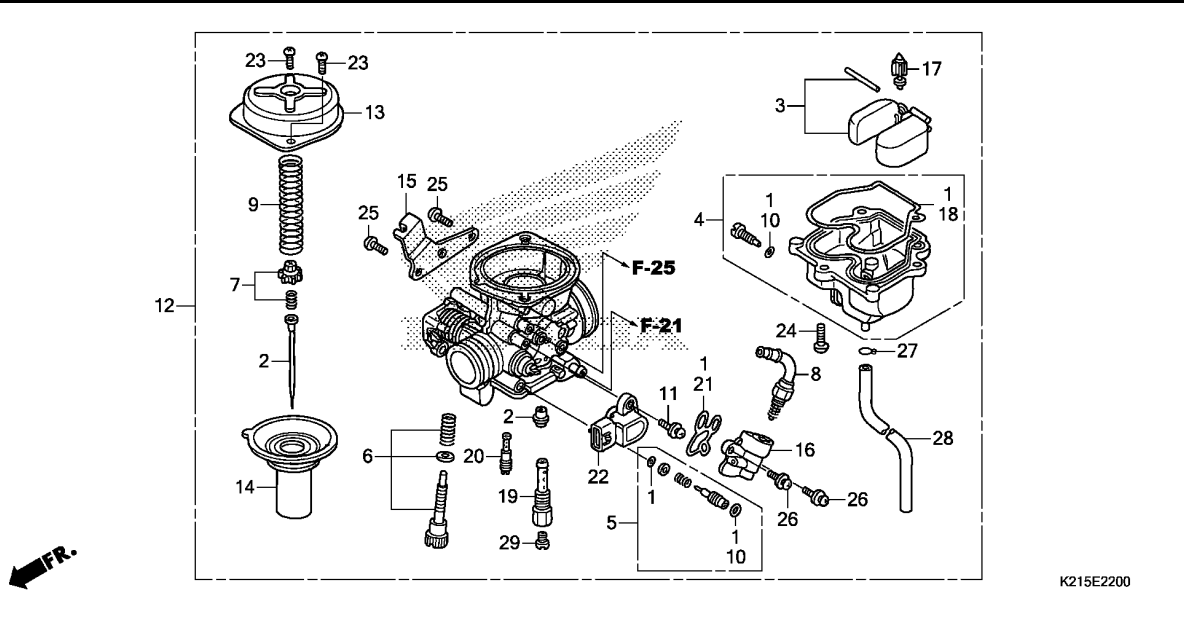


FR.

K215E2000

Ref. No.	L.O.N.	(Relative ref. Number) Description	F.R.T.
7	1121B2	GEAR, KICK STARTER FIRST IDLE (2,5)	1.0
8			
9	1121A2	SPINDLE, KICK STARTER	0.7
	112103	SPRING, KICK STARTER RETURN ..	0.7

Ref. No.	Part No.	Description	Reqd. QTY	Serial No.	Parts catalogue code
			CBF 150M E		
1	23427-KRM-840	BUSH, 17X20.5X8.0	1		
2	28211-KVS-600	PINION, KICK STARTER(24T) ...	1		
3	28212-KVS-600	COLLAR, 18.5MM	1		
4	28215-KRM-840	PLATE, KICK STOPPER	1		
5	28221-KRM-840	RATCHET, STARTER	1		
6	28223-KRM-840	SPRING, RATCHET	1		
7	28231-KWF-900	GEAR, KICK STARTER IDLE(29T)	1		
8	28251-KWG-600	SPINDLE, KICK STARTER	1		
9	28261-KRM-840	SPRING, KICK RETURN	1		
10	28282-KRM-840	COLLAR, KICK SPRING	1		
11	90451-KRM-840	WASHER, THRUST, 16MM	2		
12	90452-GB4-770	WASHER, THRUST, 17MM	2		
13	90455-KRM-840	WASHER, SPECIAL, 14MM	1		
14	90602-KPT-900	CIRCLIP, EXTERNAL, 16MM	1		
	94510-16000	1		
15	90602-KRM-840	CIRCLIP, EXTERNAL, 17MM	1		
16	95701-06016-00	BOLT, FLANGE, 6X16	2		

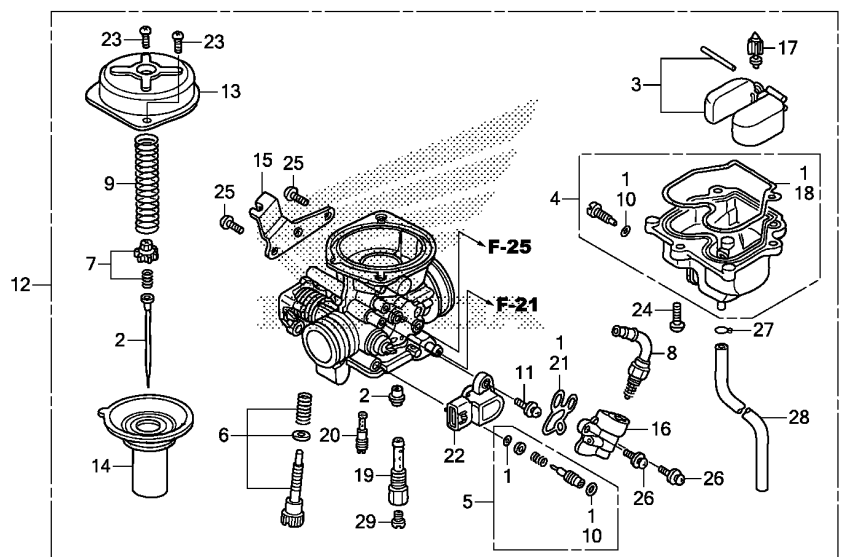


K215E2200

Ref. No.	L.O.N.	(Relative ref. Number) Description	F.R.T.
2	3111A3	NEEDLE, JET	0.6
3		(17)	
	311120	FLOAT OR FLOAT VALVE	0.5
4	3111A6	CHAMBER, FLOAT	0.4
8	311125	VALVE, STARTER	0.4
12	3111B5	CARBURETOR ASSEMBLY	0.5
14	311109	PISTON, VACUUM	0.4
22	617115	SENSOR, THROTTLE	0.2
29		(19,20)	
	3111D4	JET, MAIN	0.5

Ref. No.	Part No.	Description	Reqd. QTY	Serial No.	Parts catalogue code
			CBF 150M E		
1	16010-KSP-911	GASKET SET	1		
2	16012-K21-701	NEEDLE SET, JET	1		
3	16013-KRC-921	FLOAT SET	1		
4	16015-KSP-911	CHAMBER SET, FLOAT	1		
5	16016-K21-901	SCREW SET A	1		
6	16028-KPP-901	SCREW SET B	1		
7	16037-KPP-861	PLATE SET, VALVE	1		
8	16046-KVC-901	VALVE SET, STARTER	1		
9	16050-KVE-901	SPRING, COMPRESSION COIL	1		
10	16075-KRP-981	O-RING	2		
11	16080-KTN-901	SCREW-WASHER, TORX(5X16)	1		
12	16100-K21-701	CARBURETOR ASSY.(AVK6AY A) ..	1	----- LA	
	16100-K21-711	CARBURETOR ASSY.(AVK6AZ A) ..	1	----- MX	
13	16107-KGH-901	TOP	1		
14	16111-KSP-B01	PISTON COMP., VACUUM	1		
15	16119-KSP-911	STAY, WIRE	1		
16	16140-KTE-911	BODY COMP., BYSTARTER	1		
17	16155-KFR-701	VALVE COMP., FLOAT	1		
18	16163-KRP-981	GASKET, FLOAT CHAMBER	1		
19	16165-K21-901	HOLDER, NEEDLE JET	1		
20	16180-KGH-901	JET, SLOW, #35	1		
21	16423-KGH-901	GASKET, BYSTARTER	1		
22	37890-KTN-901	SENSOR ASSY., THROTTLE	1		
23	93500-04008-1H	SCREW, PAN, 4X8	2		
24	93500-04012-0H	SCREW, PAN, 4X12	3		





K215E2200

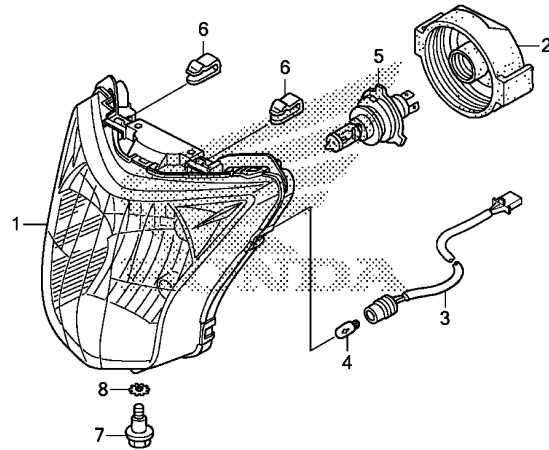
Ref. No.	Part No.	Description	Reqd. QTY	Serial No.	Parts catalogue code
			CBF 150M E		
25	93500-05012-1H	SCREW, PAN, 5X12	2		
26	93892-05012-18	SCREW-WASHER, 5X12	2		
27	95002-02089	CLIP, TUBE(B8)	1		
28	95005-45510-50	TUBE, 4.5X510	1		
29	99101-MAZ-1150	JET, MAIN, #115	1	-----	LA
	99101-KSP-1120	JET, MAIN, #112	1	-----	MX

2

F-1

HEADLIGHT

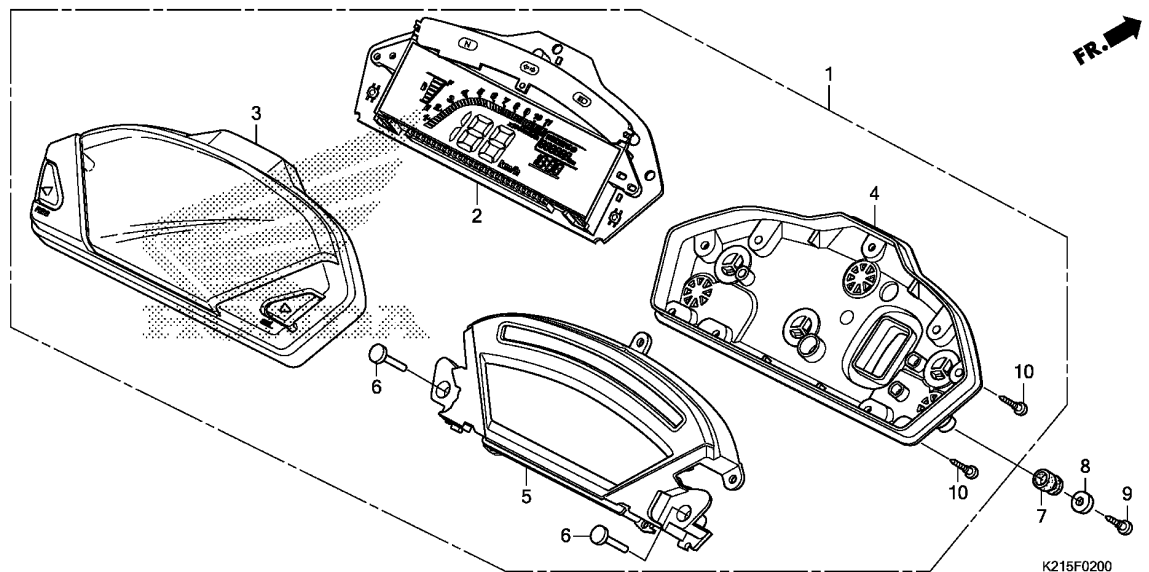
F 1



K215F0100

Ref. No.	L.O.N.	(Relative ref. Number) Description	F.R.T.
1	6161A7	HEADLIGHT UNIT	0.3
3	616180	SOCKET, POSITION LIGHT	0.2
4	616182	BULB, POSITION LIGHT	0.2
5		(2)	
	616118	BULB, HEADLIGHT	0.2

Ref. No.	Part No.	Description	Reqd. QTY	Serial No.	Parts catalogue code
			CBF 150M E		
1	33120-K21-910	HEADLIGHT UNIT	1		
2	33126-K21-901	COVER, RUBBER	1		
3	33150-K21-910	SOCKET COMP., POSITION LIGHT	1		
4	33301-KYJ-901	BULB, WEDGE BASE(T10 12V 5W)	1		
5	34901-KVN-971	BULB, HEADLIGHT(HS1) (12V 35/35W)(HALONIX)	1		
6	53209-GAH-000	CLIP, HEADLIGHT	2		
7	90101-GJ6-000	BOLT, ADJUSTING	1		
8	90307-K21-900	WASHER, LOCK, 6MM	1		



Ref. No.	L.O.N.	(Relative ref. Number) Description	F.R.T.
1	8121A1	METER ASSY., COMBINATION	0.3
2	8121A2	METER, COMBINATION	0.4
3	8121B4	CASE, METER :UPPER	0.3
4	8121B5	CASE, METER :LOWER	0.3
5	4131A3	PLATE, REFLECTING	0.3

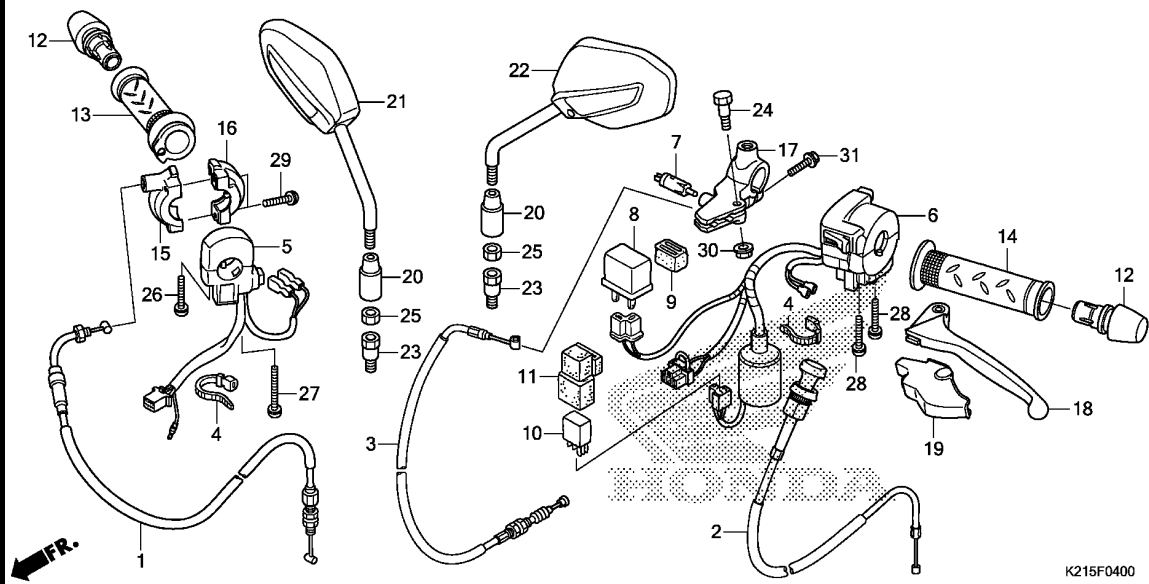
3

Ref. No.	Part No.	Description	Reqd. QTY	Serial No.	Parts catalogue code
			CBF 150M E		
1	37100-K21-901	METER ASSY., COMBINATION(KPH)	1		
2	37101-K21-901	METER COMP., LCD	1		
3	37102-K21-901	CASE COMP., UPPER	1		
4	37103-K21-901	CASE COMP., UNDER	1		
5	37104-K21-901	PLATE ASSY., REFLECTING	1		
6	37201-K21-901	ROD, SWITCH EXTENSION	2		
7	37244-KVK-900	RUBBER, METER MOUNTING	3		
8	90525-030-000	WASHER B, HANDLE HOLDER			
		SETTING	3		
9	93901-25220	SCREW, TAPPING, 5X12	3		
10	93903-24420	SCREW, TAPPING, 4X16	10		

F-4

HANDLE LEVER/SWITCH/CABLE/MIRROR

F 3



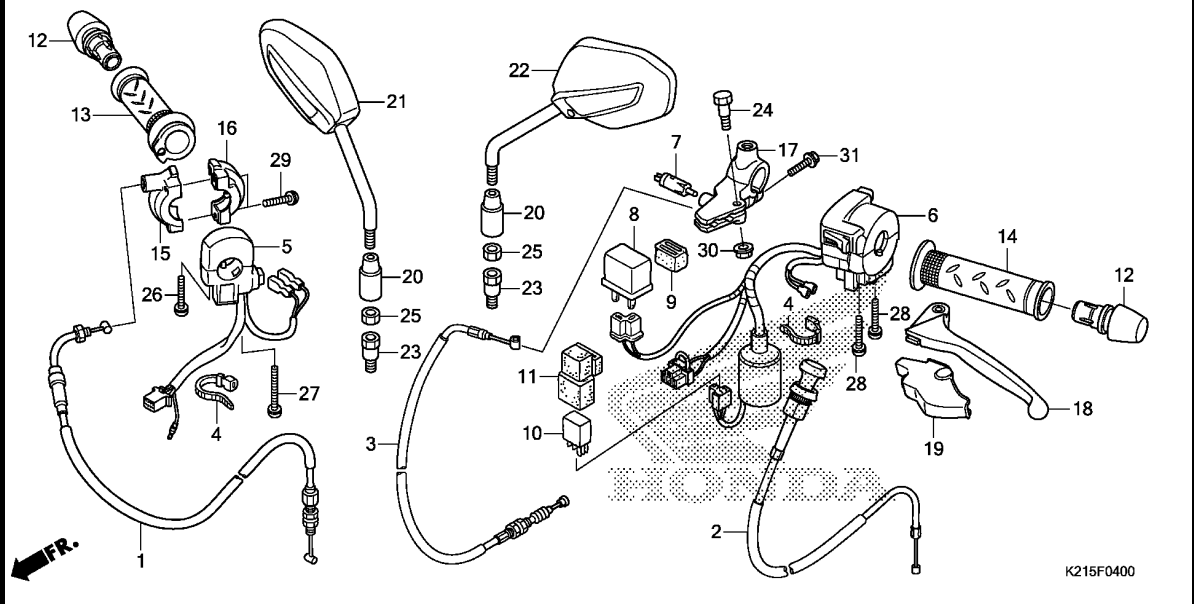
Ref. No.	L.O.N.	(Relative ref. Number) Description	F.R.T.
1	811100	CABLE, THROTTLE	0.5
2	811120	CABLE, CHOKE	0.6
3	811115	CABLE, CLUTCH	0.2
5	6151C1	SWITCH, LIGHTING	0.4
6	615118	SWITCH, WINKER	0.5
7	6151A9	SWITCH, CLUTCH	0.2
8	6111C3	RELAY, WINKER	0.2
10	6111M4	RELAY, PASSING	0.2
13	810150	GRIP, THROTTLE	0.1
14	8101C0	GRIP, HANDLE :LEFT	0.1
17	8101C8	BRACKET, HANDLE LEVER :LEFT ..	0.3
18	8101C6	LEVER, HANDLE :LEFT	0.1
	8101F5	LEVER, HANDLE :BOTH	0.2

Ref. No.	Part No.	Description	Reqd. QTY	Serial No.	Parts catalogue code
			CBF 150M E		
1	17910-K21-900	CABLE COMP., THROTTLE	1		
2	17950-K21-900	CABLE COMP., CHOKE	1		
3	22870-K21-900	CABLE COMP., CLUTCH	1		
4	32161-KSP-920	BAND B1, WIRE	2		
5	35150-K21-901	SWITCH ASSY., STARTER	1		
6	35200-K21-701	SWITCH ASSY., WINKER	1		
7	35330-KEJ-900	SWITCH COMP., FR. LEVER	1		
8	38301-K21-901	RELAY COMP., WINKER	1		
9	38306-KTE-910	SUSPENSION, WINKER RELAY	1		
10	38502-KSP-910	RELAY COMP., POWER (MICRO ISO 5P)	1		
11	38506-KSP-910	SUSPENSION, POWER RELAY	1		
12	53105-KRC-900	END, STEERING HANDLE	2		
13	53140-KSP-A70	GRIP COMP., THROTTLE	1		
14	53166-KSP-A70	GRIP, L. HANDLE	1		
15	53167-KWF-900	HOUSING, UPPER THROTTLE	1		
16	53168-KTE-910	HOUSING, UNDER THROTTLE	1		
17	53172-KTE-930	BRACKET, L. HANDLE LEVER	1		
18	53178-K21-900	LEVER COMP., L. HANDLE	1		
19	53179-KWF-950	COVER, L. HANDLE LEVER	1		
20	88114-198-D10	CAP, LOCK NUT	2		
21	88210-KWS-902	MIRROR COMP., R.	1		
22	88220-KWS-902	MIRROR COMP., L.	1		
23	90103-KTE-920	BOLT, ADAPTER, 10MM	2		
24	90114-310-000	BOLT, HANDLE LEVER PIVOT	1		



F-4

HANDLE LEVER/SWITCH/CABLE/MIRROR

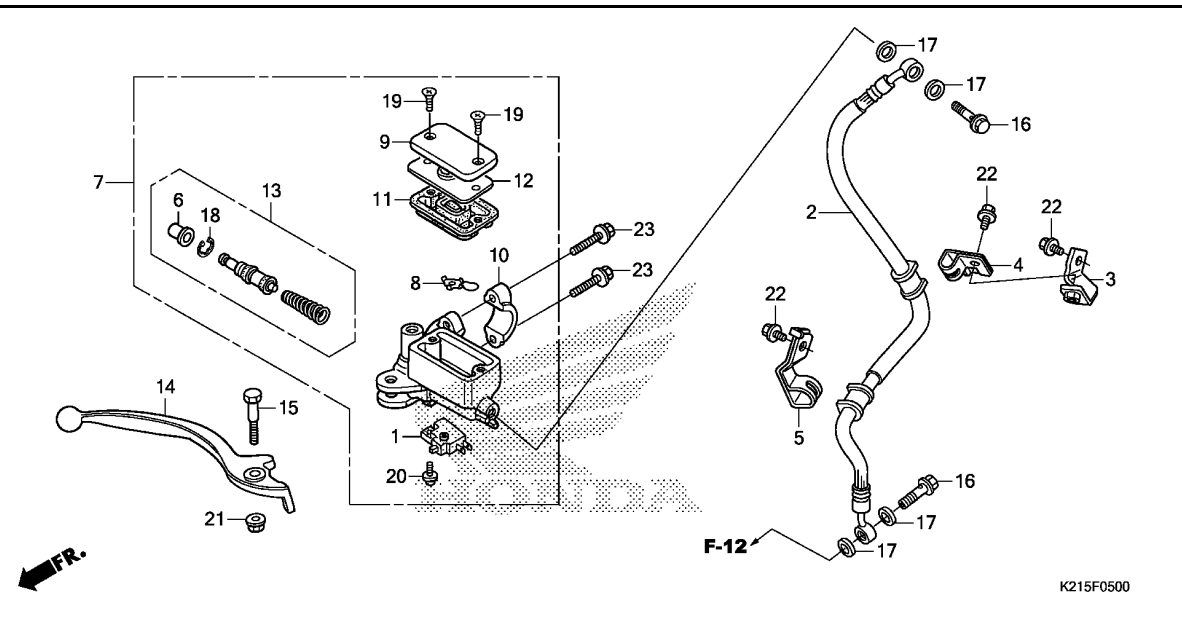


Ref. No.	Part No.	Description	Reqd. QTY	Serial No.	Parts catalogue code
----------	----------	-------------	-----------	------------	----------------------

25	90201-MW3-620	NUT, HEX., 10MM (LEFT HAND THREAD)	2		
26	93500-04032-0G	SCREW, PAN, 4X32	1		
27	93500-04045-0G	SCREW, PAN, 4X45	1		
28	93500-05020-0G	SCREW, PAN, 5X20	2		
29	93500-05022-0G	SCREW, PAN, 5X22	2		
30	94050-06000	NUT, FLANGE, 6MM	1		
31	96001-06025-00	BOLT, FLANGE, 6X25	1		

F-5

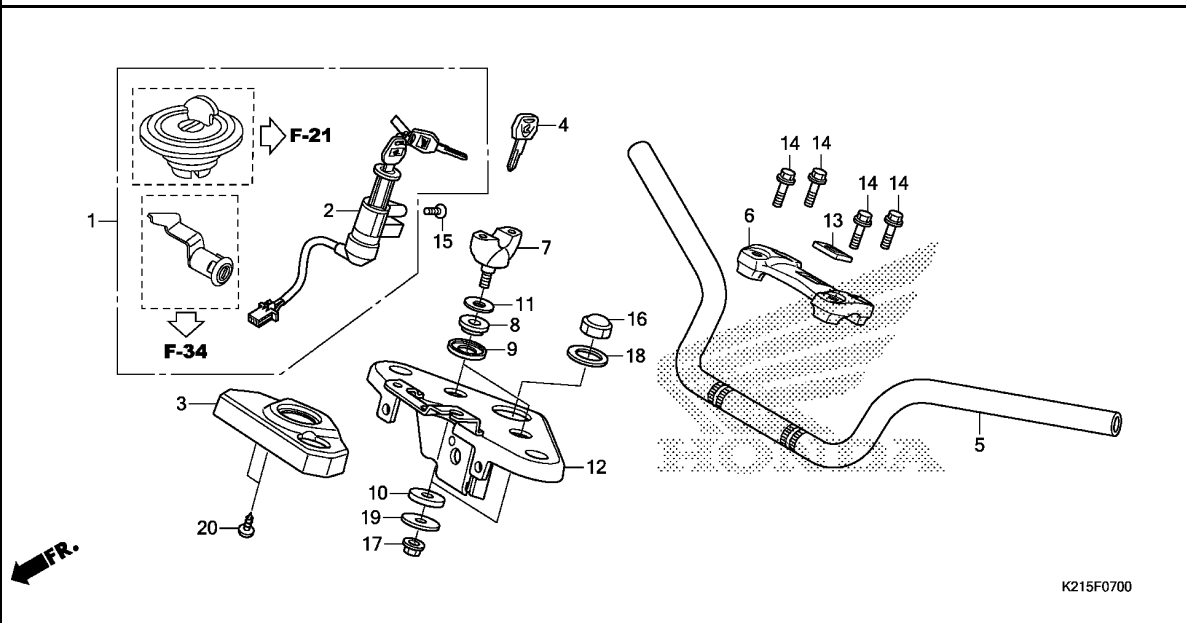
FRONT BRAKE MASTER CYLINDER



Ref. No.	L.O.N.	(Relative ref. Number) Description	F.R.T.
1	6151B2	SWITCH, FRONT STOP	0.1
2	7121A0	HOSE, FRONT BRAKE	0.4
		.INCLUDES: Bleed brakes	
7	712105	CYLINDER, FRONT BRAKE MASTER	0.4
		.INCLUDES: Bleed brakes	
11	7121G6	DIAPHRAGM, FRONT BRAKE MASTER	0.1
13	7121G9	PISTON SET, FRONT BRAKE MASTER	0.4
		.INCLUDES: Bleed brakes	
14	8101C7	LEVER, HANDLE :RIGHT	0.1
	8101F5	LEVER, HANDLE :BOTH	0.2

Ref. No.	Part No.	Description	Reqd. QTY	Serial No.	Parts catalogue code
			CBF 150M E		
1	35340-KSP-B51	SWITCH ASSY., FR. STOP	1		
2	45126-K21-901	HOSE COMP., FR. BRAKE	1		
3	45131-K21-900	STAY COMP., FR. BRAKE HOSE ..	1		
4	45155-K21-900	CLAMPER A, FR. BRAKE HOSE ...	1		
5	45156-K21-900	CLAMPER B, FR. BRAKE HOSE ...	1		
6	45504-410-003	BOOT COMP.	1		
7	45510-K21-901	CYLINDER SUB ASSY., FR. BRAKE MASTER(NISSIN)	1		
8	45512-MA6-006	PROTECTOR	1		
9	45513-HA2-006	CAP, MASTER CYLINDER	1		
10	45517-166-006	HOLDER, MASTER CYLINDER	1		
11	45520-GE2-006	DIAPHRAGM	1		
12	45521-K21-901	PLATE, DIAPHRAGM	1		
13	45530-471-831	CYLINDER SET, MASTER	1		
14	53175-KSP-B51	LEVER, R. STEERING HANDLE ...	1		
15	90114-166-006	BOLT, HANDLE LEVER PIVOT	1		
16	90145-GAZ-981	BOLT, OIL, 10X22	2		
17	90545-300-000	WASHER, OIL BOLT	4		
18	90651-MA5-671	CIRCLIP	1		
19	93600-04012-1G	SCREW, FLAT, 4X12	2		
20	93893-04012-17	SCREW-WASHER, 4X12	1		
21	94050-06000	NUT, FLANGE, 6MM	1		
22	96001-06012-00	BOLT, FLANGE, 6X12	3		
23	96001-06022-00	BOLT, FLANGE, 6X22	2		

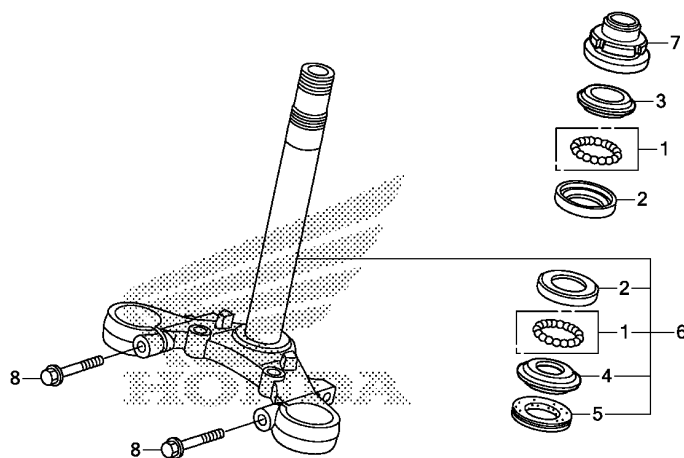




Ref. No.	L.O.N.	(Relative ref. Number) Description	F.R.T.
1	6151A1	KEY SET	1.2
2	615145	SWITCH, COMBINATION & LOCK ...	0.7
5	810100	PIPE, STEERING HANDLE	0.5
7	8101B9	HOLDER, HANDLE :LOWER	0.2
	8101B9A	.Replace 1 handle holder add .	0.1
12	510110	BRIDGE, FORK TOP	0.7



Ref. No.	Part No.	Description	Reqd. QTY	Serial No.	Parts catalogue code
			CBF 150M E		
1	35010-K21-900	KEY SET	1		
2	35100-KSP-B01	SWITCH ASSY., COMBINATION & LOCK	1		
3	35106-K21-900	COVER, COMBINATION SWITCH ...	1		
4	35121-KSP-910	KEY, BLANK	(1)		
5	53100-K21-900	PIPE, STEERING HANDLE	1		
6	53131-KSP-B00ZA	HOLDER, HANDLE UPPER *NH303M*	1		
7	53132-K21-900	HOLDER, HANDLE UNDER	2		
8	53133-KZA-W00	RUBBER, HANDLE CUSHION UPPER	2		
9	53134-KZA-W00	WASHER, HANDLE HOLDER	2		
10	53134-028-000	RUBBER, HANDLE CUSHION UNDER	2		
11	53136-KZA-W00	PLATE, HANDLE CUSHION	2		
12	53230-K21-900	BRIDGE COMP., FORK TOP	1		
13	86150-KWS-601	EMBLEM, PRODUCT(SJS)	1		
14	90111-362-000	BOLT, FLANGE, 8X36	4		
15	90164-KPL-900	SCREW, U-LOCK FLAT, 6X12	2		
16	90304-KSP-900	NUT, STEERING STEM	1		
17	90309-KTE-911	NUT, FLANGE SPECIAL, 8MM	2		
18	90503-KSP-900	WASHER, STEERING STEM	1		
19	90535-KSP-902	WASHER, HANDLE UNDER HOLDER .	2		
20	93903-25220	SCREW, TAPPING, 5X12	2		



K215F0900

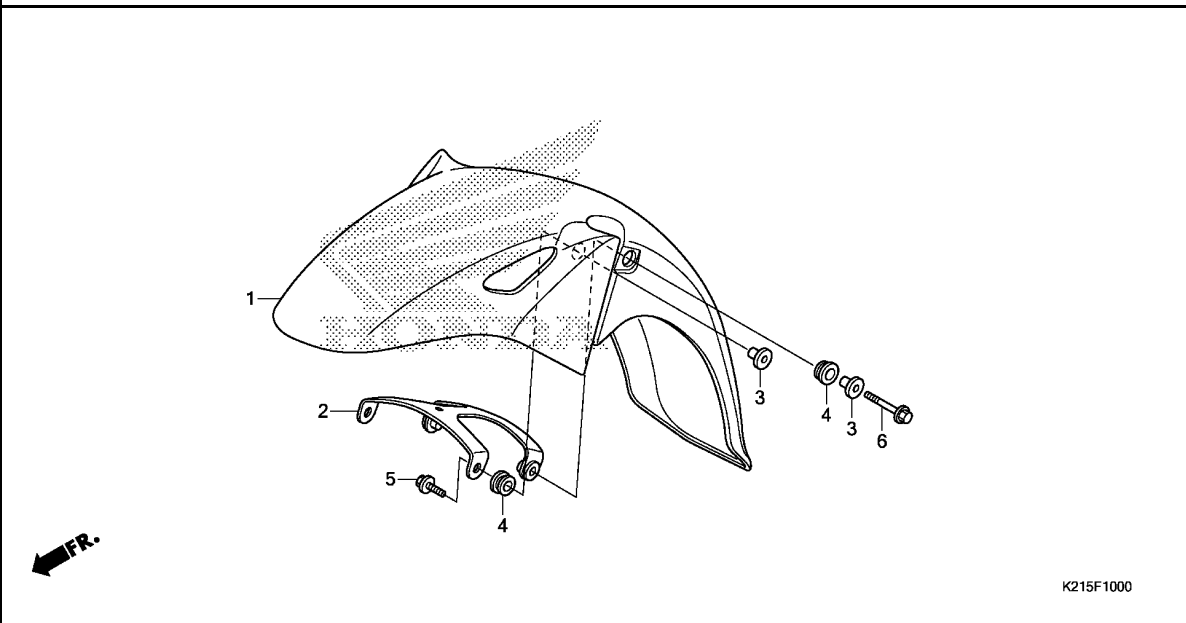
Ref. No.	L.O.N.	(Relative ref. Number) Description	F.R.T.
2		(1)	
	5101A0	RACE, STEERING BALL :UPPER ...	0.9
	5101A1	RACE, STEERING BALL :LOWER ...	0.9
	5101C9	RACE, STEERING BALL :BOTH	0.9
3	5101A9	RACE, STEERING TOP CONE	0.6
4		(1,5)	
	5101B0	RACE, STEERING BOTTOM CONE ...	1.1
6	510100	STEM OR SHAFT ASSY., STEERING	0.9
7	5101B2	THREAD, STEERING HEAD TOP	0.6

Ref. No.	Part No.	Description	Reqd. QTY	Serial No.	Parts catalogue code
			CBF 150M E		
1	06531-KW6-840	BALL ASSY., STEEL, #8X18	2		
2	50301-K21-900	RACE, STEERING BALL	2		
	50301-KTR-900	RACE, STEERING TOP BALL	2		
3	53211-268-010	RACE, STEERING TOP CONE	1		
	53211-K21-900	1		
4	53212-200-000	RACE, STEERING BOTTOM CONE ..	1		
	53212-K21-900	1		
5	53214-200-000	DUST SEAL, STEERING HEAD	1		
6	53219-K21-900	STEM SUB ASSY., STEERING	1		
7	53220-KSP-900	THREAD COMP., STEERING HEAD	1		
		TOP	1		
8	95701-08035-07	BOLT, FLANGE, 8X35	2		

F-10

FRONT FENDER

F 8

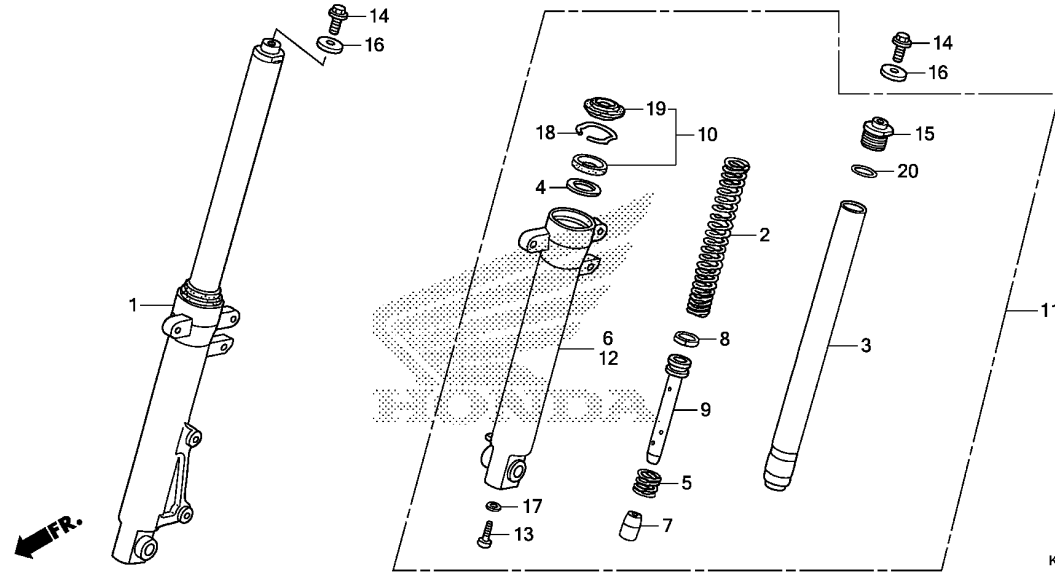


Ref. No.	L.O.N. (Relative ref. Number)	Description	F.R.T.
1	4131B7	FENDER, FRONT	0.3

K215F1000

3

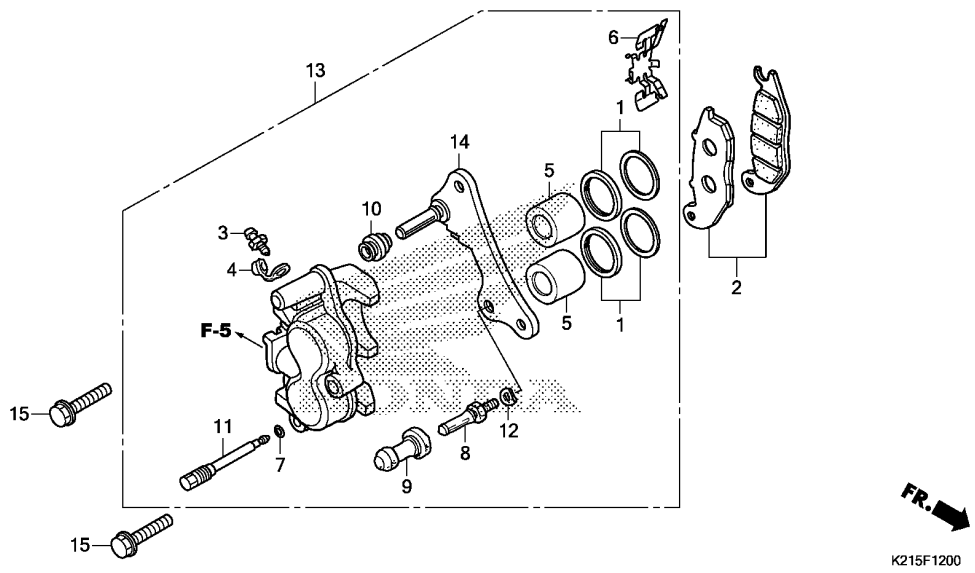
Ref. No.	Part No.	Description	Reqd. QTY	Serial No.	Parts catalogue code
			CBF 150M E		
1	61100-K21-900ZA	FENDER, FR.			
		R320P.....PEARL SIENA RED	1		
	61100-K21-900ZC	*NH1*.....BLACK	1		
	61100-K21-900ZF	*PB393M*.....NEON BLUE METALLIC	1		
2	61101-K21-900	STAY, FR. FENDER	1		
3	61103-KRY-900	COLLAR A, FR. FENDER	4		
4	61105-KRY-900	RUBBER, FR. FENDER MOUNTING	4		
5	96001-06022-00	BOLT, FLANGE, 6X22	2		
6	96001-06032-00	BOLT, FLANGE, 6X32	2		



Ref. No.	L.O.N.	(Relative ref. Number) Description	F.R.T.
1	5111C3	FORK ASSY., FRONT :RIGHT	0.4
2	5111C5	SPRING, FRONT FORK :LEFT	0.6
	5111C6	SPRING, FRONT FORK :RIGHT	0.6
	5111C7	SPRING, FRONT FORK :BOTH	0.9
3		(5,7,8,9)	
	5111G2	PIPE, FRONT FORK :LEFT	0.7
	5111G3	PIPE, FRONT FORK :RIGHT	0.7
	5111G4	PIPE, FRONT FORK :BOTH	1.1
6	5111D2	CASE, BOTTOM :RIGHT	0.8
10	5111E7	SEAL SET, FRONT FORK :LEFT ...	0.8
	5111E8	SEAL SET, FRONT FORK :RIGHT ..	0.8
	5111E9	SEAL SET, FRONT FORK :BOTH ...	1.3
11	5111C2	FORK ASSY., FRONT :LEFT	0.4
	5111C4	FORK ASSY., FRONT :BOTH	0.5
12	5111D1	CASE, BOTTOM :LEFT	0.8
	5111D3	CASE, BOTTOM :BOTH	1.3

K215F1100

Ref. No.	Part No.	Description	Reqd. QTY	Serial No.	Parts catalogue code
			CBF 150M E		
1	51400-K21-901	FORK ASSY., R. FR.(SHOWA) ...	1		
2	51401-K21-901	SPRING, FR. FORK	2		
3	51410-K21-901	PIPE COMP., FR. FORK	2		
4	51412-KFN-851	RING, BACK UP	2		
5	51412-KSP-901	SPRING, REBOUND	2		
6	51420-K21-901	CASE COMP., R. FR. BOTTOM ...	1		
7	51432-KFN-851	PIECE, OIL LOCK	2		
8	51437-KVN-901	RING, PISTON	2		
9	51440-KSP-901	PIPE, SEAT	2		
10	51490-KRM-852	SEAL SET, FR. FORK	2		
11	51500-K21-901	FORK ASSY., L. FR.(SHOWA) ...	1		
12	51520-K21-901	CASE COMP., L. FR. BOTTOM ...	1		
13	90116-KAG-901	BOLT, SOCKET, 8MM(SHOWA)	2		
14	90123-KRM-860	BOLT, FR. FORK	2		
15	90123-KSP-901	BOLT A, FR. FORK	2		
16	90521-KSP-900	WASHER, 10.3MM	2		
17	90544-KFN-851	WASHER, SPECIAL, 8MM	2		
18	90601-KFN-851	RING, OIL SEAL STOPPER	2		
19	91254-GAA-003	SEAL, DUST	2		
20	91356-KAG-901	O-RING(SHOWA)	2		



Ref. No.	L.O.N.	(Relative ref. Number) Description	F.R.T.
2	711115	SHOE(PAD) SET, BRAKE :FRONT .. (1)	0.1
5	7111D1	PISTON, FRONT BRAKE CALIPER .. .INCLUDES: Bleed brakes .NOTE: Same time for two units	0.5
13	711130	CALIPER, FRONT BRAKEINCLUDES: Bleed brakes	0.4
14	7111G0	BRACKET, FRONT CALIPER	0.2

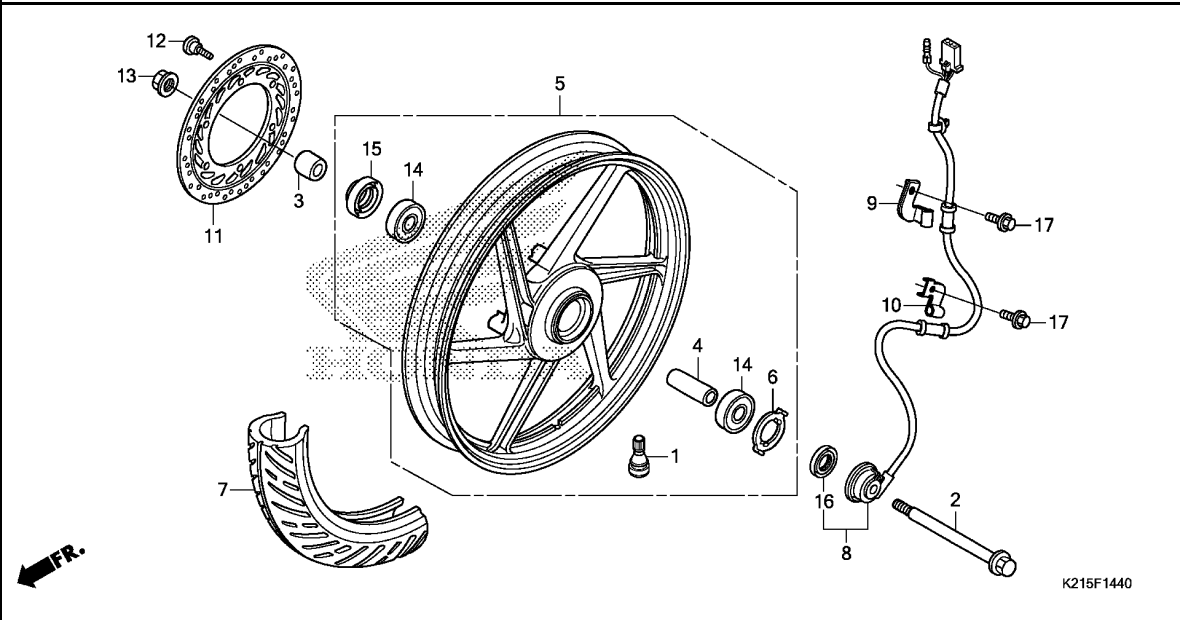
3

Ref. No.	Part No.	Description	Reqd. QTY	Serial No.	Parts catalogue code
			CBF 150M E		
1	06451-GE2-405	SEAL SET, PISTON	2		
2	06455-KPP-N01	PAD SET, FR.	1		
3	43352-568-003	SCREW, BLEEDER(NISSIN)	1		
4	43353-461-771	CAP, BLEEDER	1		
5	45107-GE2-006	PISTON	2		
6	45108-KPH-951	SPRING, PAD	1		
7	45111-MAJ-G41	RING, STOPPER	1		
8	45131-GZ0-006	BOLT, PIN	1		
9	45132-166-016	BOOT, PIN BUSH(NISSIN)	1		
10	45133-MA3-006	BOOT B	1		
11	45215-KPH-951	PIN, HANGER	1		
12	45216-166-006	WASHER, WAVE	1		
13	45250-KYE-901	CALIPER SUB ASSY., R. FR. (NISSIN)	1		
14	45290-KPP-901	BRACKET SUB ASSY., R. FR.	1		
15	90155-KSP-900	BOLT, FLANGE, 8X25	2		

F-14-40

FRONT WHEEL

F11



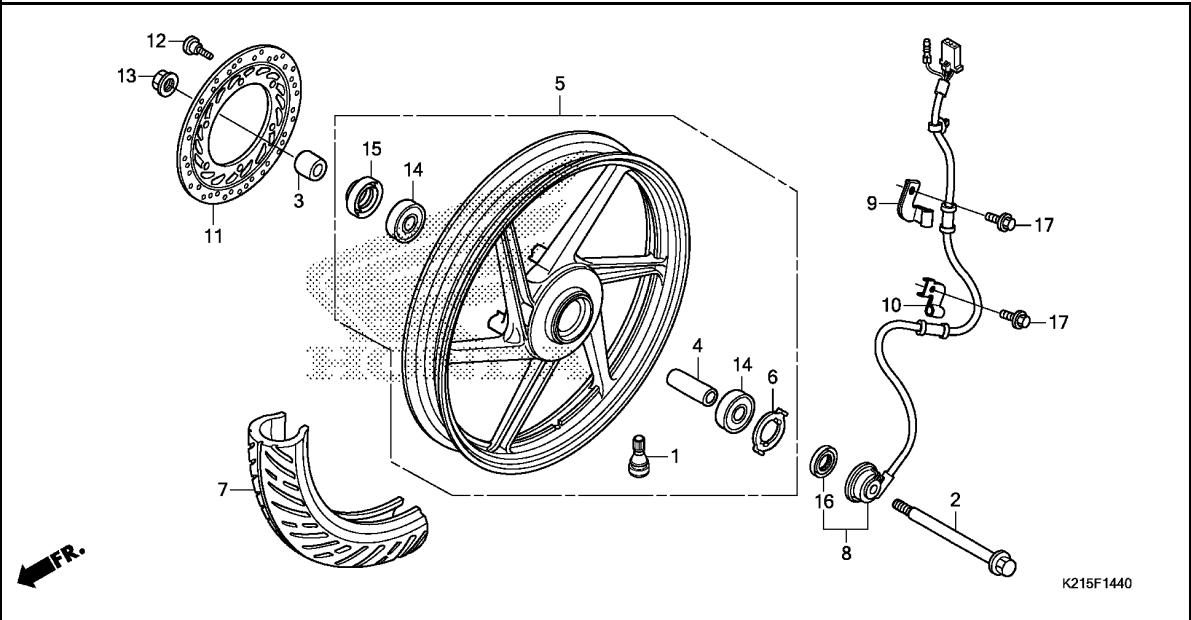
Ref. No.	L.O.N.	(Relative ref. Number) Description	F.R.T.
2		(15,16)	
2	710151	AXLE, FRONT WHEEL	0.2
5	7101D4	FRONT WHEEL	0.6
7	710139	FRONT TIRE(ONE)	0.5
8	617198	SENSOR, SPEEDOMETER	0.4
11	711120	DISC, FRONT BRAKE	0.3
14	710115	BEARING, FRONT WHEEL(ONE)	0.4
	710115G	.Replace 1 bearing add	0.1

Ref. No.	Part No.	Description	Reqd. QTY	Serial No.	Parts catalogue code
			CBF 150M E		
1	42753-KWF-901	VALVE, RIM(TRITON)	1		
2	44301-KSP-900	AXLE, FR. WHEEL	1		
3	44311-KSP-900	COLLAR, FR. WHEEL SIDE	1		
4	44620-KSP-900	COLLAR, FR. AXLE DISTANCE ...	1		
5	44650-K21-900ZA	WHEEL SUB ASSY., FR. *NH303M*	1		
		MAT AXIS GRAY METALLIC	1		
6	44680-KSP-B00	RETAINER, GEAR BOX	1		
7	44711-KSP-B01	TIRE, FR.(MRF)(80/100-17 46P)	1		
8	44800-K21-901	SENSOR ASSY., SPEED	1		
9	44817-K21-900	CLAMPER A, SPEEDOMETER CORD -	1		
10	44818-K21-900	CLAMPER B, SPEEDOMETER CORD -	1		
11	45251-K21-901	DISK, FR. BRAKE(YUTAKA)	1		
	45251-KSP-861	1		
	45251-KVC-A51	DISK, FR. BRAKE(ZHEJIANG) ...	1		
12	90105-KSP-870	BOLT, DISK, 8X24	6		
13	90306-KST-942	NUT, FLANGE, 12MM	1		
	90306-KTE-911	(LEO FASTENERS) NUT, FLANGE SPECIAL, 12MM	1		
		(SIMMONDS MARSHALL)	1		
14	91051-K15-901	BEARING, RADIAL BALL, 6301UU	2		
		(SKF)	2		
	91051-K21-901	BEARING, RADIAL BALL, 6301UU	2		
		(JTEKT)	2		
	91051-K21-902	BEARING, RADIAL BALL, 6301UU	2		
		(FAG)	2		

F-14-40

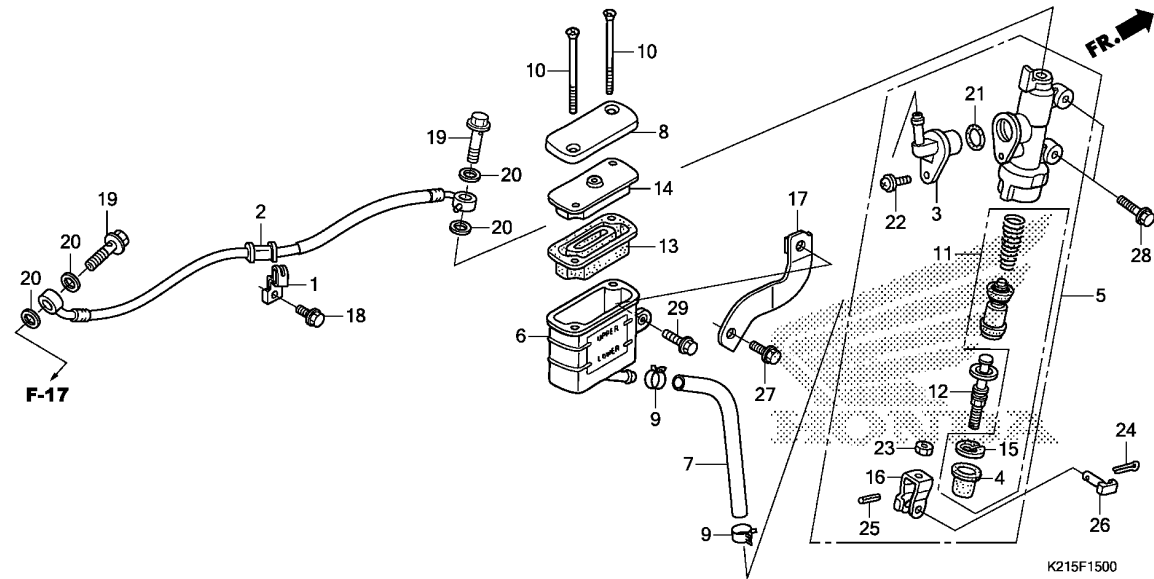
FRONT WHEEL

F12



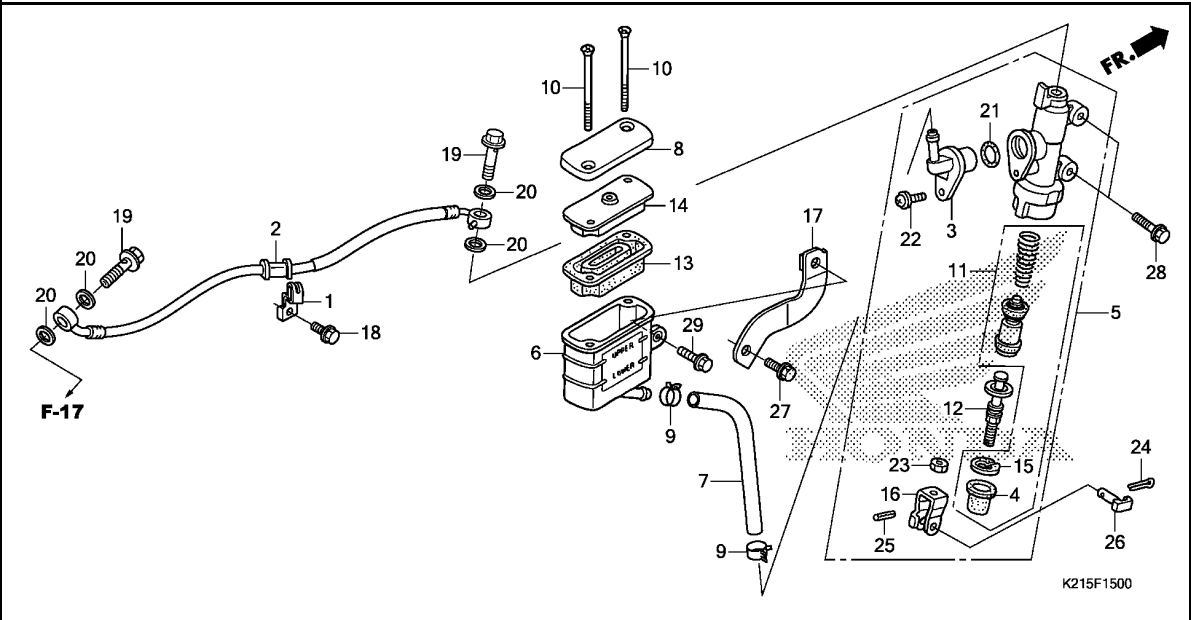
Ref. No.	Part No.	Description	Reqd. QTY		Serial No.	Parts catalogue code
			CBF	E		
14)	91051-K21-903	BEARING, RADIAL BALL, 6301UU (NEI)	2			
	91053-KWF-931	BEARING, RADIAL BALL, 6301UU (NSK)	2			
15	91251-KPH-901	DUST SEAL, 21X37X7 (ARAI)	1			
16	91258-KWC-901	DUST SEAL, 40X50X5	1			
17	96001-06012-00	BOLT, FLANGE, 6X12	2			

3



Ref. No.	L.O.N.	(Relative ref. Number) Description	F.R.T.
2	712130	HOSE, REAR BRAKEINCLUDES: Bleed brakes	0.5
5	712125	CYLINDER, REAR BRAKE MASTER .. .INCLUDES: Bleed brakes	0.6
6	7121F6	CUP, REAR MASTER CYLINDER OIL .INCLUDES: Bleed brakes	0.3
7	7121C2	HOSE, REAR MASTER CYLINDER OIL CUPINCLUDES: Bleed brakes	0.4
11	7121H0	PISTON SET, REAR BRAKE MASTER .INCLUDES: Bleed brakes	0.6
13	7121G7	DIAPHRAGM, REAR BRAKE MASTER CYLINDER	0.1

Ref. No.	Part No.	Description	Reqd. QTY	Serial No.	Parts catalogue code
			CBF 150M E		
1	43156-K21-910	CLAMPER, RR. BRAKE HOSE	1		
2	43310-K21-911	HOSE COMP., RR. BRAKE	1		
3	43503-MER-D01	CONNECTOR, MASTER CYLINDER ..	1		
4	43504-MB2-006	BOOT COMP.	1		
5	43510-K15-901	CYLINDER SUB ASSY., RR. BRAKE MASTER(NISSIN)	1		
6	43511-KW7-881	CUP COMP., OIL(NISSIN)	1		
7	43512-K21-911	HOSE, RR. MASTER CYLINDER ...	1		
8	43513-KBP-881	CAP, MASTER CYLINDER	1		
9	43514-KS6-701	CLAMP, MASTER CYLINDER OIL			
		HOSE	2		
10	43516-K21-911	SCREW, FLAT, 4X45	2		
11	43520-MJ6-315	PISTON SET, MASTER CYLINDER (NISSIN)	1		
12	43530-MV9-006	ROD COMP., PUSH	1		
13	45520-GW0-911	DIAPHRAGM	1		
14	45521-GW0-911	PLATE, DIAPHRAGM	1		
15	46182-MEL-D21	CIRCLIP	1		
16	46504-KV6-702	JOINT, BRAKE ROD	1		
17	50163-K21-910	STAY, OIL CUP	1		
18	90102-KGH-900	BOLT, FLANGE, 6X10	1		
19	90145-GAZ-981	BOLT, OIL, 10X22	2		
20	90545-300-000	WASHER, OIL BOLT	4		
21	91212-422-006	O-RING, 14.8X2.4	1		
22	93893-04012-17	SCREW-WASHER, 4X12	1		

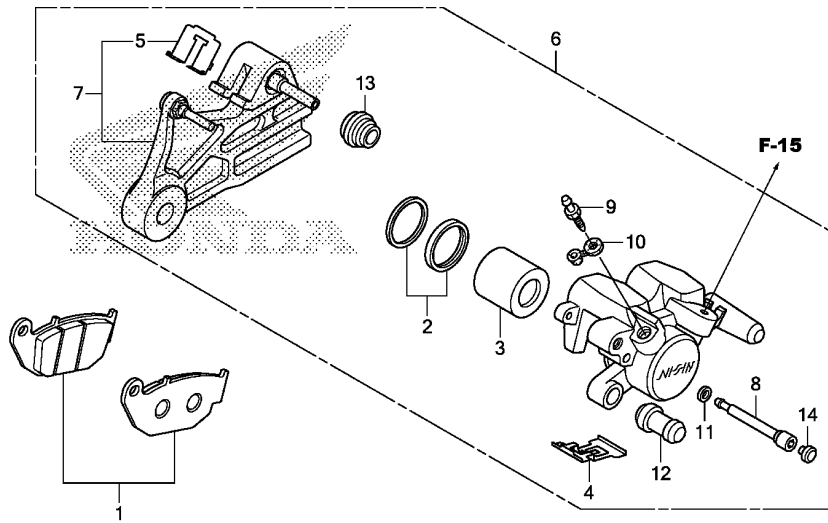


Ref. No.	Part No.	Description	Reqd. QTY		Serial No.	Parts catalogue code
			CBF	150M		
				E		
23	94002-08000-0S	NUT, HEX., 8MM	1			
24	94201-20150	PIN, SPLIT, 2.0X15	1			
25	94305-20102	PIN, SPRING, 2X10	1			
26	95015-54000	PIN D, JOINT	1			
27	95701-06012-07	BOLT, FLANGE, 6X12	1			
28	95701-06022-08	BOLT, FLANGE, 6X22	2			
29	96001-06012-00	BOLT, FLANGE, 6X12	1			

F-17

REAR BRAKE CALIPER

F15



K215F1700

Ref. No.	L.O.N.	(Relative ref. Number) Description	F.R.T.
1	711140	SHOE(PAD) SET, BRAKE :REAR ... (2)	0.1
3	7111D5	PISTON, REAR BRAKE CALIPERINCLUDES: Bleed brakes	0.6
6	711155	CALIPER, REAR BRAKEINCLUDES: Bleed brakes	0.5
7	7111C1	BRACKET, REAR CALIPER	0.4

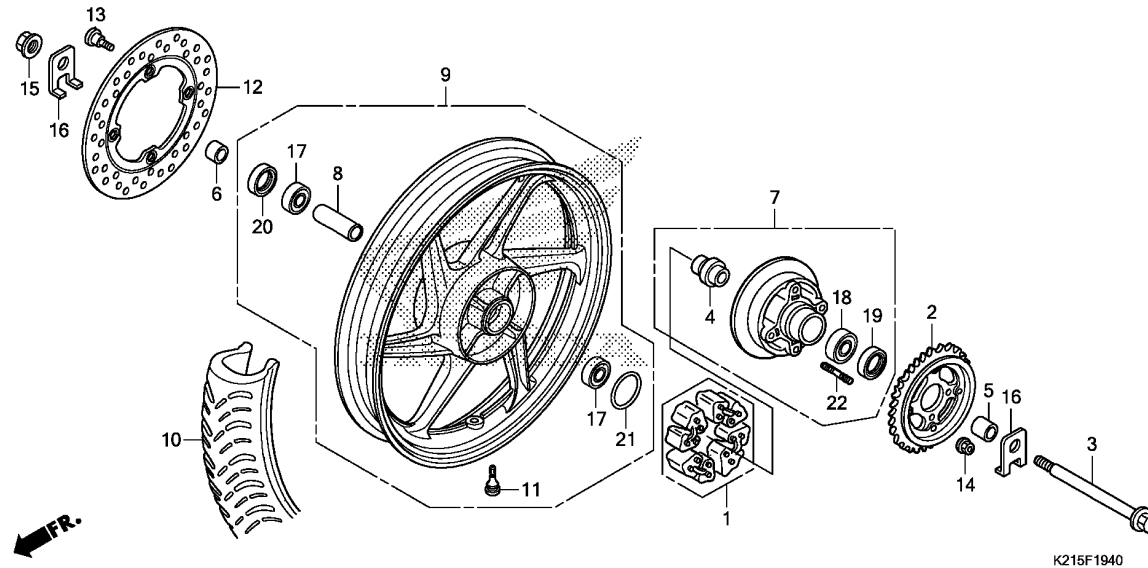
Ref. No.	Part No.	Description	Reqd. QTY	Serial No.	Parts catalogue code
			CBF 150M E		
1	06435-KSP-B01	PAD SET, RR.	1		
2	06451-MA7-405	SEAL SET, PISTON	1		
3	43107-MA7-006	PISTON	1		
4	43108-KSP-B51	SPRING, PAD(NISSIN)	1		
5	43112-KSP-B01	RETAINER	1		
6	43150-KYE-902	CALIPER SUB ASSY., RR.(NISSIN)	1		
7	43190-KSP-B01	BRACKET SUB ASSY., RR.	1		
8	43215-KGH-901	PIN, HANGER	1		
9	43352-568-003	SCREW, BLEEDER(NISSIN)	1		
10	43353-461-771	CAP, BLEEDER	1		
11	45111-MAJ-G41	RING, STOPPER	1		
12	45132-166-016	BOOT, PIN BUSH(NISSIN)	1		
13	45133-MA3-006	BOOT B	1		
14	45203-MCC-006	PLUG, PIN	1		

3

F-19-40

REAR WHEEL

F16



Ref. No.	L.O.N.	(Relative ref. Number) Description	F.R.T.
1		(21)	
1	710157	DAMPER, REAR WHEEL	0.3
2	7101A0	SPROCKET, FINAL DRIVEN	0.4
3		(19,20)	
3	710160	AXLE, REAR WHEEL	0.3
7	7101A4	FLANGE, FINAL DRIVEN	0.4
9	710118	REAR WHEEL	0.7
10	710142	REAR TIRE(ONE)	0.6
12	711145	DISC, REAR BRAKE	0.4
17	710133	BEARING, REAR WHEEL(ONE)	0.5
	710133G	.Replace 1 bearing add	0.1
18	7101D1	BEARING, FINAL DRIVEN FLANGE	0.5

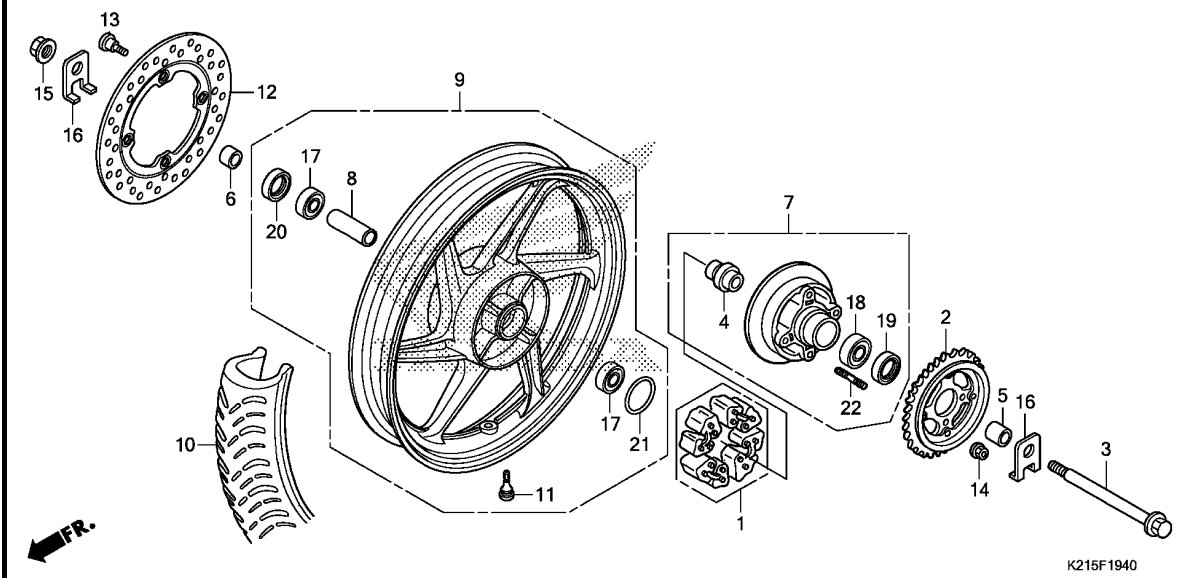
Ref. No.	Part No.	Description	Reqd. QTY	Serial No.	Parts catalogue code
			CBF 150M E		
1	06410-KSP-900	DAMPER SET, WHEEL	1		
2	41200-K21-900	SPROCKET COMP., FINAL DRIVEN (42T)	1		
3	42301-K21-900	AXLE, RR. WHEEL	1		
4	42303-K18-900	SLEEVE, RR. WHEEL	1		
5	42304-KSP-B00	COLLAR, RR. WHEEL SIDE	1		
6	42313-KSP-B00	COLLAR, RR. BRAKE SIDE	1		
7	42615-K21-900ZA	FLANGE SUB ASSY., FINAL DRIVEN *NH303M*	1		
8	42620-KSP-B00	MAT AXIS GRAY METALLIC COLLAR, RR. AXLE DISTANCE ...	1		
9	42650-K21-910ZA	WHEEL SUB ASSY., RR. *NH303M*	1		
10	42711-KSP-B01	MAT AXIS GRAY METALLIC TIRE, RR.(MRF)(110/80-17 57P)	1		
11	42753-KWF-901	VALVE, RIM(TRITON)	1		
12	43251-K21-911	DISK, RR. BRAKE(YUTAKA)	1		
	43251-K21-912	DISK, RR. BRAKE(LONGZHONG) ..	1		
	43251-KSP-B01ZA	DISK, RR. BRAKE(YUTAKA) *TYPEA*	1		
13	90105-KSP-870	BOLT, DISK, 8X24	4		
14	90304-KST-942	NUT, FLANGE, 10MM (LEO FASTENERS)	4		
	90304-KTE-911	NUT, FLANGE SPECIAL, 10MM (SIMMODS MARSHALL)	4		
15	90305-KVN-901	NUT, FLANGE, 14MM (SIMMONDS MARSHALL)	1		

3

F-19-40

REAR WHEEL

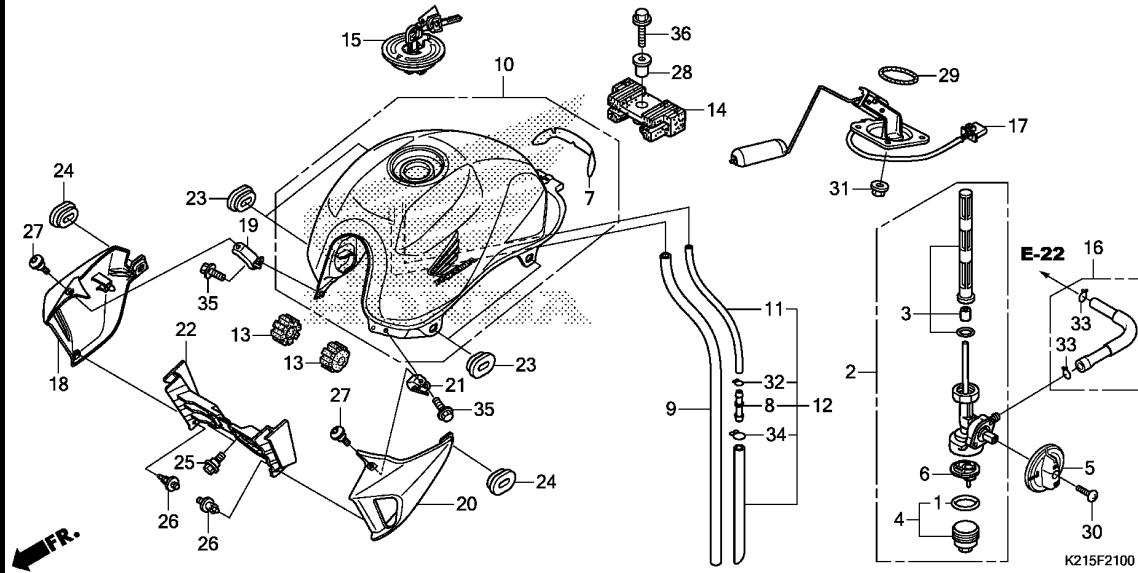
G 1



K215F1940

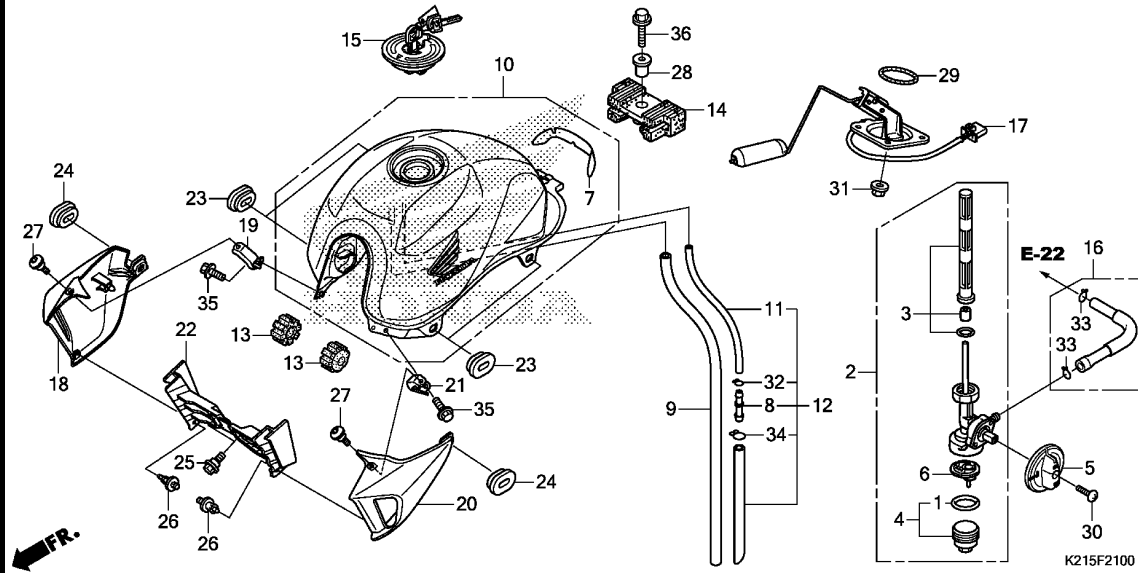
Ref. No.	Part No.	Description	Reqd. QTY	Serial No.	Parts catalogue code
			CBF 150M E		
15)	90305-KVN-902	NUT, FLANGE, 14MM (LEO FASTENERS)	1		
16	90560-K21-900	WASHER, RR. AXLE	2		
17	91052-K15-901	BEARING, RADIAL BALL, 6302UU (SKF)	2		
	91052-K21-901	BEARING, RADIAL BALL, 6302UU (NEI)	2		
18	91053-K21-901	BEARING, RADIAL BALL, 6004UU (NEI)	1		
19	91257-230-003	OIL SEAL, 28X42X7 (ARAI)	1		
	91257-230-005	OIL SEAL, 28X42X7 (NOK)	1		
20	91257-230-003	OIL SEAL, 28X42X7 (ARAI)	1		
	91257-230-005	OIL SEAL, 28X42X7 (NOK)	1		
21	91352-KSP-900	O-RING, 51X2	1		
22	92915-10025-0E	BOLT, STUD, 10X25	4		

3



Ref. No.	L.O.N.	(Relative ref. Number) Description	F.R.T.
2	310110	COCK ASSY., FUEL	0.4
3	310115	SCREEN, FUEL STRAINER	0.4
10	310100	TANK, FUEL	0.4
17		(29)	
	617105	FUEL TANK SENDING UNIT	0.4
18	1151A0	SHROUD, RADIATOR :RIGHT	0.1
20	115126	SHROUD, RADIATOR :LEFT	0.1
	1151A5	SHROUD, RADIATOR :BOTH	0.2
22	4131GN	SHROUD, CENTER	0.2

Ref. No.	Part No.	Description	Reqd. QTY	Serial No.	Parts catalogue code
			CBF 150M E		
1	16173-001-004	PACKING, FUEL STRAINER CUP ..	1		
2	16950-K21-900	COCK ASSY., FUEL	1		
3	16952-K21-900	SCREEN SET, FUEL STRAINER ...	1		
4	16953-GT4-305	CUP SET, FUEL STRAINER	1		
5	16955-KWF-900	LEVER, FUEL COCK	1		
6	16959-HB3-005	FILTER, CUP	1		
7	17519-K21-900	FILM, TANK PROTECTOR	1		
8	17525-KVE-900	JOINT, TUBE	1		
9	17525-K21-900	TUBE, FUEL DRAIN	1		
10	17530-K21-900ZA	TANK SUB ASSY., FUEL(WL)			
	R320PPEARL SIENA RED	1		
	17530-K21-900ZC	*NH1*.....BLACK	1		
	17530-K21-900ZF	*PB393M*...NEON BLUE METALLIC	1		
11	17531-K21-900	TUBE, BREATHER	1		
12	17535-K21-900	TUBE ASSY., BREATHER	1		
13	17611-KRY-970	CUSHION, FR. FUEL TANK	2		
14	17613-KSP-B00	CUSHION, FUEL TANK RR.	1		
15	17620-KWF-901	CAP COMP., FUEL FILLER	1		
16	17681-K21-900	TUBE, FUEL	1		
17	37800-K21-901	FUEL UNIT ASSY.	1		
18	50260-K21-900ZA	SHROUD, R.			
	R320PPEARL SIENA RED	1		
	50260-K21-900ZC	*NH1*.....BLACK	1		
	50260-K21-900ZF	*PB393M*...NEON BLUE METALLIC	1		
19	50261-K21-900	STAY, R. SHROUD	1		

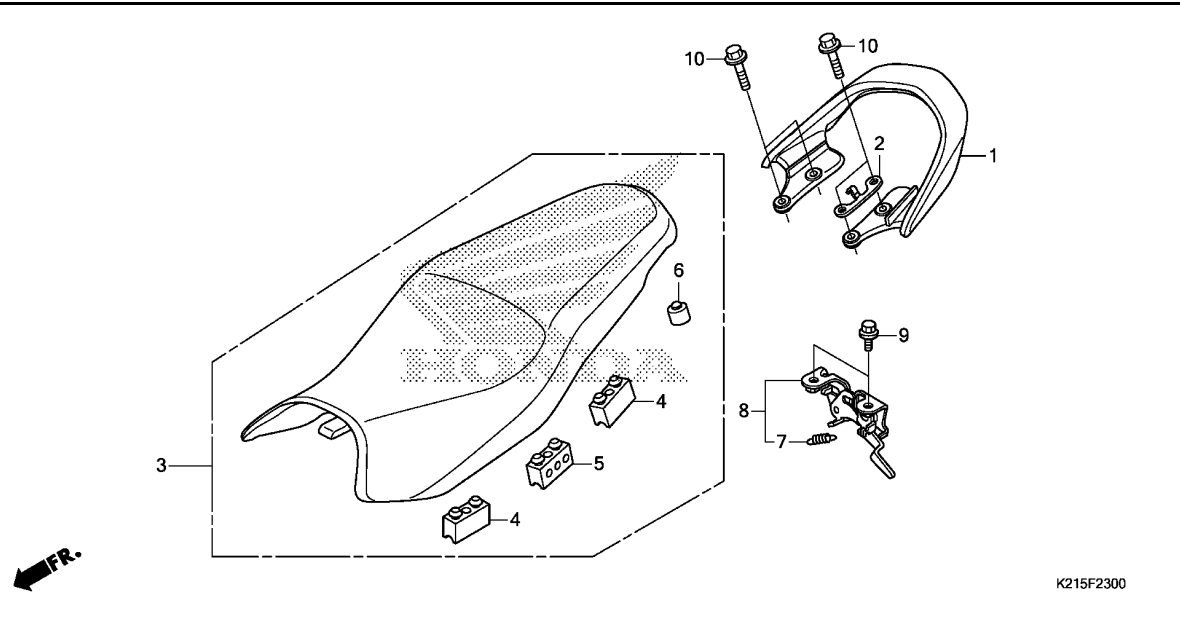


Ref. No.	Part No.	Description	Reqd. QTY	Serial No.	Parts catalogue code
			CBF 150M E		
20	50265-K21-900ZA	SHROUD, L. *R320P*.....PEARL SIENA RED	1		
	50265-K21-900ZC	*NH1*.....BLACK	1		
	50265-K21-900ZF	*PB393M*.....NEON BLUE METALLIC	1		
21	50266-K21-900	STAY, L. SHROUD	1		
22	50295-K21-900	SHROUD, CENTER	1		
23	83551-GE2-000	GROMMET, AIR CLEANER CASE	4		
24	83551-300-000	GROMMET, AIR CLEANER CASE	2		
25	90111-162-000	BOLT, FLANGE, 6MM	2		
26	90116-SP0-003	CLIP, BUMPER SEAL	2		
27	90134-KPP-T00	SCREW, PAN, 5X14	2		
28	90324-KCJ-660	COLLAR, FUEL TANK MOUNTING	1		
29	91351-K21-900	O-RING, 39.5X5	1		
30	93500-04012-0G	SCREW, PAN, 4X12	1		
31	94050-06000	NUT, FLANGE, 6MM	4		
32	95002-02080	CLIP, TUBE(B8)	1		
33	95002-02100	CLIP, TUBE(B10)	2		
34	95002-02130	CLIP, TUBE(B12.5)	1		
35	95701-06012-08	BOLT, FLANGE, 6X12	2		
36	95701-08025-08	BOLT, FLANGE, 8X25	1		

F-23

SEAT

G 4



Ref. No.	L.O.N.	(Relative ref. Number) Description	F.R.T.
1	4131F6	RAIL, GRAB :REAR	0.1
8	4131F0	LOCK, SEAT	0.5

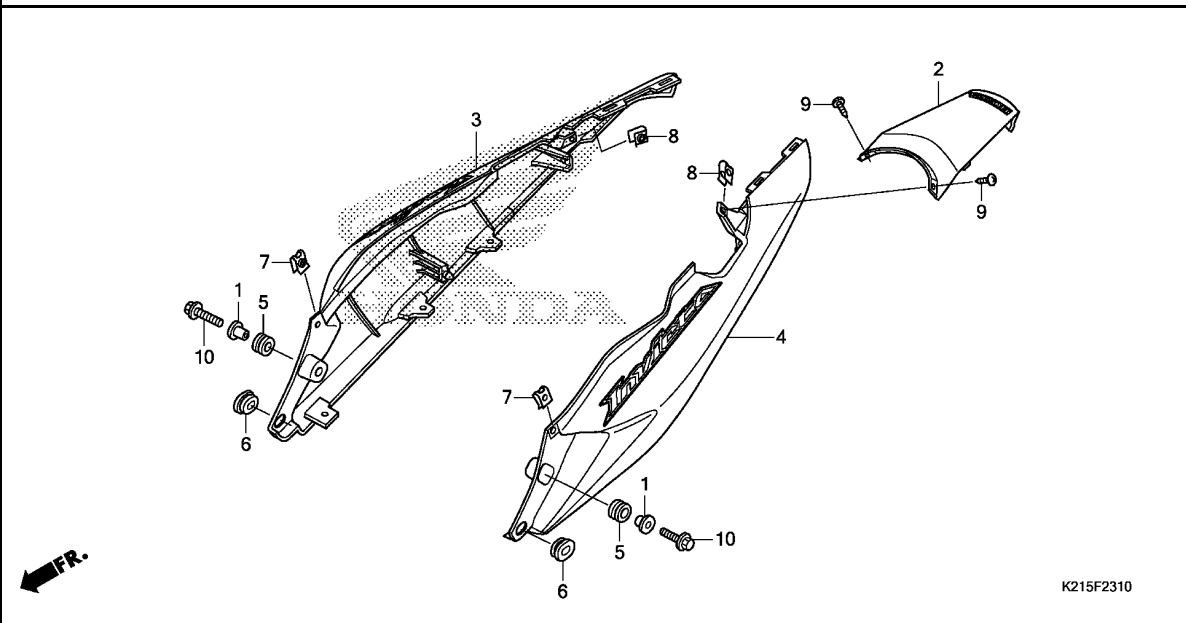
3

Ref. No.	Part No.	Description	Reqd. QTY	Serial No.	Parts catalogue code
1	50400-K21-900ZA	GRIP, RR. *NH303M*			
		MAT AXIS GRAY METALLIC	1		
2	77106-K21-900	STAY, HELMET HOLDER	1		
3	77200-K21-900ZA	SEAT COMP., DOUBLE *TYPE1*	1		
4	77204-KCC-900	RUBBER A, SEAT SETTING	4		
5	77204-KYA-600	RUBBER A, SEAT SETTING	2		
6	77206-KPP-T00	RUBBER, SEAT CUSHION	2		
7	77234-GN2-000	SPRING, SEAT LOCK	1		
8	77250-K21-900	LOCK COMP., SEAT	1		
9	95701-06012-00	BOLT, FLANGE, 6X12	2		
10	95701-08025-00	BOLT, FLANGE, 8X25	4		

F-23-10

SIDE COWL

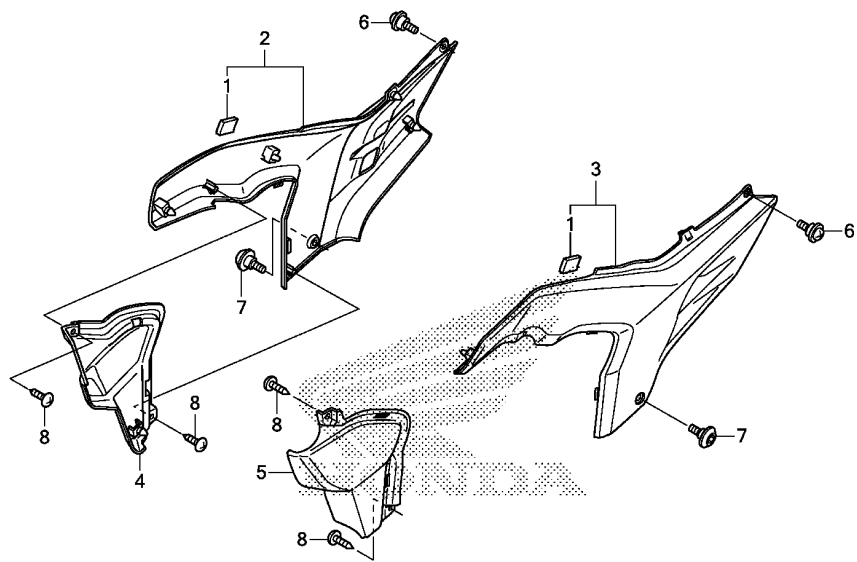
G 5



Ref. No.	L.O.N.	(Relative ref. Number) Description	F.R.T.
2	4111M5	COWL, SEAT :CENTER	0.5
3	4111X7	COWL, REAR :RIGHT	0.5
4	4111X6	COWL, REAR :LEFT	0.5
	4111X8	COWL, REAR :BOTH	0.5

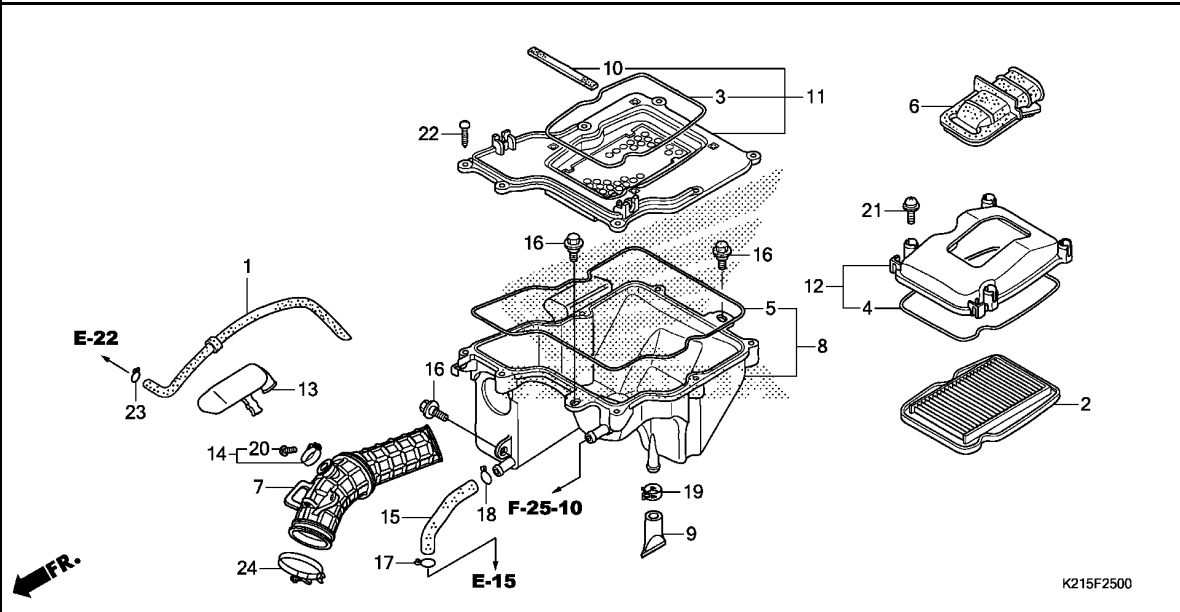
Ref. No.	Part No.	Description	Reqd. QTY	Serial No.	Parts catalogue code
			CBF 150M E		
1	19052-KV0-000	COLLAR, RADIATOR MOUNTING ...	2		
2	77235-K21-900ZB	COWL SET, RR. CENTER(WL)			
	77235-K21-900ZC	*TYPE4*.....	1		
	77235-K21-900ZE	*TYPE1*.....	1		
3	77260-K21-700ZA	COWL SET, R. SIDE(WL)			
	77260-K21-700ZB	*TYPE2*.....	1		
	77260-K21-700ZC	*TYPE1*.....	1		
4	77270-K21-700ZA	COWL SET, L. SIDE(WL)			
	77270-K21-700ZB	*TYPE2*.....	1		
	77270-K21-700ZC	*TYPE1*.....	1		
5	83545-KCJ-690	RUBBER, SIDE COVER	2		
6	83551-GE2-000	GROMMET, AIR CLEANER CASE ...	2		
7	90320-KTE-600	NUT, SPRING, 5MM	2		
8	90344-KTE-910	NUT, CLIP, 4MM	2		
9	93903-24380	SCREW, TAPPING, 4X12	2		
10	95701-06020-00	BOLT, FLANGE, 6X20	2		

3



Ref. No.	L.O.N.	(Relative ref. Number) Description	F.R.T.
2	(4)	COVER, SIDE :RIGHT	0.1
3	(5)	COVER, SIDE :LEFT	0.1
		COVER, SIDE :BOTH	0.2

Ref. No.	Part No.	Description	Reqd. QTY	Serial No.	Parts catalogue code
			CBF 150M E		
1	77231-KVE-900	CUSHION A, COWL CENTER	2		
2	83540-K21-900ZA	COVER A, R. SIDE			
		NH303M			
		MAT AXIS GRAY METALLIC	1		
3	83545-K21-900ZA	COVER A, L. SIDE			
		NH303M			
		MAT AXIS GRAY METALLIC	1		
4	83550-K21-900	COVER B, R. SIDE	1		
5	83555-K21-900	COVER B, L. SIDE	1		
6	90101-GEO-000	SCREW, HINGE PATCH	2		
7	90134-KPP-T00	SCREW, PAN, 5X14	2		
8	93903-25280	SCREW, TAPPING, 5X12	4		



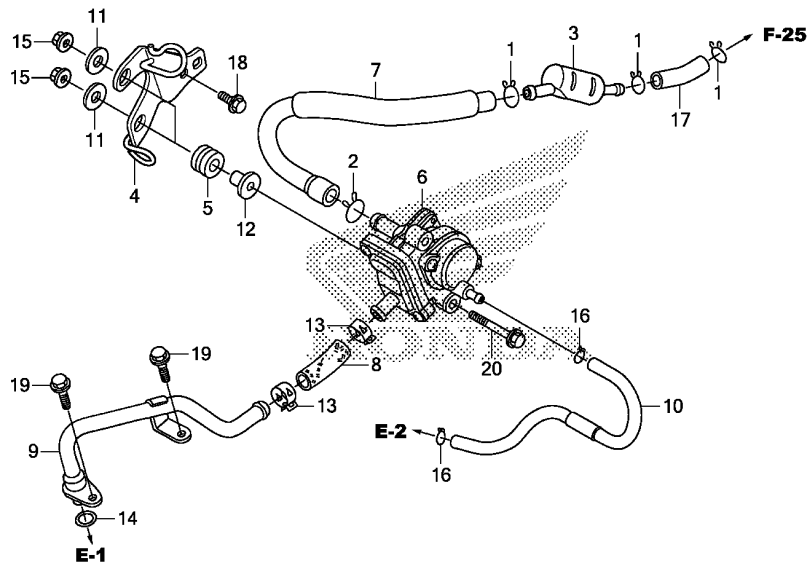
Ref. No.	L.O.N.	(Relative ref. Number) Description	F.R.T.
2		(3,4)	
2	312105	ELEMENT, AIR CLEANER	0.1
7	3121B6	TUBE, AIR CLEANER CONNECTING ..	1.2
8	3121D1	CASE, AIR CLEANER :LOWER	1.2
11	3121D0	CASE, AIR CLEANER :MIDDLE	1.2
13	3121C1	RESONATOR	0.2

Ref. No.	Part No.	Description	Reqd. QTY	Serial No.	Parts catalogue code
			CBF 150M E		
1	16199-KSP-900	TUBE, AIR VENT	1		
2	17211-KSP-B00	ELEMENT COMP., AIR CLEANER ..	1		
3	17214-KSP-900	SEAL, AIR CLEANER COVER	1		
4	17214-KSP-900	SEAL, AIR CLEANER COVER	1		
5	17215-KSP-900	SEAL A, AIR CLEANER	1		
6	17219-KSP-900	DUCT, AIR CLEANER	1		
7	17222-K21-900	TUBE, AIR CLEANER CONNECTING ..	1		
8	17225-KSP-B00	CASE SUB ASSY., AIR CLEANER ..	1		
9	17227-KTE-910	TUBE, VINYL, 11X15X40	1		
10	17233-KSP-900	MAT, AIR CLEANER	1		
11	17235-KSP-900	HOLDER SUB ASSY., AIR CLEANER ..	1		
12	17245-KSP-900	COVER SUB ASSY., AIR CLEANER ..	1		
13	17311-KSP-900	RESONATOR	1		
14	17312-KFN-880	BAND, RESONATOR	1		
15	17371-KSP-900	TUBE, BREATHER	1		
16	90111-162-000	BOLT, FLANGE, 6MM	3		
17	90651-KM9-000	CLIP, TUBE(B14)	1		
18	90651-MK3-780	CLIP, TUBE(B12.5)	1		
19	91406-KFN-850	CLAMP, TUBE(D14.5)	1		
20	93500-04016-0G	SCREW, PAN, 4X16	1		
21	93893-05016-00	SCREW-WASHER, 5X16	4		
22	93903-25480	SCREW, TAPPING, 5X20	7		
23	95002-70000	CLIP, TUBE(C11)	1		
24	95018-54250	BAND, AIR CLEANER CONNECTING TUBE(54)	1		

F-25-10

AIR SUCTION VALVE

G 8

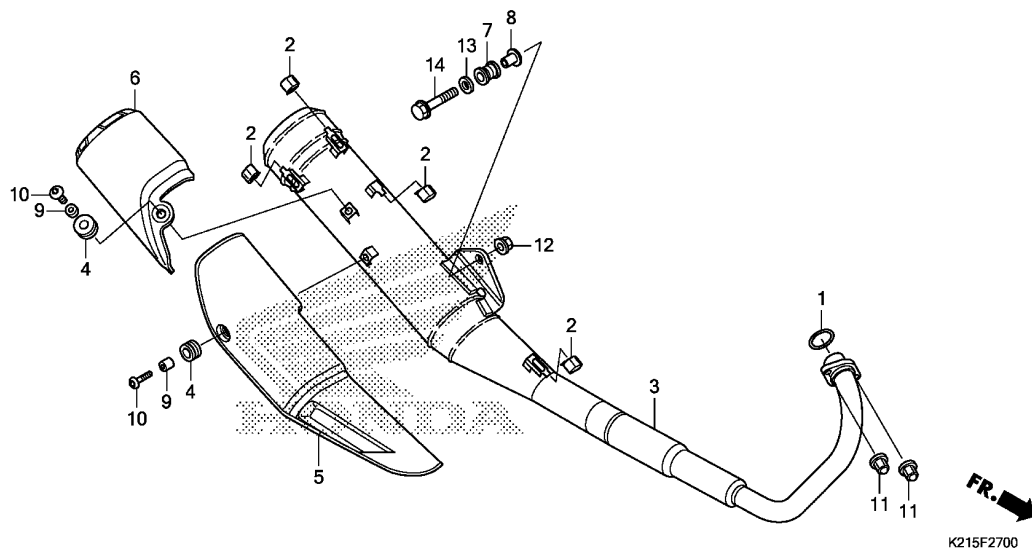


Ref. No.	L.O.N.	(Relative ref. Number) Description	F.R.T.
3	3141C1	JOINT, SECONDARY AIR TUBE	0.2
6	314130	VALVE, SECONDARY AIR CONTROL .	0.3
9	3111D1	PIPE, SECONDARY AIR	0.2

K215F2510

Ref. No.	Part No.	Description	Reqd. QTY	Serial No.	Parts catalogue code
			CBF 150M E		
1	15772-500-013	CLIP, BREATHER TUBE	3		
2	17316-611-000	CLIP, BREATHER TUBE	1		
3	17360-KSP-900	RESONATOR, AIR SUCTION VALVE	1		
4	17365-K21-900	PLATE, AIR SUCTION VALVE	1		
5	17622-GB7-900	RUBBER, CUSHION	2		
6	18600-KSP-901	VALVE ASSY., AIR SUCTION	1		
7	18601-KSP-900	TUBE A, AIR SUCTION VALVE ...	1		
8	18602-KSP-900	TUBE B, AIR SUCTION VALVE ...	1		
9	18640-KSP-B00	PIPE COMP., AIR FEED	1		
10	18655-KSP-901	TUBE, AIR SUCTION VALVE(PB) -	1		
11	90417-KSP-900	WASHER, AIR SUCTION VALVE ...	2		
12	90502-KEZ-900	COLLAR, CUSHION RUBBER	2		
13	90678-MR1-690	CLIP, HOSE	2		
14	91309-MJO-003	O-RING, 9.8X2.8(ARAI)	1		
15	94050-06000	NUT, FLANGE, 6MM	2		
16	95002-02070	CLIP, TUBE(B7)	2		
17	95005-80055-20	TUBE, 8X55(95005-80001-20M) .	1		
18	95701-06012-07	BOLT, FLANGE, 6X12	1		
19	95701-06016-00	BOLT, FLANGE, 6X16	2		
20	95701-06035-00	BOLT, FLANGE, 6X35	2		

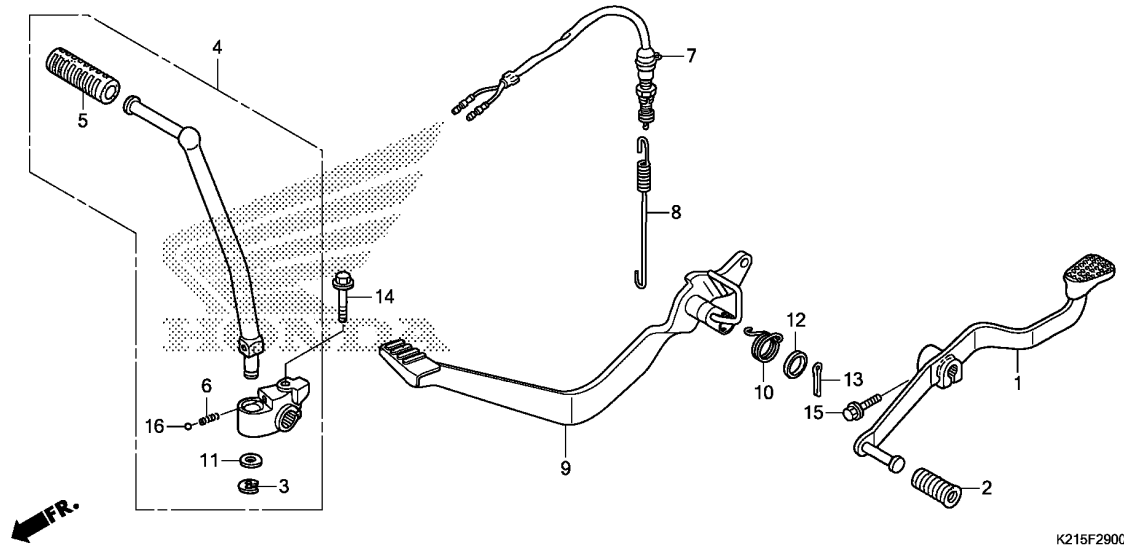
3



Ref. No.	L.O.N.	(Relative ref. Number) Description	F.R.T.
1	3131B4	GASKET, EXHAUST PIPE	0.2
3	313120	MUFFLER	0.3
5	3131F3	COVER, MUFFLER :UPPER	0.1
6	3131D3	COVER, MUFFLER :REAR	0.1

Ref. No.	Part No.	Description	Reqd. QTY	Serial No.	Parts catalogue code
			CBF 150M E		
1	18291-KSP-901	GASKET, EX. PIPE	1		
2	18293-MCA-A20	RUBBER, PROTECTOR PACKING ...	4		
3	18300-K21-900	MUFFLER COMP., EX.	1		
4	18345-MBT-610	RUBBER, PROTECTOR MOUNTING ..	2		
5	18355-K21-900	COVER A, MUFFLER	1		
6	18356-K21-900	COVER B, MUFFLER	1		
7	18421-438-670	RUBBER, MUFFLER MOUNTING	1		
8	18442-KRC-900	COLLAR, MUFFLER MOUNTING	1		
9	33619-459-840	COLLAR, WINKER STAY	2		
10	90106-MCE-000	SCREW, PAN, 6X12	2		
11	90305-KSP-900	NUT, EXHAUST PIPE, 8MM	2		
12	94050-10000	NUT, FLANGE, 10MM	1		
13	94103-10000	WASHER, PLAIN, 10MM	1		
14	95801-10055-00	BOLT, FLANGE, 10X55	1		

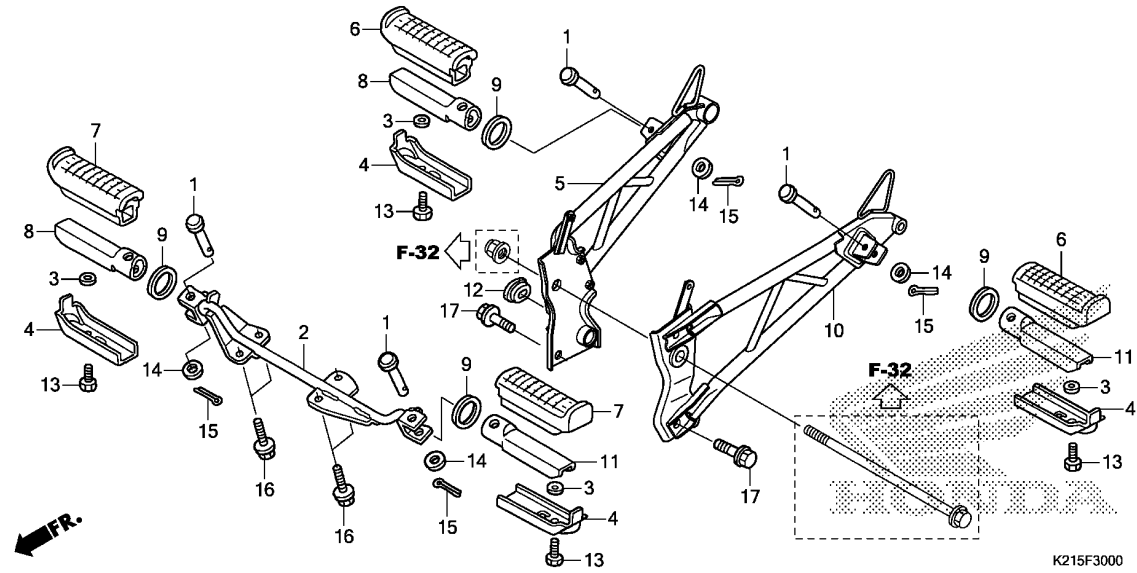




Ref. No.	L.O.N.	(Relative ref. Number) Description	F.R.T.
1	4101A1	PEDAL, GEAR CHANGE	0.1
4	112107	ARM, KICK STARTER	0.1
7	6151B5	SWITCH, REAR STOP :PEDAL SIDE	0.3
9	810160	PEDAL, REAR BRAKE	0.6

3

Ref. No.	Part No.	Description	Reqd. QTY	Serial No.	Parts catalogue code
			CBF 150M E		
1	24701-KSP-900	PEDAL, GEAR CHANGE	1		
2	24781-KSP-860	RUBBER, CHANGE PEDAL	1		
3	28293-333-000	CLIP, KICK STARTER ARM	1		
4	28300-KSP-A70	ARM ASSY., KICK STARTER	1		
5	28311-KC5-000	RUBBER, KICK STARTER	1		
6	28333-KK0-000	SPRING, KICK STARTER	1		
7	35350-KYJ-611	SWITCH ASSY., RR. STOP	1		
8	35357-KSP-900	SPRING, STOP SWITCH	1		
9	46500-K21-910	PEDAL COMP., RR. BRAKE	1		
10	46514-K21-910	SPRING, BRAKE PEDAL	1		
11	90505-KRM-860	WASHER, 15.5X22	1		
12	90521-028-000	WASHER, 17X22	1		
13	94201-30300	PIN, SPLIT, 3.0X30	1		
14	95701-08035-00	BOLT, FLANGE, 8X35	1		
15	96001-06020-00	BOLT, FLANGE, 6X20	1		
16	96211-08000	BALL, STEEL, #8(1/4)	1		



Ref. No.	L.O.N.	(Relative ref. Number) Description	F.R.T.
2	410145	BAR, STEP	0.4
5	4101D0	BRACKET, PILLION STEP :RIGHT ..	0.7
8	4101C6	BAR, MAIN STEP :RIGHT	0.1
	4101C8	BAR, PILLION STEP :RIGHT	0.1
10	4101C9	BRACKET, PILLION STEP :LEFT ..	0.4
	4101K4	BRACKET, PILLION STEP :BOTH ..	1.1
11	4101C5	BAR, MAIN STEP :LEFT	0.1
	4101J1	BAR, MAIN STEP :BOTH	0.2
	4101C7	BAR, PILLION STEP :LEFT	0.1
	4101P4	BAR, PILLION STEP :BOTH	0.2

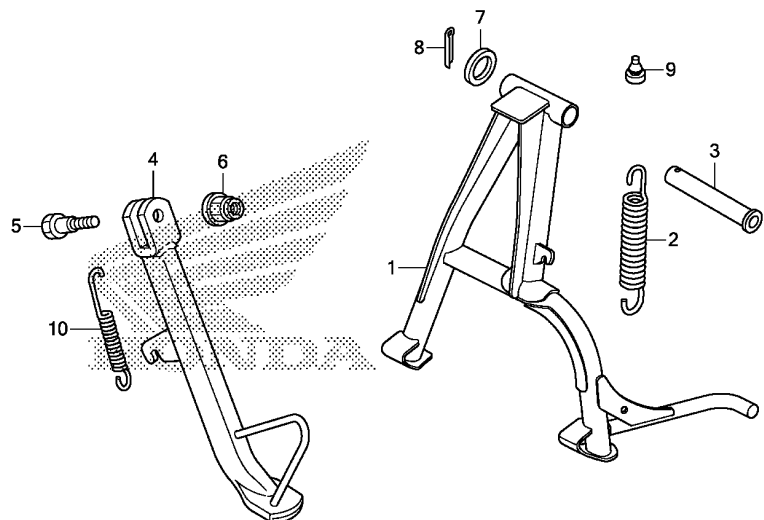
Ref. No.	Part No.	Description	Reqd. QTY	Serial No.	Parts catalogue code
			CBF 150M E		
1	50602-KSP-900	PIN, MAIN STEP BAR JOINT	4		
2	50610-K21-900	BAR COMP., STEP	1		
3	50618-KE8-000	COLLAR, 6.5X11X3	4		
4	50619-KSP-900	PLATE, STEP LOWER	4		
5	50640-K21-910	HOLDER, R. STEP	1		
6	50661-KFN-850	RUBBER, MAIN STEP	2		
		(PILLION)			
7	50661-KFN-880	RUBBER, MAIN STEP	2		
8	50701-KSP-900	BAR, R. MAIN STEP	2		
9	50715-KSP-910	PLATE, PILLION STEP SIDE	4		
10	50740-K21-900	HOLDER, L. STEP	1		
11	50801-KSP-900	BAR, L. MAIN STEP	2		
12	83551-300-000	GROMMET, AIR CLEANER CASE	1		
13	92101-06012-0G	BOLT, HEX., 6X12	4		
14	94102-08000	WASHER, PLAIN, 8MM	4		
15	94201-20150	PIN, SPLIT, 2.0X15	4		
16	95701-08020-00	BOLT, FLANGE, 8X20	4		
17	95701-10016-00	BOLT, FLANGE, 10X16	2		



F-31

STAND

G12

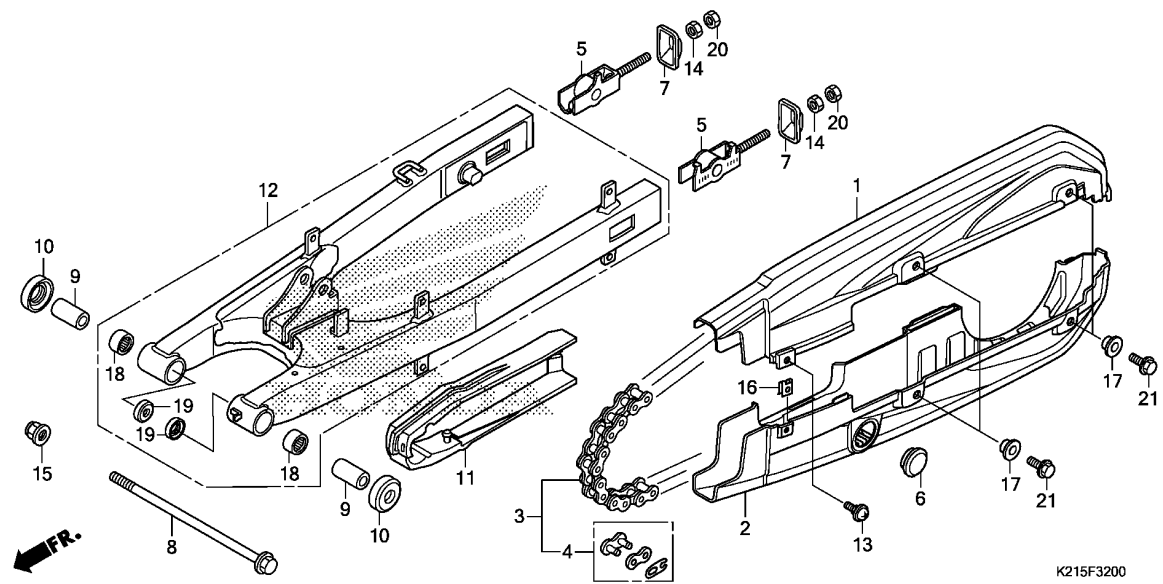


K215F3100

Ref. No.	L.O.N.	(Relative ref. Number) Description	F.R.T.
1	410175	STAND, MAIN	0.4
2	410176	SPRING, MAIN STAND	0.2
4	410180	BAR, SIDE STAND	0.2
10	410182	SPRING, SIDE STAND	0.1

3

Ref. No.	Part No.	Description	Reqd. QTY	Serial No.	Parts catalogue code
			CBF 150M E		
1	50500-K21-900	STAND COMP., MAIN	1		
2	50520-K21-900	SPRING, MAIN STAND	1		
3	50526-KTE-910	SHAFT, MAIN STAND PIVOT	1		
4	50530-KSP-B00	BAR COMP., SIDE STAND	1		
5	90107-GN1-010	SCREW, SIDE STAND PIVOT	1		
6	90304-KTE-911	NUT, FLANGE SPECIAL, 10MM (SIMMODS MARSHALL)	1		
7	90521-028-000	WASHER, 17X22	1		
8	94201-30300	PIN, SPLIT, 3.0X30	1		
9	95011-62000	RUBBER B, STAND STOPPER	1		
10	95014-72102	SPRING A, SIDE STAND	1		



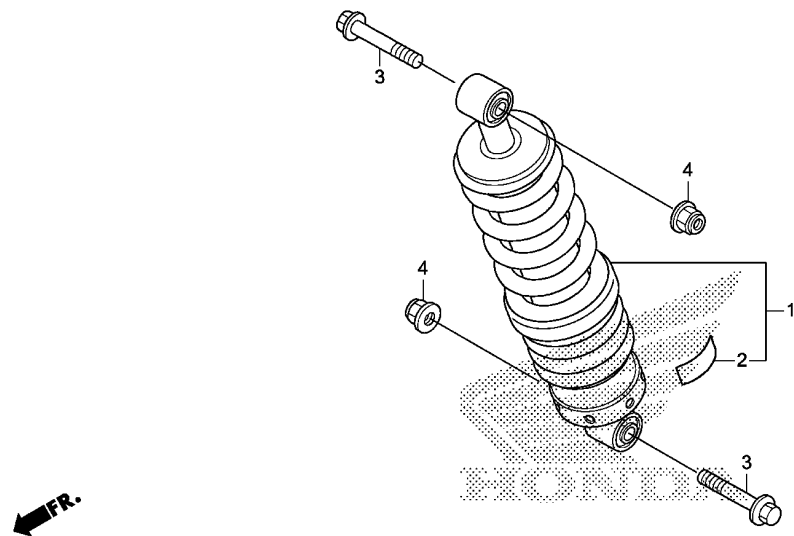
Ref. No.	L.O.N.	(Relative ref. Number) Description	F.R.T.
1	4101L9	CASE, DRIVE CHAIN :UPPER	0.1
2	4101M0	CASE, DRIVE CHAIN :LOWER	0.1
	4101P7	CASE, DRIVE CHAIN :BOTH	0.1
3	213165	CHAIN, DRIVE	0.4
11	4101E5	SLIDER, CHAIN	0.5
12	5121B0	SWINGARM ASSEMBLY	0.8
18	5121C8	BEARING, SWINGARM PIVOT :LEFT	1.0
	5121C9	BEARING, SWINGARM PIVOT :RIGHT	1.0
	5121D0	BEARING, SWINGARM PIVOT :BOTH	1.1

Ref. No.	Part No.	Description	Reqd. QTY	Serial No.	Parts catalogue code
			CBF 150M E		
1	40510-K21-900	CASE, UPPER HALF DRIVE CHAIN	1		
2	40520-K21-900	CASE, UNDER HALF DRIVE CHAIN	1		
3	40530-KSP-901	CHAIN, DRIVE(428H-126)(T.I.D.)	1		
	40530-KSP-902	CHAIN, DRIVE(428H-126)(L.G.B.)	1		
4	40531-KSP-901	JOINT, DRIVE CHAIN(T.I.D.)	1		
	40531-KSP-902	JOINT, DRIVE CHAIN(L.G.B.)	1		
5	40543-KSP-900	ADJUSTER, R. CHAIN	2		
6	40545-KWV-010	CAP, CHAIN CASE PEEP HOLE	1		
7	40546-KR1-760	CAP, RR. FORK END	2		
8	52101-K21-900	BOLT, SWINGARM PIVOT	1		
9	52141-K21-900	COLLAR, SWINGARM PIVOT	2		
10	52144-GC4-003	DUST SEAL, 31X40.5X7.1(ARAI)	2		
11	52170-K21-900	SLIDER, CHAIN	1		
12	52200-K21-910	SWINGARM SUB ASSY., RR.	1		
13	90101-GEO-000	SCREW, HINGE PATCH	1		
14	90302-KBP-900	NUT, SPECIAL, 6MM	2		
15	90305-KVN-901	NUT, FLANGE, 14MM (SIMMONDS MARSHALL)	1		
	90305-KVN-902	NUT, FLANGE, 14MM (LEO FASTENERS)	1		
16	90320-KTE-600	NUT, SPRING, 5MM	1		
17	90522-KSP-860	COLLAR, CHAIN CASE SETTING	4		
18	91071-KSP-901	BEARING, NEEDLE, 20X26X20	2		
19	91254-KS6-003	DUST SEAL, 20X26X4.5(ARAI)	2		
20	94001-06000-0S	NUT, HEX., 6MM	2		
21	95701-06016-07	BOLT, FLANGE, 6X16	4		

F-33

REAR CUSHION

G14



K215F3300

Ref. No.	L.O.N.	(Relative ref. Number) Description	F.R.T.
----------	--------	------------------------------------	--------

1	512115	CUSHION ASSY., REAR	0.5
---	--------	---------------------------	-----

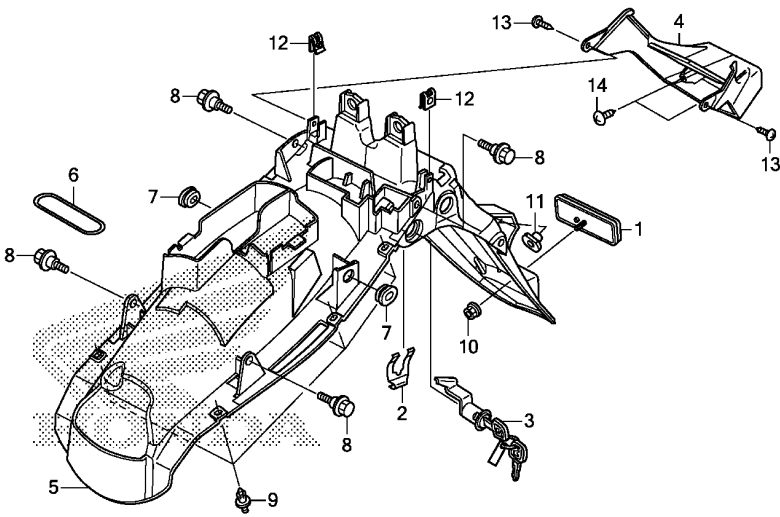
3

Ref. No.	Part No.	Description	Reqd. QTY	Serial No.	Parts catalogue code
			CBF 150M E		
1	52400-K21-901	CUSHION ASSY., RR. (SHOWA) ...	1		
2	87516-KSP-901	LABEL, RR. DAMPER	1		
3	90151-KSP-900	BOLT, FLANGE, 10X48	2		
4	90304-KST-942	NUT, FLANGE, 10MM			
		(LEO FASTENERS)	2		
	90304-KTE-911	NUT, FLANGE SPECIAL, 10MM			
		(SIMMODS MARSHALL)	2		

F-34

REAR FENDER

G15

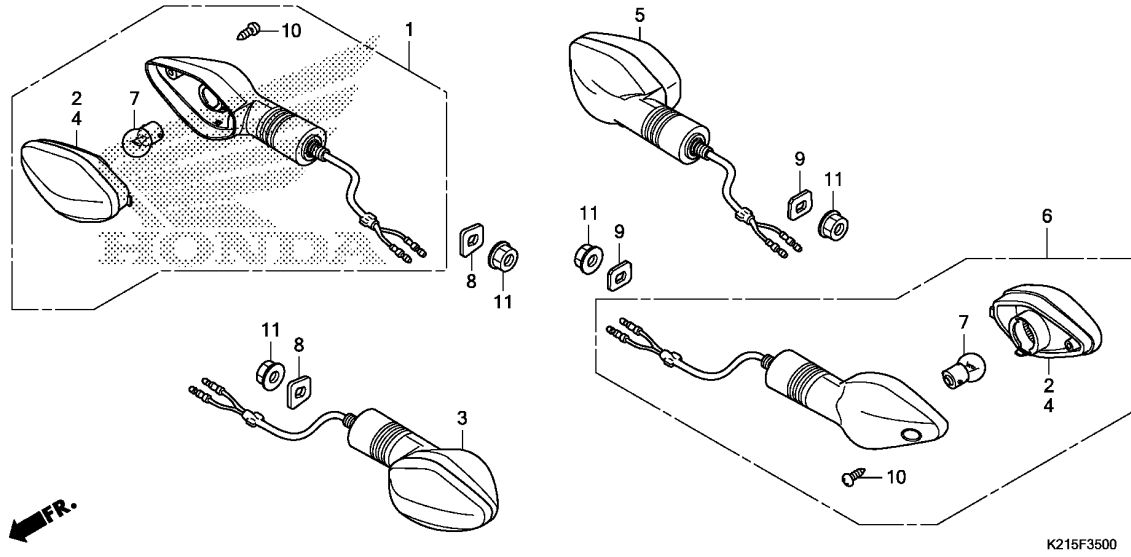


K215F3400

Ref. No.	L.O.N.	(Relative ref. Number) Description	F.R.T.
3	4131F0	LOCK, SEAT	0.5
5	413102	FENDER, REAR	0.8

Ref. No.	Part No.	Description	Reqd. QTY	Serial No.	Parts catalogue code
			CBF 150M E		
1	33741-KPL-902	REFLECTOR, REFLEX	1		
2	75581-GN8-920	SPRING, LOCK KEY SETTING	1		
3	77225-K21-900	LOCK ASSY., SEAT	1		
4	80103-K21-900	BASE, LICENSE LIGHT	1		
5	80110-K21-900	FENDER, RR.	1		
6	80123-K21-900	BAND, TOOL	1		
7	83551-GE2-000	GROMMET, AIR CLEANER CASE ...	2		
8	90111-162-000	BOLT, FLANGE, 6MM	4		
9	90116-SP0-003	CLIP, BUMPER SEAL	6		
10	90301-KWN-901	NUT, U, 5MM	1		
11	90311-KTE-910	NUT, RR. FENDER	2		
12	90344-KTE-910	NUT, CLIP, 4MM	2		
13	93903-24380	SCREW, TAPPING, 4X12	2		
14	93903-25280	SCREW, TAPPING, 5X12	2		

3



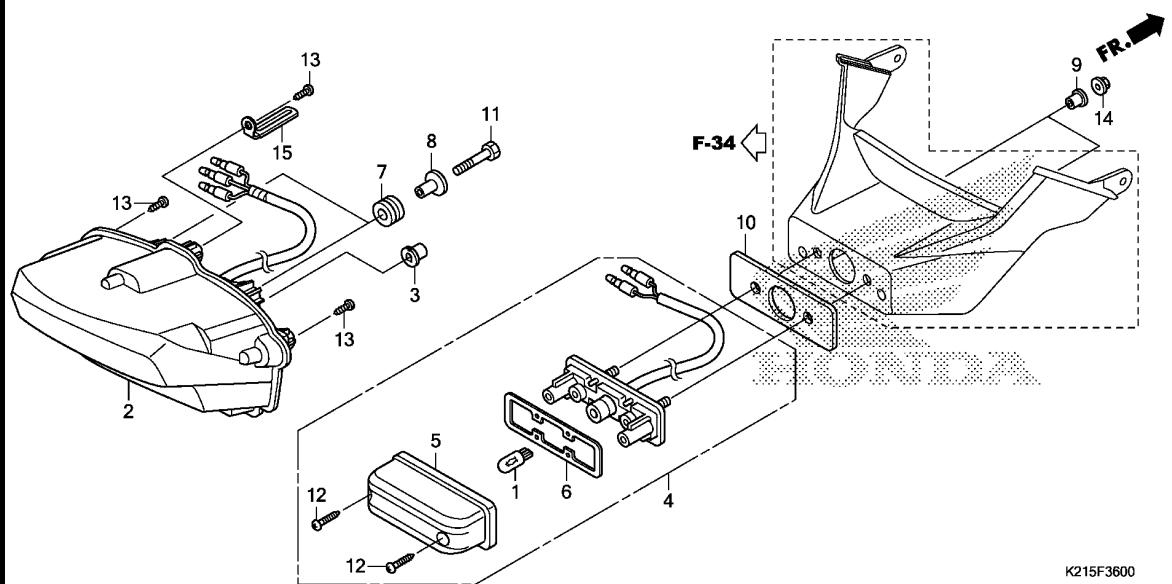
Ref. No.	L.O.N.	(Relative ref. Number) Description	F.R.T.
1	6161C4	WINKER :RIGHT FRONT	0.2
3	6161C3	WINKER :LEFT FRONT	0.2
	6161C5	WINKER :BOTH FRONT	0.3
5	6161C7	WINKER :RIGHT REAR	0.5
6	6161C6	WINKER :LEFT REAR	0.5
	6161C8	WINKER :BOTH REAR	0.6
7		(2,4)	
	616133	BULB, WINKER :FRONT	0.1
		.NOTE: Same time for two units	
	616139	BULB, WINKER :REAR	0.1
		.NOTE: Same time for two units	
	6161G0	BULB, WINKER :FOR 1 VEHICLE ..	0.2

Ref. No.	Part No.	Description	Reqd. QTY	Serial No.	Parts catalogue code
			CBF 150M E		
1	33400-K21-901	WINKER ASSY., R. FR.(12V 10W)	1		
2	33403-KWS-901	LENS COMP., R. (R. FR./L. RR.)	2		
3	33450-K21-901	WINKER ASSY., L. FR.(12V 10W)	1		
4	33453-KWS-901	LENS COMP., L. (L. FR./R. RR.)	2		
5	33600-K21-901	WINKER ASSY., R. RR.(12V 10W)	1		
6	33650-K21-901	WINKER ASSY., L. RR.(12V 10W)	1		
7	34930-KWA-930	BULB, WINKER(12V 10W)	4		
8	61315-K14-900	PLATE, FR. WINKER	2		
9	80103-KWS-900	STAY, RR. WINKER	2		
10	93901-34380	SCREW, TAPPING, 4X12	4		
11	94050-10000	NUT, FLANGE, 10MM	4		

F-36

TAILLIGHT

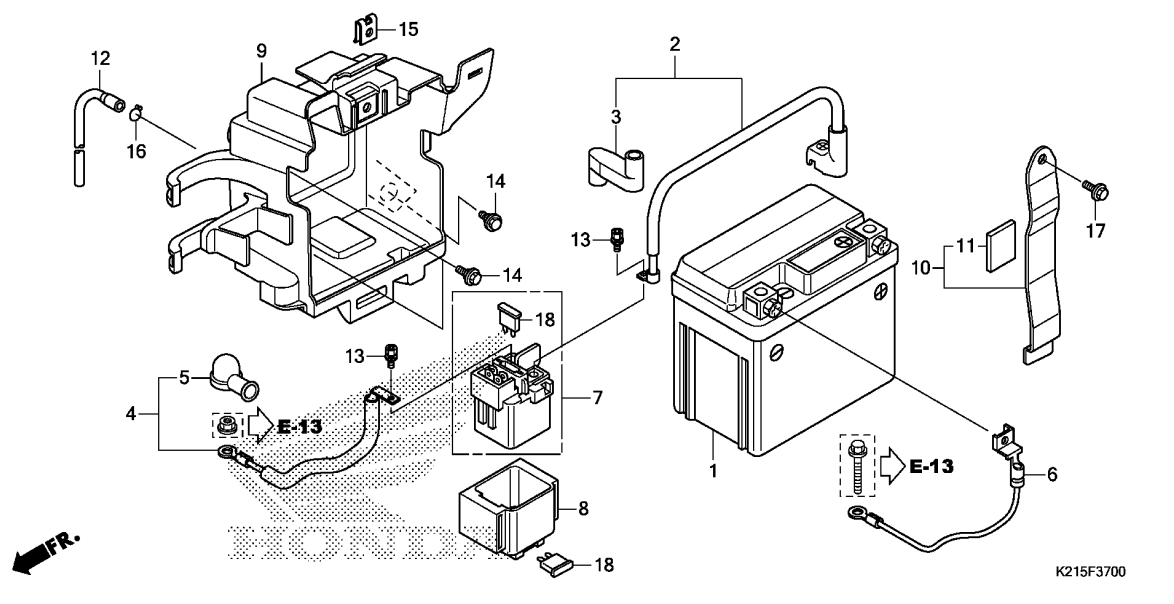
H 1



Ref. No.	L.O.N.	(Relative ref. Number) Description	F.R.T.
1		(5,6)	
6161F3		BULB, LICENSE LIGHT	0.1
2		6161D5 TAILLIGHT UNIT	0.4
4		(10)	
6161D8		LIGHT, LICENSE	0.5

Ref. No.	Part No.	Description	Reqd. QTY	Serial No.	Parts catalogue code
			CBF 150M E		
1	33301-KSP-B00	BULB, WEDGE BASE(T10 12V 5W) (PHILIPS)	1		
2	33701-K21-901	TAILLIGHT UNIT	1		
3	33706-KTE-910	GROMMET, TAILLIGHT	1		
4	33720-K21-901	LIGHT ASSY., LICENSE(12V 5W)	1		
5	33723-KSP-B01	COVER COMP.	1		
6	33729-KSP-B01	PACKING, LENS	1		
7	61103-357-000	RUBBER, FR. FENDER MOUNTING	2		
8	61104-KM7-910	COLLAR, FAIRING SETTING	2		
9	80202-KVE-900	COLLAR, LICENSE LIGHT	2		
10	80203-KVE-900	RUBBER, LICENSE LIGHT	1		
11	92101-05025-OH	BOLT, HEX., 5X25	2		
12	93901-24480	SCREW, TAPPING, 4X16	2		
13	93903-24380	SCREW, TAPPING, 4X12	3		
14	94050-05000	NUT, FLANGE, 5MM	2		
15	94591-47000	CLIP, 4X70	1		

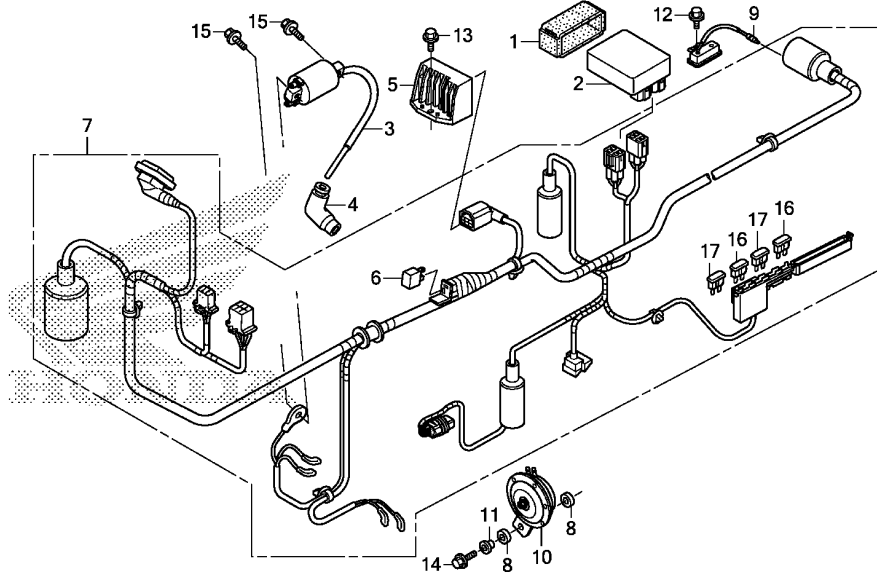
3



Ref. No.	L.O.N.	(Relative ref. Number) Description	F.R.T.
1	610100	BATTERY	0.2
2	610105	CABLE, POSITIVE BATTERY	0.2
4	612115	CABLE, STARTER MOTOR	0.2
6	610110	CABLE, NEGATIVE BATTERY	0.2
7	615113	SWITCH, STARTER MAGNETIC	0.2
9	4101B0	HOLDER, BATTERY BOX	0.4

3

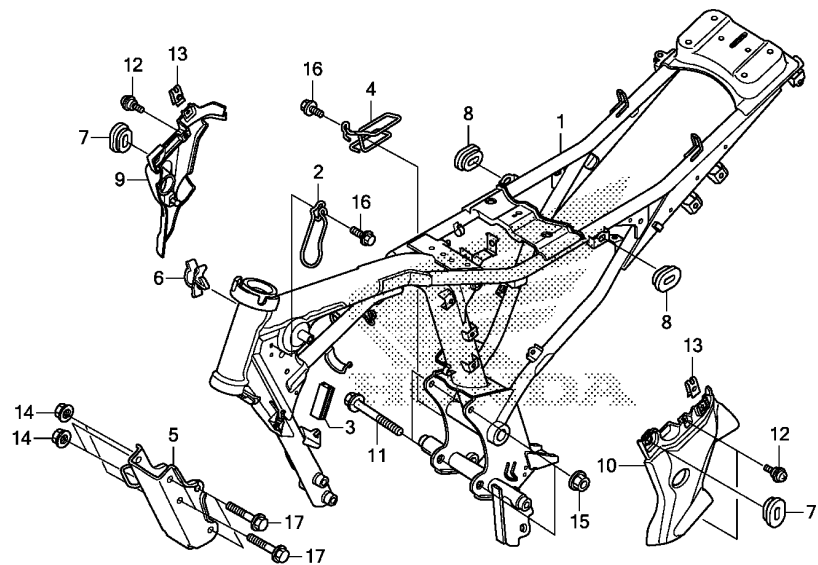
Ref. No.	Part No.	Description	Reqd. QTY	Serial No.	Parts catalogue code
			CBF 150M E		
1	31500-KSP-B01	BATTERY (YTX5L-BS) (TYBC)	1		
2	32401-K21-900	CABLE, STARTER MAGNETIC	1		
3	32406-MT3-610	COVER A, STARTER MAGNETIC	1		
4	32410-K21-900	CABLE, STARTER MOTOR	1		
5	32411-253-000	COVER, STARTER MOTOR TERMINAL	1		
6	32601-K21-900	CABLE, BATTERY EARTH	1		
7	35850-KEB-620	SWITCH ASSY., STARTER MAGNETIC	1		
8	35856-K21-900	RUBBER, SHOCK	1		
9	50384-K21-900	BOX, BATTERY	1		
10	50386-K21-900	BAND COMP., BATTERY	1		
11	50386-130-690	CUSHION C, BATTERY	1		
12	50388-K21-900	TUBE, BATTERY TRAY	1		
13	90111-MR5-000	BOLT, SOCKET, 5X9	2		
14	90111-162-000	BOLT, FLANGE, 6MM	3		
15	90320-747-000	NUT, SPRING, 6MM	1		
16	90651-MK3-780	CLIP, TUBE (B12.5)	1		
17	95701-06012-00	BOLT, FLANGE, 6X12	1		
18	98200-32000	FUSE, BLADE (20A)	2		



Ref. No.	L.O.N.	(Relative ref. Number) Description	F.R.T.
2	6141A1	IGNITION CONTROL MODULE	0.4
3	614105	COIL, IGNITION	0.4
5	6131B2	RECTIFIER, REGULATE	0.5
7	611100	HARNESS, WIRE	0.9
9	613140	RESISTOR(FRAME OR ENGINE)	0.5
10	616169	HORN	0.1

Ref. No.	Part No.	Description	Reqd. QTY	Serial No.	Parts catalogue code
			CBF 150M E		
1	30401-KVE-901	CUSHION, C.D.I. UNIT	1		
2	30410-K21-901	C.D.I. UNIT(DC)	1		
3	30500-K21-901	COIL ASSY., IGNITION	1		
4	30700-KZA-W01	CAP ASSY., NOISE SUPPRESSOR ..	1		
5	31600-KTE-601	RECTIFIER COMP., REGULATOR ..	1		
6	31700-124-008	RECTIFIER ASSY., SILICON (SHINDENGEN)	1		
7	32100-K21-700	HARNESS, WIRE	1		
8	33714-KL3-620	RUBBER, TAILLIGHT BRACKET ...	2		
9	35400-K21-900	RESISTOR COMP.	1		
10	38110-KSP-B01	HORN COMP.(HIGH)	1		
11	38117-KFE-701	COLLAR, HORN SETTING	1		
12	95701-06010-00	BOLT, FLANGE, 6X10	1		
13	95701-06012-00	BOLT, FLANGE, 6X12	1		
14	95701-06020-08	BOLT, FLANGE, 6X20	1		
15	96001-06020-00	BOLT, FLANGE, 6X20	2		
16	98200-31000	FUSE, BLADE(10A)	2		
17	98200-31500	FUSE, BLADE(15A)	2		



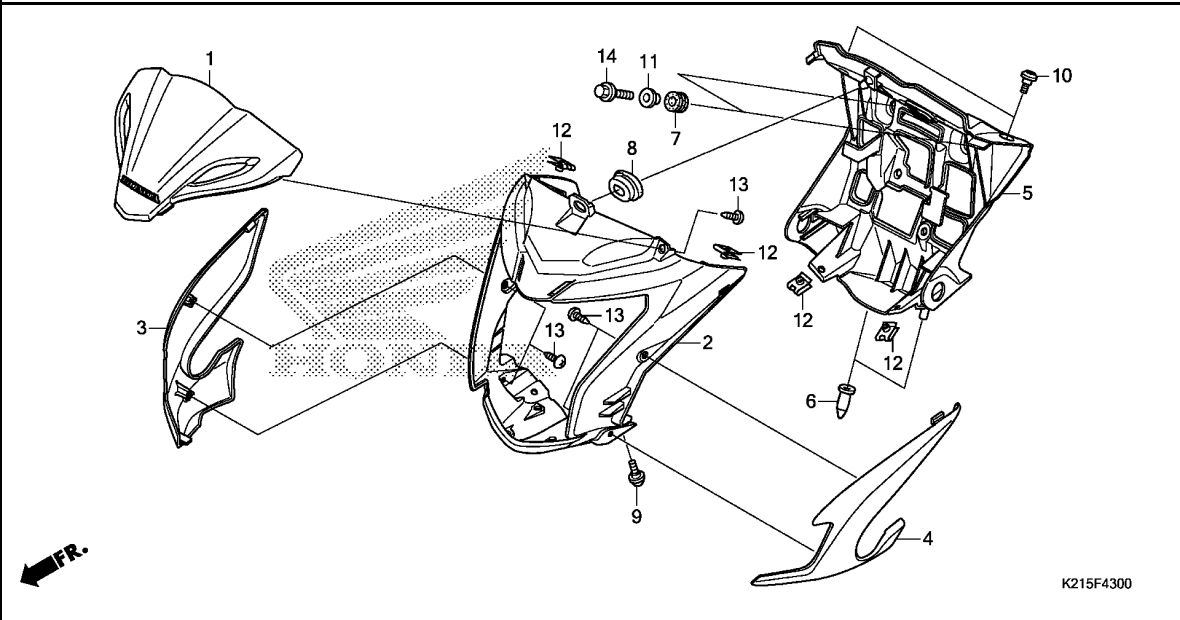


K215F3900

Ref. No.	L.O.N.	(Relative ref. Number) Description	F.R.T.
1	410100	BODY, FRAMEINCLUDES: Engine removal and installation	5.5
5	4101N0	PLATE, FRONT ENGINE HANGER ...	0.2
9	4101D6	COVER, PILLION STEP HOLDER :RIGHT	0.1
10	4101D5	COVER, PILLION STEP HOLDER :LEFT	0.1
	4101M6	COVER, PILLION STEP HOLDER :BOTH	0.2

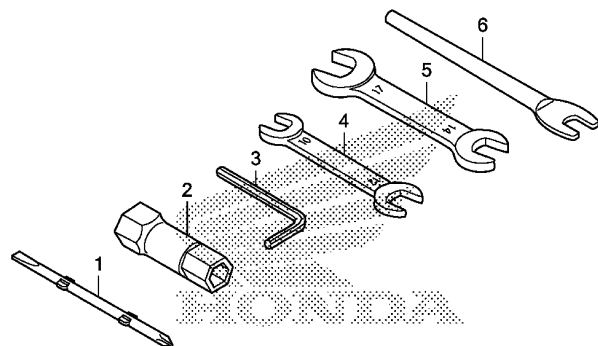
3

Ref. No.	Part No.	Description	Reqd. QTY	Serial No.	Parts catalogue code
			CBF 150M E		
1	50100-K21-900	BODY COMP., FRAME	1		
2	50155-K21-900	GUIDE, MAIN HARNESS	1		
3	50199-KSP-B00	RUBBER, STIFFENER	1		
4	50296-K21-900	GUIDE, DRAIN HOSE	1		
5	50351-KSP-B00	PLATE, FR. ENGINE HANGER	1		
6	61309-GE4-003	CLIP, HARNESS	1		
7	83551-GE2-000	GROMMET, AIR CLEANER CASE ...	2		
8	83551-300-000	GROMMET, AIR CLEANER CASE ...	2		
9	83560-K21-900	COVER, R. STEP	1		
10	83565-K21-900	COVER, L. STEP	1		
11	90019-399-010	BOLT, FLANGE, 10X110	2		
12	90101-GE0-000	SCREW, HINGE PATCH	3		
13	90320-KTE-600	NUT, SPRING, 5MM	2		
14	94050-08000	NUT, FLANGE, 8MM	4		
15	94050-10000	NUT, FLANGE, 10MM	2		
16	95701-06012-07	BOLT, FLANGE, 6X12	2		
17	95801-08085-00	BOLT, FLANGE, 8X85	4		



Ref. No.	L.O.N.	(Relative ref. Number) Description	F.R.T.
1	812102	VISOR, METER	0.2
2	4111L3	COWL, FRONT CENTER	0.3
3	4111L5	COWL, FRONT :RIGHT	0.2
4	4111L4	COWL, FRONT :LEFT	0.2
5	4111L6	COWL, FRONT :BOTH	0.3
5	413135	COVER, HEADLIGHT	0.6

Ref. No.	Part No.	Description	Reqd. QTY	Serial No.	Parts catalogue code
			CBF 150M E		
1	61300-K21-900ZA	VISOR SET, FR.(WL)	1		
		TYPE1.....	1		
2	61302-K21-900	COWL, FR.	1		
3	61305-K21-900ZA	GARNISH, R. FR.	1		
		R320P.....PEARL SIENA RED	1		
	61305-K21-900ZC	*NH1*.....BLACK	1		
	61305-K21-900ZF	*PB393M*.....NEON BLUE METALLIC	1		
4	61306-K21-900ZA	GARNISH, L. FR.	1		
		R320P.....PEARL SIENA RED	1		
	61306-K21-900ZC	*NH1*.....BLACK	1		
	61306-K21-900ZF	*PB393M*.....NEON BLUE METALLIC	1		
5	61310-K21-900	COVER, HEADLIGHT RR.	1		
6	61312-KCT-690	BOOT, HEADLIGHT STAY	2		
7	64615-KR1-860	RUBBER, LOWER COWL MOUNTING ..	2		
8	83551-GE2-000	GROMMET, AIR CLEANER CASE ...	1		
9	90101-GE0-000	SCREW, HINGE PATCH	2		
10	90134-KPP-T00	SCREW, PAN, 5X14	2		
11	90310-KWS-900	COLLAR, FR. COWL	2		
12	90320-KTE-600	NUT, SPRING, 5MM	4		
13	93903-25220	SCREW, TAPPING, 5X12	6		
14	95701-06025-00	BOLT, FLANGE, 6X25	2		



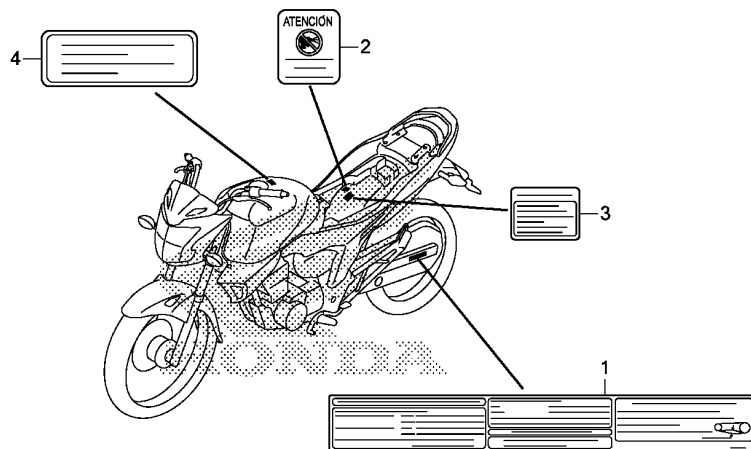
K215F4800

Ref. L.O.N. (Relative ref. Number) F.R.T.
No. Description

NO INFORMATION

3

Ref. No.	Part No.	Description	Reqd. QTY	Serial No.	Parts catalogue code
			CBF 150M E		
1	89102-KTE-910	DRIVER, SCREW(NO.2 + -)	1		
2	89216-KTE-910	WRENCH, SPARK PLUG	1		
3	89221-429-000	WRENCH, HEX., 5MM	1		
4	89225-KPL-900	SPANNER, 10X12	1		
5	89233-KSP-900	SPANNER, 14X17	1		
6	99005-02000	BAR B, HANDLE	1		

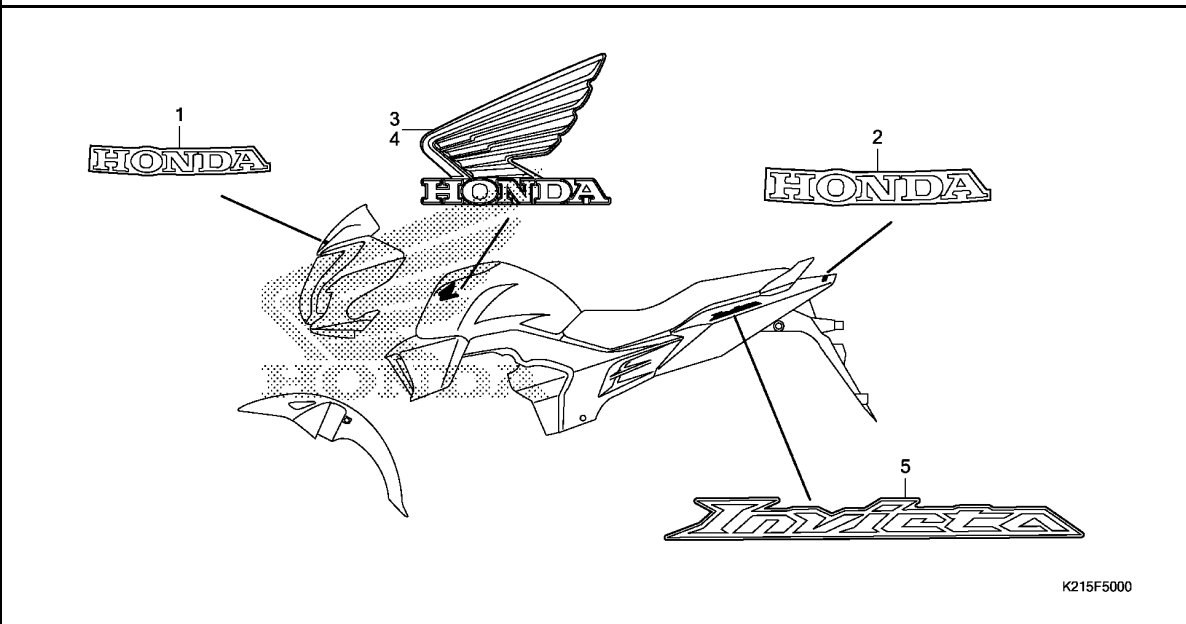


K215F4900

Ref. L.O.N. (Relative ref. Number) F.R.T.
No. Description

NO INFORMATION

Ref. No.	Part No.	Description	Reqd. QTY CBF 150M E	Serial No.	Parts catalogue code
1	87505-K21-700	LABEL, TIRE & DRIVE CHAIN (SPANISH)	1		
2	87509-KWS-840	LABEL, AIR CLEANER ELEMENT NOTICE (SPANISH)	1		
3	87517-KWS-840	LABEL, AIR INTAKE CAUTION (SPANISH)	1		
4	87560-MAK-690	LABEL, DRIVE (SPANISH)	1		



K215F5000

Ref. No.	L.O.N.	(Relative ref. Number)	Description	F.R.T.
----------	--------	------------------------	-------------	--------

NO INFORMATION

Ref. No.	Part No.	Description	Reqd. QTY	Serial No.	Parts catalogue code
			CBF 150M E		
1	86101-K21-900ZA	MARK, HONDA(50MM) *TYPE1*	1		
2	86102-K21-900ZB	MARK, HONDA(60MM) *TYPE1*	1		
3	86201-K21-900	EMBLEM, R. WING(100MM)	1		
4	86202-K21-900	EMBLEM, L. WING(100MM)	1		
5	86771-K21-700ZA	MARK, SIDE COWL *TYPE2*	2		
	86771-K21-700ZB	*TYPE1*	2		

PART NO. INDEX

Part Number	Address	Page	Ref.	Part Number	Address	Page	Ref.	Part Number	Address	Page	Ref.	Part Number	Address	Page	Ref.				
06000				14000				16199-KSP-900				18655-KSP-901				28000			
06410-KSP-900	F16	60	1	14100-KSP-B00	D3	27	2	16210-KVE-900	D2	26	8	19000				28110-KRM-850	D8	32	1
06435-KSP-B01	F15	59	1	14321-KRM-840	D4	28	1	16217-KSP-910	D2	26	9	19052-KVO-000				28110-KWF-920	D8	32	1
06451-GE2-405	F10	54	1	14401-KCW-851	D4	28	2	16423-KGH-901	E3	43	21	20000				28120-KWB-921	D8	32	2
06451-MA7-405	F15	59	2	14430-KSP-910	D3	27	3	16950-K21-900	G2	62	2	22100-KWF-940				28131-KTN-900	D8	32	3
06455-KPP-N01	F10	54	2	14451-KRM-840	D3	27	4	16952-K21-900	G2	62	3	22115-KSP-910				28131-KVS-851	D8	32	3
06531-KW6-840	F7	51	1	14510-KRM-842	D4	28	3	16953-GT4-305	G2	62	4	22120-KRM-840				28132-KN6-930	D8	32	4
				14515-KRM-840	D4	28	4	16955-KWF-900	G2	62	5	22201-KPM-850				28133-KRM-850	D8	32	5
				14520-KSP-910	D4	28	5	16959-HB3-005	G2	62	6	22201-MR8-000				28211-KVS-600	E2	42	2
				14560-KSP-910	D4	28	6	17000				22212-KRM-840				28212-KVS-600	E2	42	3
				14610-KSP-910	D4	28	7	17211-KSP-B00	G7	67	2	22201-KPM-850				28215-KRM-840	E2	42	4
11100-KSP-860	D13	37	1	14711-KSP-910	D3	27	5	17214-KSP-900	G7	67	3	22321-KPS-900				28221-KRM-840	E2	42	5
11108-KTT-900	D13	37	2	14721-KVE-900	D3	27	6	17215-KSP-900	G7	67	4	22355-KRM-840				28223-KRM-840	E2	42	6
11200-KSP-860	D13	37	3	14751-KWF-840	D3	27	7	17219-KSP-900	G7	67	6	22361-KPK-900				28231-KWF-900	E2	42	7
11215-KRM-840	D13	37	4	14761-KWF-840	D3	27	8	17222-K21-900	G7	67	7	22366-KRM-840				28251-KWG-600	E2	42	8
11216-KRM-840	D13	37	5	14771-KSP-910	D3	27	9	17225-KSP-B00	G7	67	8	22401-KRM-840				28261-KRM-840	E2	42	9
11217-KRM-840	D13	37	6	14777-KGH-900	D3	27	10	17227-KTE-910	G7	67	9	22810-KRM-B00				28282-KRM-840	E2	42	10
11330-KSP-B10	D6	30	1	14781-MA6-000	D3	27	11	17235-KSP-900	G7	67	10	22815-428-000				28293-333-000	G10	70	3
11341-KSP-B00	D9	33	1	15000				17235-KSP-900	G7	67	11	22821-KSP-B00				28300-KSP-A70	G10	70	4
11360-K21-900	D9	33	2	15100-KRM-840	D12	36	1	17245-KSP-900	G7	67	12	22870-K21-900				28311-KC5-000	G10	70	5
11365-K21-900	D9	33	3	15130-KRM-840	D12	36	2	17311-KSP-900	G7	67	13	23000				28333-KK0-000	G10	70	6
11393-KWK-900	D6	30	2	15331-KRM-840	D12	36	3	17312-KFN-880	G7	67	14	23121-KRM-840				30401-KVE-901	H3	79	1
11395-KWK-900	D9	33	4	15332-KRM-840	D12	36	4	17316-611-000	G8	68	2	23210-KWF-900				30410-K21-901	H3	79	2
				15421-KSP-910	D12	36	5	17360-KSP-900	G8	68	3	23220-KRH-780				30500-K21-901	H3	79	3
				15430-KSP-910	D12	36	6	17365-K21-900	G8	68	4	23421-KWF-900				30700-KZA-W01	H3	79	4
				15436-KRM-840	D12	36	7	17371-KSP-900	G7	67	15	23427-KRM-840				31000			
				15441-KCS-650	D12	36	8	17519-K21-900	G2	62	7	23431-KVS-900				31110-KSP-B01	D10	34	1
				15446-107-000	D12	36	9	17525-K21-900	G2	62	9	23432-KVS-900				31120-K21-901	D10	34	2
				15459-KWK-900	D12	36	10	17525-KVE-900	G2	62	8	23441-KVS-900				31200-K21-901	D11	35	1
				15651-KSP-910	D6	30	3	17530-K21-900ZA	G2	62	10	23451-KSP-B00				31201-KPT-A01	D11	35	2
				15772-500-013	G8	68	1	17530-K21-900ZF	G2	62	10	23461-KSP-B00				31204-KG8-004	D11	35	3
				16000				17531-K21-900	G2	62	11	23471-KSP-B00				31205-KTC-921	D11	35	4
				16010-KSP-911	E3	43	1	17611-KRY-970	G2	62	13	23481-KSP-B00				31206-KPH-881	D11	35	5
				16012-K21-701	E3	43	2	17613-KSP-B00	G2	62	14	23491-KRE-B00				31207-MBE-008	D11	35	6
				16013-KRC-921	E3	43	3	17620-KWF-901	G2	62	15	23501-KRE-B00				31500-KSP-B01	H2	78	1
				16015-KSP-911	E3	43	4	17622-GB7-900	G8	68	5	23800-K21-900				31600-KTE-601	H3	79	5
				16016-K21-901	E3	43	5	17681-K21-900	G2	62	16	23811-KR3-600				31700-124-008	H3	79	6
				16028-KPP-901	E3	43	6	17910-K21-900	F3	47	1	24000				31916-KRM-841	D2	26	10
				16037-KPP-861	E3	43	7	17950-K21-900	F3	47	2	24211-KRM-840				31926-KRM-841	D2	26	10
				16046-KVC-901	E3	43	8	18000				24212-KWF-900				31926-KSP-861	D2	26	10
				16050-KVE-901	E3	43	9	18291-KSP-901	G9	69	1	24241-KRM-840				32000			
				16075-KRP-981	E3	43	10	18293-MCA-A20	G9	69	2	24242-KRM-840				32100-K21-700	H3	79	7
				16080-KTN-901	E3	43	11	18300-K21-900	G9	69	3	24301-KSP-910				32111-KSP-910	D10	34	3
				16100-K21-701	E3	43	12	18345-MBT-610	G9	69	4	24410-KSP-860				32161-KSP-920	F3	47	4
				16100-K21-711	E3	43	12	18355-K21-900	G9	69	5	24430-KRM-B10				32401-K21-900	H2	78	2
				16107-KGH-901	E3	43	13	18421-438-670	G9	69	7	24436-KRM-840				32406-MT3-610	H2	78	3
				16111-KSP-B01	E3	43	14	18442-KRC-900	G9	69	8	24610-KRM-840				32410-K21-900	H2	78	4
				16119-KSP-911	E3	43	15	18600-KSP-901	G8	68	6	24651-KSP-910				32411-253-000	H2	78	5
				16140-KTE-911	E3	43	16	18601-KSP-900	G8	68	7	24652-KRM-840				32601-K21-900	H2	78	6
				16155-KFR-701	E3	43	17	18602-KSP-900	G8	68	8	24701-KSP-900							
				16163-KRP-981	E3	43	18	18640-KSP-B00	G8	68	9	24781-KSP-860							
				16165-K21-901	E3	43	19												
				16173-001-004	G2	62	1												
				16180-KGH-901	E3	43	20												



PART NO. INDEX

Part Number	Address	Page	Ref.	Part Number	Address	Page	Ref.	Part Number	Address	Page	Ref.	Part Number	Address	Page	Ref.																																
33000				38000				43512-K21-911 F13 57 7				50000																																			
33120-K21-910	F1	45	1	38110-KSP-B01	H3	79	10	43513-KBP-881	F13	57	8	50100-K21-900	H4	80	1																																
33126-K21-901	F1	45	2	38117-KFE-701	H3	79	11	43514-KS6-701	F13	57	9	50155-K21-900	H4	80	2																																
33150-K21-910	F1	45	3	38301-K21-901	F3	47	8	43516-K21-911	F13	57	10	50163-K21-910	F13	57	17																																
33301-KSP-B00	H1	77	1	38306-KTE-910	F3	47	9	43520-MJ6-315	F13	57	11	50199-KSP-B00	H4	80	3																																
33301-KYJ-901	F1	45	4	38502-KSP-910	F3	47	10	43530-MW9-006	F13	57	12	50260-K21-900ZA	G2	62	18																																
33400-K21-901	G16	76	1	38506-KSP-910	F3	47	11	44000				50260-K21-900ZC	G2	62	18																																
33403-KWS-901	G16	76	2					44301-KSP-900	F11	55	2	50260-K21-900ZF	G2	62	18																																
33450-K21-901	G16	76	3	40000				44311-KSP-900	F11	55	3	50265-K21-900ZA	G3	63	20																																
33453-KWS-901	G16	76	4	40510-K21-900	G13	73	1	44620-KSP-900	F11	55	4	50265-K21-900ZC	G3	63	20																																
33600-K21-901	G16	76	5	40520-K21-900	G13	73	2	44680-KSP-B00	F11	55	6	50296-K21-900ZF	G3	63	20																																
33619-459-840	G9	69	9	40530-KSP-901	G13	73	3	44711-KSP-B01	F11	55	7	50296-K21-900	G3	63	21																																
33650-K21-901	G16	76	6	40530-KSP-902	G13	73	3	44800-K21-901	F11	55	8	50301-K21-900	F7	51	2																																
33701-K21-901	H1	77	2	40531-KSP-901	G13	73	4	44817-K21-900	F11	55	9	50301-KTR-900	F7	51	2																																
33706-KTE-910	H1	77	3	40531-KSP-902	G13	73	4	44818-K21-900	F11	55	10	50351-KSP-B00	H4	80	5																																
33714-KL3-620	H3	79	8	40543-KSP-900	G13	73	5	45000				50384-K21-900	H2	78	9																																
33720-K21-901	H1	77	4	40545-KWV-010	G13	73	6	45107-GE2-006	F10	54	5	50386-130-690	H2	78	11																																
33723-KSP-B01	H1	77	5	40546-KR1-760	G13	73	7	45108-KPH-951	F10	54	6	50386-K21-900	H2	78	10																																
33729-KSP-B01	H1	77	6					45111-MAJ-G41	F10	54	7	50388-K21-900	H2	78	12																																
33741-KPL-902	G15	75	1	41000				45111-MAJ-G41	F10	54	7	50400-K21-900ZA	G4	64	1																																
34000				41200-K21-900	F16	60	2	42000				50500-K21-900	G12	72	1																																
34901-KVN-971	F1	45	5	42000				45126-K21-901	F5	49	2	50520-K21-900	G12	72	2																																
34930-KWA-930	G16	76	7	42301-K21-900	F16	60	3	45131-GZ0-006	F10	54	8	50526-KTE-910	G12	72	3																																
35000				42303-K18-900	F16	60	4	45131-K21-900	F5	49	3	50530-KSP-B00	G12	72	4																																
35010-K21-900	F6	50	1	42304-KSP-B00	F16	60	5	45132-166-016	F10	54	9	50602-KSP-900	G11	71	1																																
35100-KSP-B01	F6	50	2	42615-K21-900ZA	F16	60	7	45133-MA3-006	F10	54	10	50610-K21-900	G11	71	2																																
35106-K21-900	F6	50	3	42620-KSP-B00	F16	60	8	45153-MA3-006	F15	59	13	50618-KE8-000	G11	71	3																																
35121-KSP-910	F6	50	4	42650-K21-910ZA	F16	60	9	45155-K21-900	F5	49	4	50619-KSP-900	G11	71	4																																
35150-K21-901	F3	47	5	42711-KSP-B01	F16	60	10	45156-K21-900	F5	49	5	50640-K21-910	G11	71	5																																
35200-K21-701	F3	47	6	42753-KWF-901	F11	55	1	45203-MCC-006	F15	59	14	50661-KFN-880	G11	71	7																																
35330-KEJ-900	F3	47	7	43000				45215-KPH-951	F10	54	11	50701-KSP-900	G11	71	8																																
35340-KSP-B51	F5	49	1	43107-MA7-006	F15	59	3	45216-166-006	F10	54	12	50715-KSP-910	G11	71	9																																
35350-KYJ-611	G10	70	7	43108-KSP-B51	F15	59	4	45250-KYE-901	F10	54	13	50740-K21-900	G11	71	10																																
35357-KSP-900	G10	70	8	43112-KSP-B01	F15	59	5	45251-K21-901	F11	55	11	50801-KSP-900	G11	71	11																																
35400-K21-900	H3	79	9	43150-KYE-902	F15	59	6	45251-KSP-861	F11	55	11	51000																																			
35750-KSP-B00	D13	37	7	43156-K21-910	F13	57	1	45251-KVC-A51	F11	55	11	51400-K21-901	F9	53	1																																
35751-KPH-900	E1	41	12	43190-KSP-B01	F15	59	7	45290-KPP-901	F10	54	14	51401-K21-901	F9	53	2																																
35752-KRM-840	E1	41	13	43215-KGH-901	F15	59	8	45504-410-003	F5	49	6	51410-K21-901	F9	53	3																																
35850-KEB-620	H2	78	7	43251-K21-911	F16	60	12	45510-K21-901	F5	49	7	51412-KFN-851	F9	53	4																																
35856-K21-900	H2	78	8	43251-K21-912	F16	60	12	45512-MA6-006	F5	49	8	51412-KSP-901	F9	53	5																																
37000				43310-K21-911	F13	57	2	45513-HA2-006	F5	49	9	51420-K21-901	F9	53	6																																
37100-K21-901	F2	46	1	43352-568-003	F10	54	3	45520-GE2-006	F5	49	11	51432-KFN-851	F9	53	7																																
37101-K21-901	F2	46	2	43503-MER-D01	F13	57	3	45520-GW0-911	F13	57	13	51437-KVN-901	F9	53	8																																
37102-K21-901	F2	46	3	43504-MB2-006	F13	57	4	45521-K21-901	F5	49	12	51440-KSP-901	F9	53	9																																
37103-K21-901	F2	46	4	43510-K15-901	F13	57	5	45530-471-831	F5	49	13	51490-KRM-852	F9	53	10																																
37104-K21-901	F2	46	5	43511-KW7-881	F13	57	6	46000				51500-K21-901	F9	53	11																																
37201-K21-901	F2	46	6					46182-MEL-D21	F13	57	15	51520-K21-901	F9	53	12																																
37244-KVK-900	F2	46	7					46500-K21-910	G10	70	9	60000																																			
37800-K21-901	G2	62	17					46504-KV6-702	F13	57	16	64615-KR1-860	H5	81	7																																
37890-KTN-901	E3	43	22					46514-K21-910	G10	70	10	64000																																			
<table border="0"> <tr> <td>52144-GC4-003</td> <td>G13</td> <td>73</td> <td>10</td> <td>64615-KR1-860</td> <td>H5</td> <td>81</td> <td>7</td> </tr> <tr> <td>52170-K21-900</td> <td>G13</td> <td>73</td> <td>11</td> <td></td> <td></td> <td></td> <td></td> </tr> <tr> <td>52200-K21-910</td> <td>G13</td> <td>73</td> <td>12</td> <td></td> <td></td> <td></td> <td></td> </tr> <tr> <td>52400-K21-901</td> <td>G14</td> <td>74</td> <td>1</td> <td></td> <td></td> <td></td> <td></td> </tr> </table>																52144-GC4-003	G13	73	10	64615-KR1-860	H5	81	7	52170-K21-900	G13	73	11					52200-K21-910	G13	73	12					52400-K21-901	G14	74	1				
52144-GC4-003	G13	73	10	64615-KR1-860	H5	81	7																																								
52170-K21-900	G13	73	11																																												
52200-K21-910	G13	73	12																																												
52400-K21-901	G14	74	1																																												

PART NO. INDEX

Part Number	Address	Page	Ref.	Part Number	Address	Page	Ref.	Part Number	Address	Page	Ref.	Part Number	Address	Page	Ref.
93903-24420	F2	46	10	95701-06014-00	D2	26	19	99000							
93903-25220	F6	50	20	95701-06016-00	D4	28	11								
	H5	81	13		D13	37	15	99005-02000	H6	82	6				
93903-25280	G6	66	8		E2	42	16	99101-KSP-1120	E4	44	29				
	G15	75	14		G8	68	19	99101-MAZ-1150	E4	44	29				
93903-25480	G7	67	22	95701-06016-07	G13	73	21								
				95701-06020-00	G5	65	10								
94000				95701-06020-08	H3	79	14								
				95701-06022-00	D11	35	10								
94001-06000-0S	G13	73	20	95701-06022-08	F14	58	28								
94002-08000-0S	F14	58	23	95701-06025-00	H5	81	14								
94050-05000	H1	77	14	95701-06035-00	D12	36	17								
94050-06000	F4	48	30		G8	68	20								
	F5	49	21	95701-06040-00	D13	37	16								
	G3	63	31	95701-06045-00	D13	37	17								
	G8	68	15	95701-06070-00	D13	37	18								
94050-08000	H4	80	14	95701-08020-00	G11	71	16								
94050-10000	G9	69	12	95701-08025-00	G4	64	10								
	G16	76	11	95701-08025-08	G3	63	36								
	H4	80	15	95701-08035-00	G10	70	14								
94102-08000	G11	71	14	95701-08035-07	F7	51	8								
94103-10000	G9	69	13	95701-10016-00	G11	71	17								
94109-12000	D13	37	14	95801-06105-00	D2	26	20								
94201-20150	F14	58	24	95801-08085-00	H4	80	17								
	G11	71	15	95801-10055-00	G9	69	14								
94201-30300	G10	70	13												
	G12	72	8	96000											
94251-08000	D12	36	16												
94302-06100	D2	26	17	96001-06012-00	D1	25	10								
94303-06100	D2	26	17		F5	49	22								
94305-20102	F14	58	25		F12	56	17								
94305-30102	D6	30	11		F14	58	29								
94510-14000	E1	41	18	96001-06016-00	D10	34	6								
94510-16000	E2	42	14	96001-06018-00	D13	37	19								
94591-47000	H1	77	15	96001-06020-00	D13	37	20								
94601-14000	D14	38	10		G10	70	15								
				96001-06022-00	H3	79	15								
95000					D4	28	12								
					D10	34	7								
95002-02070	G8	68	16		F5	49	23								
95002-02080	G3	63	32		F8	52	5								
95002-02089	E4	44	27	96001-06025-00	F4	48	31								
95002-02100	G3	63	33	96001-06030-00	D6	30	12								
95002-02130	G3	63	34	96001-06032-00	F8	52	6								
95002-70000	G7	67	23	96001-06035-00	D9	33	10								
95005-45510-50	E4	44	28	96001-06040-00	D6	30	13								
95005-80055-20	G8	68	17		D9	33	11								
95011-62000	G12	72	9	96001-06045-00	D9	33	12								
95014-72102	G12	72	10	96100-60030-00	D7	31	15								
95015-54000	F14	58	26	96211-08000	G10	70	16								
95018-54250	G7	67	24	96220-30085	E1	41	19								
95701-06010-00	H3	79	12												
95701-06012-00	G4	64	9	98000											
	H2	78	17												
	H3	79	13	98200-31000	H3	79	16								
95701-06012-07	F14	58	27	98200-31500	H3	79	17								
	G8	68	18	98200-32000	H2	78	18								
	H4	80	16												
95701-06012-08	G3	63	35												

PART NAME INDEX

J 1

Part name	Address	Page	Ref.	Part name	Address	Page	Ref.	Part name	Address	Page	Ref.
[A]				BOLT, FLANGE, 6X10	H3	79	12	BOLT, HEX., 6X20	E1	41	14
ADJUSTER, R. CHAIN	G13	73	5	BOLT, FLANGE, 6X105	D2	26	20	BOLT, KNOCK, 5MM	D4	28	9
ARM ASSY., KICK STARTER	G10	70	4	BOLT, FLANGE, 6X12	D1	25	10	BOLT, L. CRANKCASE COVER	D1	25	6
ARM COMP., VALVE ROCKER	D3	27	3		F5	49	22	BOLT, OIL, 10X22	F5	49	16
AXLE, FR. WHEEL	F11	55	2		F12	56	17		F13	57	19
AXLE, RR. WHEEL	F16	60	3		F14	58	27	BOLT, PIN	F10	54	8
[B]					G3	63	35	BOLT, SETTING	D11	35	4
BALL ASSY., STEEL, #8X18	F7	51	1		G4	64	9	BOLT, SOCKET, 5X9	H2	78	13
BALL, STEEL, #8	G10	70	16		G8	68	18	BOLT, SOCKET, 6MM	D8	32	6
BAND B1, WIRE	F3	47	4		H2	78	17	BOLT, SOCKET, 8MM	F9	53	13
BAND COMP., BATTERY	H2	78	10	BOLT, FLANGE, 6X14	D2	26	19	BOLT, STUD, 10X25	G1	61	22
BAND, AIR CLEANER CONNECTING				BOLT, FLANGE, 6X16	D4	28	11	BOLT, STUD, 8X22	D2	26	12
	TUBE	G7	67		D10	34	6	BOLT, SWINGARM PIVOT	G13	73	8
BAND, INSULATOR	D2	26	9		D13	37	15	BOOT B	F10	54	10
BAND, RESONATOR	G7	67	14		E2	42	16		F15	59	13
BAND, TOOL	G15	75	6		G8	68	19	BOOT COMP.	F5	49	6
BAR B, HANDLE	H6	82	6		G13	73	21		F13	57	4
BAR COMP., SIDE STAND	G12	72	4	BOLT, FLANGE, 6X18	D13	37	19	BOOT, HEADLIGHT STAY	H5	81	6
BAR COMP., STEP	G11	71	2	BOLT, FLANGE, 6X20	D13	37	20	BOOT, PIN BUSH	F10	54	9
BAR, L. MAIN STEP	G11	71	11		G5	65	10		F15	59	12
BAR, R. MAIN STEP	G11	71	8		G10	70	15	BOX, BATTERY	H2	78	9
BASE, LICENSE LIGHT	G15	75	4		H3	79	14	BRACKET SUB ASSY., RR.	F15	59	7
BATTERY	H2	78	1					BRACKET SUB ASSY., R. FR.	F10	54	14
BEARING, NEEDLE, 20X26X20	G13	73	18	BOLT, FLANGE, 6X22	D4	28	12	BRACKET, L. HANDLE LEVER	F3	47	17
BEARING, NEEDLE, 22X29X16.8	D8	32	7		D10	34	7	BRIDGE COMP., FORK TOP	F6	50	12
BEARING, RADIAL BALL, 12X32X10	D15	39	25		D11	35	10	BULB, HEADLIGHT	F1	45	5
BEARING, RADIAL BALL, 17X40X12	D15	39	24		F5	49	23	BULB, WEDGE BASE	F1	45	4
BEARING, RADIAL BALL, 17X42X12	D15	39	23		F8	52	5		H1	77	1
BEARING, RADIAL BALL, 20X47X14	D16	40	26		F14	58	28	BULB, WINKER	G16	76	7
BEARING, RADIAL BALL, 6003	D7	31	15	BOLT, FLANGE, 6X25	D7	31	11	BUSH, 17X20.5X8.0	D15	39	4
BEARING, RADIAL BALL, 6004UU	G1	61	18		F4	48	31		E2	42	1
BEARING, RADIAL BALL, 6301UU	F11	55	14		H5	81	14	BUSH, 20X23X10.8	D15	39	7
	F12	56	14	BOLT, FLANGE, 6X30	D6	30	12	[C]			
BEARING, RADIAL BALL, 6302UU	G1	61	17	BOLT, FLANGE, 6X32	F8	52	6	CABLE COMP., CHOKE	F3	47	2
BEARING, ROLLER, 30X58X17	D14	38	9	BOLT, FLANGE, 6X35	D9	33	10	CABLE COMP., CLUTCH	F3	47	3
BODY COMP., BYSTARTER	E3	43	16		D12	36	17	CABLE COMP., THROTTLE	F3	47	1
BODY COMP., FRAME	H4	80	1		G8	68	20	CABLE, BATTERY EARTH	H2	78	6
BOLT A, FR. FORK	F9	53	15	BOLT, FLANGE, 6X40	D6	30	13	CABLE, STARTER MAGNETIC			
BOLT, ADAPTER, 10MM	F3	47	23		D9	33	11		BATTERY	H2	78
BOLT, ADJUSTING	F1	45	7		D13	37	16	CABLE, STARTER MOTOR	H2	78	4
BOLT, CYLINDER STUD, 8X140	D13	37	8	BOLT, FLANGE, 6X45	D9	33	12	CALIPER SUB ASSY., RR.	F15	59	6
BOLT, DISK, 8X24	F11	55	12		D13	37	17	CALIPER SUB ASSY., R. FR.	F10	54	13
	F16	60	13	BOLT, FLANGE, 6X70	D13	37	18	CAMSHAFT COMP.	D3	27	2
BOLT, DRAIN PLUG, 12MM	D13	37	9	BOLT, FLANGE, 8X20	G11	71	16	CAP ASSY., NOISE SUPPRESSOR	H3	79	4
BOLT, DRIVE SPROCKET FIXING	D15	39	17	BOLT, FLANGE, 8X25	F10	54	15	CAP COMP., FUEL FILLER	G2	62	15
BOLT, FLANGE SOCKET, 6X22	D2	26	13		G3	63	36	CAP, 14MM	D9	33	5
BOLT, FLANGE, 10X110	H4	80	11		G4	64	10	CAP, 32MM	D9	33	6
BOLT, FLANGE, 10X16	G11	71	17	BOLT, FLANGE, 8X35	F7	51	8	CAP, BLEEDER	F10	54	4
BOLT, FLANGE, 10X48	G14	74	3		G10	70	14		F15	59	10
BOLT, FLANGE, 10X55	G9	69	14	BOLT, FLANGE, 8X36	F6	50	14	CAP, CHAIN CASE PEEP HOLE	G13	73	6
BOLT, FLANGE, 5X14	D2	26	11	BOLT, FLANGE, 8X85	H4	80	17	CAP, CHANGE SWITCH CONTACT	E1	41	12
BOLT, FLANGE, 6MM	G3	63	25	BOLT, FR. FORK	F9	53	14	CAP, LOCK NUT	F3	47	20
	G7	67	16	BOLT, HANDLE LEVER PIVOT	F3	47	24	CAP, MASTER CYLINDER	F5	49	9
	G15	75	8		F5	49	15		F13	57	8
	H2	78	14	BOLT, HEX., 5X25	H1	77	11	CAP, OIL FILTER ROTOR	D12	36	7
BOLT, FLANGE, 6X10	F13	57	18	BOLT, HEX., 6X12	G11	71	13	CAP, RR. FORK END	G13	73	7
								CARBURETOR ASSY.	E3	43	12

PART NAME INDEX

J 2

Part name	Address	Page	Ref.	Part name	Address	Page	Ref.	Part name	Address	Page	Ref.
CASE COMP., L. FR. BOTTOM	F9	53	12	COLLAR, FUEL TANK MOUNTING	G3	63	28	[D]			
CASE COMP., R. FR. BOTTOM	F9	53	6	COLLAR, HORN SETTING	H3	79	11	DAMPER SET, WHEEL	F16	60	1
CASE COMP., UNDER	F2	46	4	COLLAR, KICK SPRING	E2	42	10	DIAPHRAGM	F5	49	11
CASE COMP., UPPER	F2	46	3	COLLAR, LICENSE LIGHT	H1	77	9		F13	57	13
CASE SUB ASSY., AIR CLEANER	G7	67	8	COLLAR, MUFFLER MOUNTING	G9	69	8	DISK, CLUTCH FRICTION	D7	31	4
CASE, UNDER HALF DRIVE CHAIN	G13	73	2	COLLAR, RADIATOR MOUNTING	G5	65	1				
CASE, UPPER HALF DRIVE CHAIN	G13	73	1	COLLAR, RR. AXLE DISTANCE	F16	60	8	DISK, FR. BRAKE	F11	55	11
CENTER, CLUTCH	D7	31	3	COLLAR, RR. BRAKE SIDE	F16	60	6	DISK, RR. BRAKE	F16	60	12
CHAIN, CAM	D4	28	2	COLLAR, RR. WHEEL SIDE	F16	60	5	DOWEL PIN, 10X12	D2	26	16
CHAIN, DRIVE	G13	73	3	COLLAR, R. CRANKSHAFT	D14	38	5		D5	29	3
CHAMBER SET, FLOAT	E3	43	4	COLLAR, STARTER REDUCTION	D8	32	5	DOWEL PIN, 6X10	D2	26	17
CIRCLIP	F5	49	18	COLLAR, SWINGARM PIVOT	G13	73	9	DOWEL PIN, 8X14	D1	25	9
	F13	57	15	COLLAR, WINKER STAY	G9	69	9		D6	30	7
CIRCLIP, EXTERNAL, 14MM	E1	41	18	CONNECTOR, MASTER CYLINDER	F13	57	3		D9	33	7
CIRCLIP, EXTERNAL, 16MM	E2	42	14	COTTER, VALVE	D3	27	11		D12	36	14
CIRCLIP, EXTERNAL, 17MM	E2	42	15	COUNTERSHAFT COMP.	D15	39	2		D13	37	11
CLAMPER A, FR. BRAKE HOSE	F5	49	4	COVER A, L. SIDE	G6	66	3	DRIVER, SCREW	H6	82	1
CLAMPER A, SPEEDOMETER CORD	F11	55	9	COVER A, MUFFLER	G9	69	5	DRUM, GEARSHIFT	E1	41	5
CLAMPER B, FR. BRAKE HOSE	F5	49	5	COVER A, R. SIDE	G6	66	2	DUCT, AIR CLEANER	G7	67	6
CLAMPER B, SPEEDOMETER CORD	F11	55	10	COVER A, STARTER MAGNETIC				DUST SEAL, 20X26X4.5	G13	73	19
CLAMPER, A.C. GENERATOR CORD	D10	34	3					DUST SEAL, 21X37X7	F12	56	15
CLAMPER, RR. BRAKE HOSE	F13	57	1	COVER B, L. SIDE	H2	78	3	DUST SEAL, 31X40.5X7.1	G13	73	10
CLAMP, MASTER CYLINDER OIL HOSE	F13	57	9	COVER B, MUFFLER	G9	69	6	DUST SEAL, 40X50X5	F12	56	16
				COVER B, R. SIDE	G6	66	4	DUST SEAL, STEERING HEAD	F7	51	5
CLAMP, TUBE	G7	67	19	COVER COMP.	H1	77	5	[E]			
CLIP, 4X70	H1	77	15	COVER COMP., CYLINDER HEAD	D1	25	1	ELEMENT COMP., AIR CLEANER	G7	67	2
CLIP, BREATHER TUBE	G8	68	1	COVER COMP., L. RR.	D9	33	2	EMBLEM, L. WING	H8	84	4
				COVER COMP., R. CRANKCASE	D6	30	1	EMBLEM, PRODUCT	F6	50	13
CLIP, BUMPER SEAL	G3	63	26	COVER SUB ASSY., AIR CLEANER	G7	67	12	EMBLEM, R. WING	H8	84	3
	G15	75	9	COVER, COMBINATION SWITCH	F6	50	3	END, STEERING HANDLE	F3	47	12
CLIP, HARNESS	H4	80	6	COVER, HEADLIGHT RR.	H5	81	5				
CLIP, HEADLIGHT	F1	45	6	COVER, L. CRANKCASE	D9	33	1				
CLIP, HOSE	G8	68	13	COVER, L. HANDLE LEVER	F3	47	19				
CLIP, KICK STARTER ARM	G10	70	3	COVER, L. STEP	H4	80	10				
CLIP, PISTON PIN, 14MM	D14	38	10	COVER, RUBBER	F1	45	2	[F]			
CLIP, TUBE	E4	44	27	COVER, R. STEP	H4	80	9	FENDER, FR.	F8	52	1
	G3	63	32	COVER, STARTER MOTOR TERMINAL	H2	78	5	FENDER, RR.	G15	75	5
				COWL SET, L. SIDE	G5	65	4	FILM, TANK PROTECTOR	G2	62	7
				COWL SET, RR. CENTER	G5	65	2	FILTER, CUP	G2	62	6
	G7	67	17	COWL SET, R. SIDE	G5	65	3	FLANGE SUB ASSY., FINAL DRIVEN	F16	60	7
				COWL, FR.	H5	81	2	FLOAT SET	E3	43	3
				CRANKCASE COMP., L.	D13	37	3	FLYWHEEL COMP.	D10	34	1
	G8	68	16	CRANKCASE COMP., R.	D13	37	1	FORK ASSY., L. FR.	F9	53	11
	H2	78	16	CRANKSHAFT COMP.	D14	38	1	FORK ASSY., R. FR.	F9	53	1
CLIP, VALVE GUIDE	D2	26	6	CUP COMP., OIL	F13	57	6	FORK, CENTER GEARSHIFT	E1	41	2
CLUTCH ASSY., ONE WAY	D8	32	2	CUP SET, FUEL STRAINER	G2	62	4	FORK, GEARSHIFT	E1	41	1
COCK ASSY., FUEL	G2	62	2	CUSHION ASSY., RR.	G14	74	1	FUEL UNIT ASSY.	G2	62	17
COIL ASSY., IGNITION	H3	79	3	CUSHION A, COWL CENTER	G6	66	1	FUSE, BLADE	H2	78	18
COLLAR A, FR. FENDER	F8	52	3	CUSHION C, BATTERY	H2	78	11		H3	79	16
COLLAR, 10MM	D1	25	5	CUSHION, C.D.I. UNIT	H3	79	1				
COLLAR, 18.5MM	E2	42	3	CUSHION, FR. FUEL TANK	G2	62	13				
COLLAR, 20MM	D15	39	6	CUSHION, FUEL TANK RR.	G2	62	14	[G]			
COLLAR, 6.5X11X3	G11	71	3	CYLINDER COMP.	D5	29	1	GARNISH, L. FR.	H5	81	4
COLLAR, CHAIN CASE SETTING	G13	73	17	CYLINDER SET, MASTER	F5	49	13	GARNISH, R. FR.	H5	81	3
COLLAR, CUSHION RUBBER	G8	68	12	CYLINDER SUB ASSY., FR. BRAKE				GASKET B, HEAD COVER	D1	25	3
COLLAR, FAIRING SETTING	H1	77	8					GASKET C, HEAD COVER	D1	25	4
COLLAR, FR. AXLE DISTANCE	F11	55	4					GASKET SET	E3	43	1
COLLAR, FR. COWL	H5	81	11								
COLLAR, FR. WHEEL SIDE	F11	55	3								
				CYLINDER SUB ASSY., RR. BRAKE							
				C.D.I. UNIT	H3	79	2				

5

PART NAME INDEX

J 3

Part name	Address	Page	Ref.	Part name	Address	Page	Ref.	Part name	Address	Page	Ref.
GASKET, BYSTARTER	E3	43	21	HOLDER, R. STEP	G11	71	5	MUFFLER COMP., EX.	G9	69	3
GASKET, CYLINDER	D5	29	2	HORN COMP.	H3	79	10	[N]			
GASKET, CYLINDER HEAD	D2	26	7	HOSE COMP., FR. BRAKE	F5	49	2	NEEDLE SET, JET	E3	43	2
GASKET, EX. PIPE	G9	69	1	HOSE COMP., RR. BRAKE	F13	57	2	NUT-WASHER, 6MM	D11	35	7
GASKET, FLOAT CHAMBER	E3	43	18	HOSE, RR. MASTER CYLINDER	F13	57	7	NUT, CLIP, 4MM	G5	65	8
GASKET, HEAD COVER	D1	25	2	HOUSING, UNDER THROTTLE	F3	47	16		G15	75	12
GASKET, L. COVER	D9	33	4	HOUSING, UPPER THROTTLE	F3	47	15	NUT, CYLINDER HEAD	D2	26	14
GASKET, OIL FILTER CAP	D12	36	10	[I]				NUT, EXHAUST PIPE, 8MM	G9	69	11
GASKET, R. CRANKCASE COVER ...	D6	30	2	INSULATOR COMP., CARBURETOR ...	D2	26	8	NUT, FLANGE SPECIAL, 10MM	F16	60	14
GASKET, TENSIONER LIFTER	D4	28	6	[J]					G12	72	6
GAUGE, OIL LEVEL	D6	30	3	JET, MAIN, #112	E4	44	29		G14	74	4
GEAR COMP., OIL PUMP DRIVE ...	D12	36	2	JET, MAIN, #115	E4	44	29	NUT, FLANGE SPECIAL, 12MM	F11	55	13
GEAR COMP., STARTER DRIVEN ...	D8	32	1	JET, SLOW, #35	E3	43	20	NUT, FLANGE SPECIAL, 8MM	F6	50	17
GEAR, COUNTERSHAFT FIFTH	D15	39	14	JOINT, BRAKE ROD	F13	57	16	NUT, FLANGE, 10MM	F16	60	14
GEAR, COUNTERSHAFT FOURTH	D15	39	12	JOINT, DRIVE CHAIN	G13	73	4		G9	69	12
GEAR, COUNTERSHAFT LOW	D15	39	3	JOINT, TUBE	G2	62	8		G14	74	4
GEAR, COUNTERSHAFT SECOND	D15	39	8	[K]				NUT, FLANGE, 12MM	F11	55	13
GEAR, COUNTERSHAFT THIRD	D15	39	10	KEY SET	F6	50	1	NUT, FLANGE, 14MM	D10	34	4
GEAR, KICK STARTER IDLE	E2	42	7	KEY, BLANK	F6	50	4		F16	60	15
GEAR, MAINSHAFT FIFTH	D15	39	13	KEY, WOODRUFF, 4MM	D14	38	7	NUT, FLANGE, 5MM	H1	77	14
GEAR, MAINSHAFT FOURTH	D15	39	11	[L]				NUT, FLANGE, 6MM	F4	48	30
GEAR, MAINSHAFT SECOND	D15	39	5	LABEL, AIR CLEANER ELEMENT					F5	49	21
GEAR, MAINSHAFT THIRD	D15	39	9	NOTICE	H7	83	2		G3	63	31
GEAR, PRIMARY DRIVE	D14	38	6	LABEL, AIR INTAKE CAUTION	H7	83	3	NUT, FLANGE, 8MM	H4	80	15
GEAR, STARTER DRIVEN	D8	32	1	LABEL, DRIVE	H7	83	4	NUT, HEX., 10MM	F4	48	25
GEAR, STARTER REDUCTION	D8	32	3	LABEL, RR. DAMPER	G14	74	2	NUT, HEX., 6MM	G13	73	20
GRIP COMP., THROTTLE	F3	47	13	LABEL, TIRE & DRIVE CHAIN	H7	83	1	NUT, HEX., 8MM	F14	58	23
GRIP, L. HANDLE	F3	47	14	LENS COMP., L.	G16	76	4	NUT, LOCK, 14MM	D12	36	12
GRIP, RR.	G4	64	1	LENS COMP., R.	G16	76	2	NUT, RR. FENDER	G15	75	11
GROMMET, AIR CLEANER CASE	G3	63	23	LEVER COMP., CLUTCH	D6	30	4	NUT, SPECIAL FLANGE, 14MM	D7	31	12
	G5	65	6	LEVER COMP., L. HANDLE	F3	47	18	NUT, SPECIAL, 6MM	G13	73	14
	G11	71	12	LEVER, FUEL COCK	G2	62	5	NUT, SPRING, 5MM	G5	65	7
	G15	75	7	LEVER, R. STEERING HANDLE	F5	49	14		G13	73	16
	H4	80	7	LIFTER ASSY., TENSIONER	D4	28	5	NUT, SPRING, 6MM	H2	78	15
	H5	81	8	LIGHT ASSY., LICENSE	H1	77	4	NUT, STEERING STEM	F6	50	16
GROMMET, TAILLIGHT	H1	77	3	LOCK ASSY., SEAT	G15	75	3	NUT, TAPPET ADJUSTING	D3	27	13
GUIDE COMP., DRIVE CHAIN	D9	33	3	LOCK COMP., SEAT	G4	64	8	NUT, U, 5MM	G15	75	10
GUIDE, CAM CHAIN	D4	28	7	[M]							
GUIDE, CLUTCH OUTER	D7	31	2	MAINSHAFT COMP.	D15	39	1	OIL SEAL, 12X18X4	D6	30	8
GUIDE, DRAIN HOSE	H4	80	4	MARK, HONDA	H8	84	1	OIL SEAL, 14X22X5	D13	37	12
GUIDE, IN. VALVE	D2	26	3	MARK, SIDE COWL	H8	84	5	OIL SEAL, 16X28X7	D6	30	9
GUIDE, MAIN HARNESS	H4	80	2	MAT, AIR CLEANER	G7	67	10	OIL SEAL, 20X34X7	D16	40	27
GUIDE, VALVE	D2	26	2	METER ASSY., COMBINATION	F2	46	1	OIL SEAL, 28X42X7	G1	61	19
[H]				METER COMP., LCD	F2	46	2				
HARNESS, WIRE	H3	79	7	MIRROR COMP., L.	F3	47	22	O-RING	E3	43	10
HEADLIGHT UNIT	F1	45	1	MIRROR COMP., R.	F3	47	21	O-RING, 13.8X2.5	F9	53	20
HEAD COMP., CYLINDER	D2	26	1	MOTOR ASSY., STARTER	D11	35	1	O-RING, 14.8X2.4	D9	33	8
HOLDER COMP., CAMSHAFT	D2	26	4						F13	57	21
HOLDER SUB ASSY., AIR CLEANER	G7	67	11								
HOLDER, BRUSH	D11	35	5								
HOLDER, HANDLE UNDER	F6	50	7								
HOLDER, HANDLE UPPER	F6	50	6								
HOLDER, L. STEP	G11	71	10								
HOLDER, MASTER CYLINDER	F5	49	10								
HOLDER, NEEDLE JET	E3	43	19								



PART NAME INDEX

J 4

Part name	Address	Page	Ref.	Part name	Address	Page	Ref.	Part name	Address	Page	Ref.
O-RING, 18X3	D6	30	10	PLATE, DIAPHRAGM	F13	57	14	RUBBER, LICENSE LIGHT	H1	77	10
O-RING, 19.4X2.3	D13	37	13	PLATE, FR. ENGINE HANGER	H4	80	5	RUBBER, LOWER COWL MOUNTING ...	H5	81	7
O-RING, 1.5X9.5	D4	28	10	PLATE, FR. WINKER	G16	76	8	RUBBER, MAIN STEP	G11	71	6
O-RING, 24.4X3.1	D11	35	8	PLATE, HANDLE CUSHION	F6	50	11				
O-RING, 31.7X2.4	D9	33	9	PLATE, KICK STOPPER	E2	42	4	RUBBER, METER MOUNTING	F2	46	7
O-RING, 33.5X3.0	D2	26	18	PLATE, L. BEARING SETTING	D13	37	2	RUBBER, MOUNTING	D1	25	8
O-RING, 39.5X5	G3	63	29	PLATE, PILLION STEP SIDE	G11	71	9	RUBBER, MUFFLER MOUNTING	G9	69	7
O-RING, 4X2	D11	35	9	PLATE, STEP LOWER	G11	71	4	RUBBER, PROTECTOR MOUNTING ...	G9	69	4
O-RING, 51X2	G1	61	21	PLATE, STOPPER	D2	26	5	RUBBER, PROTECTOR PACKING	G9	69	2
O-RING, 9.8X2.8	G8	68	14	PLATE, TENSIONER SETTING	D4	28	4	RUBBER, SEAT CUSHION	G4	64	6
OUTER COMP., CLUTCH	D7	31	1	PLUG, BEARING PUSH	D13	37	4	RUBBER, SHOCK	H2	78	8
				PLUG, PIN	F15	59	14	RUBBER, SIDE COVER	G5	65	5
[P]				PLUG, SPARK	D2	26	10	RUBBER, STIFFENER	H4	80	3
PACKING, FUEL STRAINER CUP ...	G2	62	1	PROTECTOR	F5	49	8	RUBBER, TAILLIGHT BRACKET	H3	79	8
PACKING, LENS	H1	77	6	PUMP ASSY., OIL	D12	36	1				
PAD SET, FR.	F10	54	2	[R]				[S]			
PAD SET, RR.	F15	59	1	RACE, STEERING BALL	F7	51	2	SCREEN SET, FUEL STRAINER	G2	62	3
PEDAL COMP., RR. BRAKE	G10	70	9	RACE, STEERING BOTTOM CONE ...	F7	51	4	SCREEN, OIL FILTER	D12	36	5
PEDAL, GEAR CHANGE	G10	70	1	RACE, STEERING TOP BALL	F7	51	2	SCREW-WASHER, 4X12	F5	49	20
PIECE, OIL LOCK	F9	53	7	RACE, STEERING TOP CONE	F7	51	2				
PINION, KICK STARTER	E2	42	2	RACE, STEERING TOP CONE	F7	51	3	SCREW-WASHER, 5X12	E4	44	26
PIN B, DOWEL, 6X10	D2	26	17	RATCHET, STARTER	E2	42	5	SCREW-WASHER, 5X16	G7	67	21
PIN D, JOINT	F14	58	26	RECEIVER, CLUTCH CABLE	D6	30	6	SCREW-WASHER, TORX	E3	43	11
PIN, HANGER	F10	54	11	RECTIFIER ASSY., SILICON	H3	79	6	SCREW SET A	E3	43	5
	F15	59	8	RECTIFIER COMP., REGULATOR ...	H3	79	5	SCREW SET B	E3	43	6
PIN, LOCK, 8MM	D12	36	16	REFLECTOR, REFLEX	G15	75	1	SCREW, BLEEDER	F10	54	3
PIN, MAIN STEP BAR JOINT	G11	71	1	RELAY COMP., POWER	F3	47	10				
PIN, PISTON	D14	38	4	RELAY COMP., WINKER	F3	47	8	SCREW, FLAT, 4X12	F5	49	19
PIN, SHIFT RETURN SPRING	E1	41	11	RESISTOR COMP.	H3	79	9	SCREW, FLAT, 4X45	F13	57	10
PIN, SPLIT, 2.0X15	F14	58	24	RESONATOR	G7	67	13	SCREW, HINGE PATCH	G6	66	6
	G11	71	15	RESONATOR, AIR SUCTION VALVE ..	G8	68	3				
PIN, SPLIT, 3.0X30	G10	70	13	RETAINER	F15	59	5				
	G12	72	8	RETAINER, GEAR BOX	F11	55	6	SCREW, OVAL, 5X12	D12	36	15
PIN, SPRING, 2X10	F14	58	25	RETAINER, VALVE SPRING	D3	27	9	SCREW, PAN, 4X12	E3	43	24
PIN, SPRING, 3X10	D6	30	11	RING	D11	35	6				
PIPE COMP., AIR FEED	G8	68	9	RING SET, PISTON	D14	38	2	SCREW, PAN, 4X16	G3	63	30
PIPE COMP., FR. FORK	F9	53	3	RING, BACK UP	F9	53	4				
PIPE, SEAT	F9	53	9	RING, OIL SEAL STOPPER	F9	53	18	SCREW, PAN, 4X32	F4	48	26
PIPE, STEERING HANDLE	F6	50	5	RING, PISTON	F9	53	8	SCREW, PAN, 4X45	F4	48	27
PISTON	D14	38	3	RING, STOPPER	F10	54	7	SCREW, PAN, 4X8	E3	43	23
	F10	54	5		F15	59	11	SCREW, PAN, 5X12	E4	44	25
	F15	59	3	ROD COMP., PUSH	F13	57	12	SCREW, PAN, 5X14	G3	63	27
PISTON COMP., VACUUM	E3	43	14	ROD, CLUTCH LIFTER	D7	31	9				
PISTON SET, MASTER CYLINDER ..	F13	57	11	ROD, SWITCH EXTENSION	F2	46	6	SCREW, PAN, 5X20	F4	48	28
PIVOT, SHIFT DRUM STOPPER ARM ..	E1	41	15	ROLLER, 3X8.5	E1	41	19	SCREW, PAN, 5X22	F4	48	29
PLATE A2, FIXING	D15	39	16	ROTOR, OIL FILTER	D12	36	6	SCREW, PAN, 6X12	G9	69	10
PLATE ASSY., REFLECTING	F2	46	5	ROTOR, OIL PUMP INNER	D12	36	3	SCREW, PAN, 6X6	D4	28	8
PLATE COMP., GEARSHIFT DRUM				ROTOR, OIL PUMP OUTER	D12	36	4	SCREW, SIDE STAND PIVOT	G12	72	5
	STOPPER	E1	41	RUBBER A, SEAT SETTING	G4	64	4	SCREW, TAPPET ADJUSTING	D3	27	12
PLATE SET, VALVE	E3	43	7					SCREW, TAPPING, 4X12	G5	65	9
PLATE, AIR SUCTION VALVE				RUBBER B, STAND STOPPER	G12	72	9				
	SETTING	G8	68	RUBBER, CHANGE PEDAL	G10	70	2				
PLATE, BEARING HOLDER	D13	37	10	RUBBER, CUSHION	G8	68	5				
PLATE, BEARING PUSH	D13	37	6	RUBBER, FR. FENDER MOUNTING ...	F8	52	4	SCREW, TAPPING, 4X16	F2	46	10
PLATE, CLUTCH	D7	31	6		H1	77	7				
PLATE, CLUTCH LIFTER	D7	31	8	RUBBER, HANDLE CUSHION UNDER ..	F6	50	10				
PLATE, CLUTCH PRESSURE	D7	31	7	RUBBER, HANDLE CUSHION UPPER ..	F6	50	8	SCREW, TAPPING, 4X8	D12	36	11
PLATE, DIAPHRAGM	F5	49	12	RUBBER, KICK STARTER	G10	70	5	SCREW, TAPPING, 5X12	F2	46	9

5

PART NAME INDEX

J 5

Part name	Address	Page	Ref.	Part name	Address	Page	Ref.	Part name	Address	Page	Ref.
SCREW, TAPPING, 5X12	F6	50	20	SPROCKET COMP., FINAL DRIVEN ..	F16	60	2	VALVE, EX.	D3	27	6
	G6	66	8	SPROCKET, CAM	D4	28	1	VALVE, IN.	D3	27	5
	G15	75	14	STAND COMP., MAIN	G12	72	1	VALVE, RIM	F11	55	1
	H5	81	13	STATOR COMP.	D10	34	2		F16	60	11
SCREW, TAPPING, 5X20	G7	67	22	STAY COMP., FR. BRAKE HOSE	F5	49	3	VISOR SET, FR.	H5	81	1
SCREW, U-LOCK FLAT, 6X12	F6	50	15	STAY, FR. FENDER	F8	52	2				
SEAL A, AIR CLEANER	G7	67	5	STAY, HELMET HOLDER	G4	64	2	[W]			
SEAL SET, FR. FORK	F9	53	10	STAY, L. SHROUD	G3	63	21	WASHER B, HANDLE HOLDER			
SEAL SET, PISTON	F10	54	1	STAY, OIL CUP	F13	57	17	SETTING	F2	46	8
	F15	59	2	STAY, RR. WINKER	G16	76	9	WASHER B, THRUST, 20MM	D15	39	19
SEAL, AIR CLEANER COVER	G7	67	3	STAY, R. SHROUD	G2	62	19	WASHER, 10.3MM	F9	53	16
				STAY, WIRE	E3	43	15	WASHER, 14MM	E1	41	17
SEAL, DUST	F9	53	19	STEM SUB ASSY., STEERING	F7	51	6	WASHER, 14.1X29X2.8	D7	31	14
SEAL, VALVE STEM	D3	27	1	STOPPER COMP., GEARSHIFT DRUM ..	E1	41	7		D10	34	5
SEAT COMP., DOUBLE	G4	64	3	SUSPENSION, POWER RELAY	F3	47	11	WASHER, 14.2X26X3	D12	36	13
SEAT, VALVE SPRING	D3	27	10	SUSPENSION, WINKER RELAY	F3	47	9	WASHER, 15.5X22	G10	70	11
SENSOR ASSY., SPEED	F11	55	8	SWINGARM SUB ASSY., RR.	G13	73	12	WASHER, 17X22	G10	70	12
SENSOR ASSY., THROTTLE	E3	43	22	SWITCH ASSY., COMBINATION &					G12	72	7
SET RING, 20MM	D15	39	22	LOCK	F6	50	2	WASHER, AIR SUCTION VALVE	G8	68	11
SHAFT A, GEARSHIFT FORK	E1	41	3	SWITCH ASSY., FR. STOP	F5	49	1	WASHER, DRAIN PLUG, 12MM	D13	37	14
SHAFT B, GEARSHIFT FORK	E1	41	4	SWITCH ASSY., RR. STOP	G10	70	7	WASHER, DRUM STOPPER	E1	41	16
SHAFT, MAIN STAND PIVOT	G12	72	3	SWITCH ASSY., STARTER	F3	47	5	WASHER, HANDLE HOLDER	F6	50	9
SHAFT, REDUCTION GEAR	D8	32	4	SWITCH ASSY., STARTER MAGNETIC ..	H2	78	7	WASHER, HANDLE UNDER HOLDER ..	F6	50	19
SHAFT, ROCKER ARM	D3	27	4	SWITCH ASSY., WINKER	F3	47	6	WASHER, LOCK, 6MM	F1	45	8
SHROUD, CENTER	G3	63	22	SWITCH COMP., FR. LEVER	F3	47	7	WASHER, OIL BOLT	F5	49	17
SHROUD, L.	G3	63	20	SWITCH SET, NEUTRAL	D13	37	7		F13	57	20
SHROUD, R.	G2	62	18					WASHER, PLAIN, 10MM	G9	69	13
SLEEVE, RR. WHEEL	F16	60	4	[T]				WASHER, PLAIN, 12MM	D2	26	15
SLIDER, CHAIN	G13	73	11	TAILLIGHT UNIT	H1	77	2	WASHER, PLAIN, 17MM	D7	31	13
SOCKET COMP., POSITION LIGHT ..	F1	45	3	TANK SUB ASSY., FUEL	G2	62	10	WASHER, PLAIN, 8MM	G11	71	14
SPANNER, 10X12	H6	82	4	TENSIONER ASSY., CAM CHAIN	D4	28	3	WASHER, RR. AXLE	G1	61	16
SPANNER, 14X17	H6	82	5	TERMINAL SET, BRUSH	D11	35	2	WASHER, SEALING, 6.2X12X1.2 ..	D1	25	7
SPINDLE COMP., GEARSHIFT	E1	41	9	THREAD COMP., STEERING HEAD				WASHER, SPECIAL, 14MM	E2	42	13
SPINDLE, KICK STARTER	E2	42	8	TOP	F7	51	7	WASHER, SPECIAL, 8MM	F9	53	17
SPRING A, SIDE STAND	G12	72	10	THROUGH, OIL	D12	36	8	WASHER, SPLINE, 20MM	D15	39	18
SPRING, BEARING PUSH	D13	37	5	TIRE, FR.	F11	55	7	WASHER, STEERING STEM	F6	50	18
SPRING, BRAKE PEDAL	G10	70	10	TIRE, RR.	F16	60	10	WASHER, THRUST, 12MM	D15	39	20
SPRING, CARBON BRUSH	D11	35	3	TOP	E3	43	13	WASHER, THRUST, 16MM	E2	42	11
SPRING, CHANGE SWITCH CONTACT ..	E1	41	13	TUBE ASSY., BREATHER	G2	62	12	WASHER, THRUST, 17MM	D15	39	21
SPRING, CLUTCH	D7	31	10	TUBE A, AIR SUCTION VALVE	G8	68	7		E2	42	12
SPRING, CLUTCH LEVER	D6	30	5	TUBE B, AIR SUCTION VALVE	G8	68	8	WASHER, WAVE	F10	54	12
SPRING, COMPRESSION COIL	E3	43	9	TUBE, 4.5X510	E4	44	28	WHEEL SUB ASSY., FR.	F11	55	5
SPRING, FR. FORK	F9	53	2	TUBE, 8X55	G8	68	17	WHEEL SUB ASSY., RR.	F16	60	9
SPRING, GEARSHIFT RETURN	E1	41	10	TUBE, AIR CLEANER CONNECTING ..	G7	67	7	WINKER ASSY., L. FR.	G16	76	3
SPRING, KICK RETURN	E2	42	9	TUBE, AIR SUCTION VALVE	G8	68	10	WINKER ASSY., L. RR.	G16	76	6
SPRING, KICK STARTER	G10	70	6	TUBE, AIR VENT	G7	67	1	WINKER ASSY., R. FR.	G16	76	1
SPRING, LOCK KEY SETTING	G15	75	2	TUBE, BATTERY TRAY	H2	78	12	WINKER ASSY., R. RR.	G16	76	5
SPRING, MAIN STAND	G12	72	2	TUBE, BREATHER	G2	62	11	WRENCH, HEX., 5MM	H6	82	3
SPRING, OIL THROUGH	D12	36	9		G7	67	15	WRENCH, SPARK PLUG	H6	82	2
SPRING, PAD	F10	54	6	TUBE, FUEL	G2	62	16				
	F15	59	4	TUBE, FUEL DRAIN	G2	62	9				
SPRING, RATCHET	E2	42	6	TUBE, VINYL, 11X15X40	G7	67	9				
SPRING, REBOUND	F9	53	5					[V]			
SPRING, SEAT LOCK	G4	64	7	VALVE ASSY., AIR SUCTION	G8	68	6	VALVE COMP., FLOAT	E3	43	17
SPRING, SHIFT DRUM STOPPER	E1	41	8	VALVE SET, STARTER	E3	43	8				
SPRING, STOP SWITCH	G10	70	8								
SPRING, VALVE INNER	D3	27	8								
SPRING, VALVE OUTER	D3	27	7								
SPROCKET COMP., DRIVE	D15	39	15								

1

FOREWORD INDEX

2

ENGINE GROUP

3

FRAME GROUP

4

PART NUMBER INDEX

5

PART NAME INDEX

HONDA
The Power of Dreams



PARTS CATALOGUE NEWS

Honda Motor Co., Ltd.
Customer Service Technology Development Division

PARTS CATALOGUE - CORRECTED

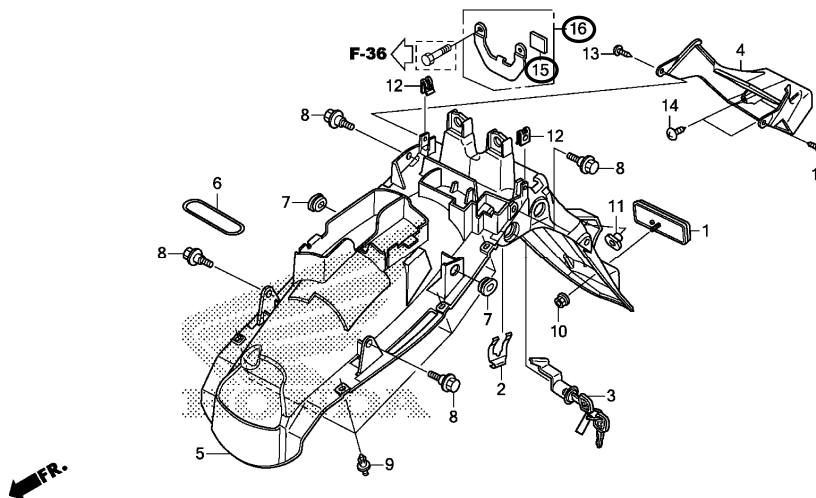
Printed in Japan

CODE NO.	15K21E01
PARTS CATALOGUE NEWS	CBF150M CBF150ME
NEWS NO.	001

(ID-KD)K21

Block No.	Ref. No.	Note	Part No.	Description	Reqd. QTY	Serial No.	Parts catalogue code
					CBF150ME		

F-34 REAR FENDER



K215F3400A

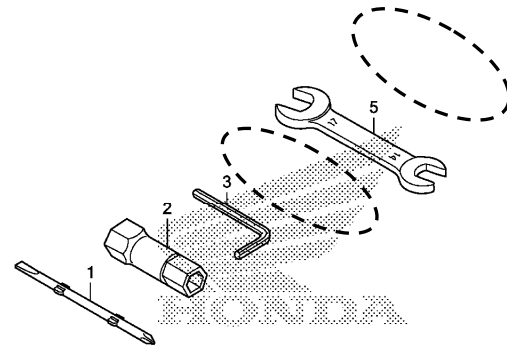
F-34	15	D	50386-130-690	CUSHION C, BATTERY	1		
	16	D	80111-K21-900	PLATE, TAILLIGHT	1		

NOTE A:PART NO. CHANGE D:NEWLY PROVIDED E:PART NO.DELETION K:REQUIRED NO. CORRECTION L:APPLICATION SERIAL NO. CORRECTION
M:PART DESCRIPTION CORRECTION T:APPLICATION CORRECTION Z:REMARKS CHANGE

PARTS CATALOGUE NEWS

BOOKNo. : 15K21E01

Block No.	Ref. No.	Note	Part No.	Description	Reqd. QTY CBF 150M E	Serial No.	Parts catalogue code
F-48			TOOLS				



K215F4800A

F-48	4	E	89225-KPL-900	*PARTS NO. DELETION			
	6	E	99005-02000	*PARTS NO. DELETION			

NOTE A:PART NO. CHANGE D:NEWLY PROVIDED E:PART NO. DELETION K:REQUIRED NO. CORRECTION L:APPLICATION SERIAL NO. CORRECTION
M:PART DESCRIPTION CORRECTION T:APPLICATION CORRECTION Z:REMARKS CHANGE



PARTS CATALOGUE NEWS

Honda Motor Co., Ltd.
Customer Service Technology Development Division

PARTS CATALOGUE - CORRECTED

Printed in Japan

CODE NO.	15K21E01
PARTS CATALOGUE NEWS	CBF150M CBF150ME
NEWS NO.	002

(ID-KD)K21

Block No.	Ref. No.	Note	Part No.	Description	Reqd. QTY CBF150M E	Serial No.	Parts catalogue code
E-19	10	E	24651-KSP-910	*PARTS NO. DELETION			
		A	24651-KRM-840	SPRING, GEARSHIFT RETURN	1		
F-1	1	E	33120-K21-910	*PARTS NO. DELETION			
		A	33120-K21-901	HEADLIGHT UNIT	1		
	3	E	33150-K21-910	*PARTS NO. DELETION			
		A	33150-K21-901	SOCKET COMP., POSITION LIGHT	1		
	4	E	33301-KYJ-901	*PARTS NO. DELETION			
		A	33301-SAO-741	BULB(12V 5W) (STANLEY)	1		
		A	34903-KRP-980	BULB, POSITION LIGHT (12V 5W)	1		
5	D	34901-KFV-671	BULB, HEADLIGHT(HS1) (12V 35/35W)	1			
F-34	8	E	90111-162-000	*PARTS NO. DELETION			
		A	90133-KPP-T00	SCREW, PAN, 6X14	4		

NOTE A:PART NO. CHANGE D:NEWLY PROVIDED E:PART NO.DELETION K:REQUIRED NO. CORRECTION L:APPLICATION SERIAL NO. CORRECTION
M:PART DESCRIPTION CORRECTION T:APPLICATION CORRECTION Z:REMARKS CHANGE